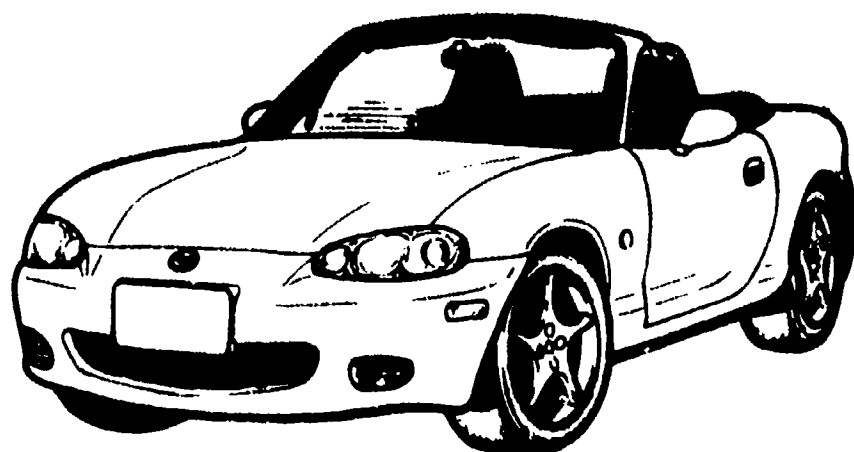


Parts Catalog

Mazda MX-5 MIATA U.S.A. & Canada ('01 ▶)



NB35 * -200001-

Jan. '02 (REVISED)

Catalog No. AU-NA08-04

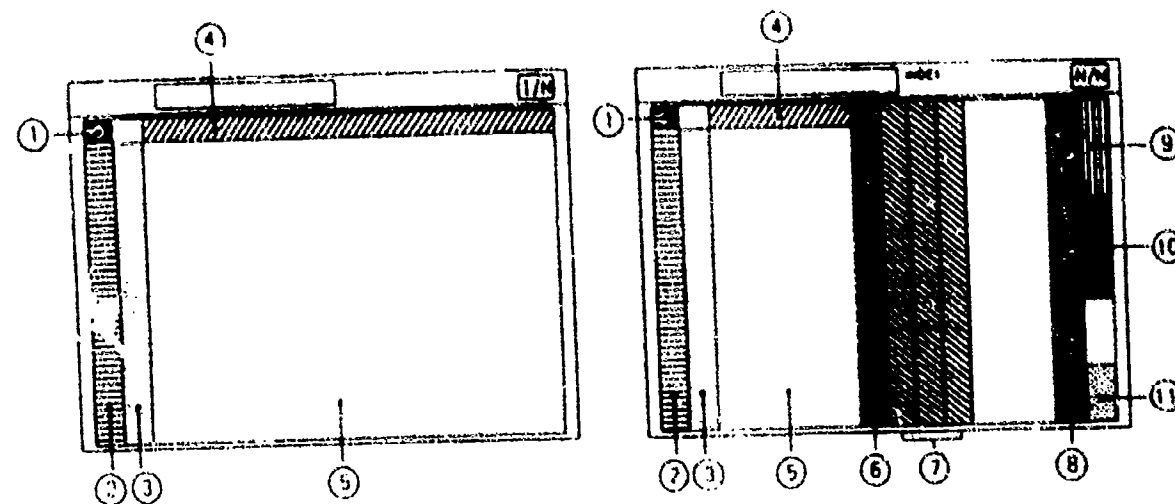


MAZDA

© 2002 Mazda Motor Corporation

LAYOUT OF CONTENTS / DISPOSITION TYPOGRAPHIQUE DE CONTENU / DISPOSICION DEL CONTENIDO / ANORDNUNG DES INHALTS

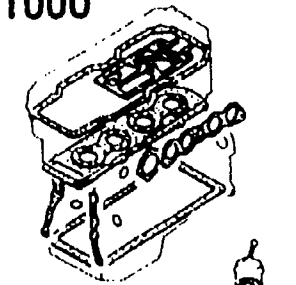
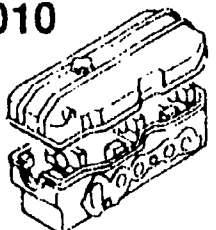
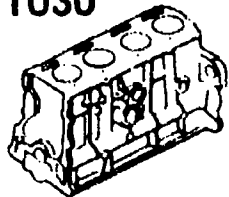
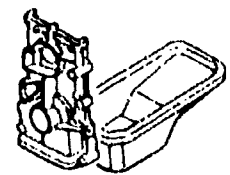
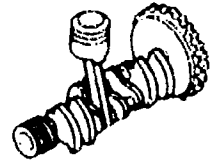
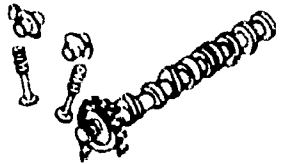
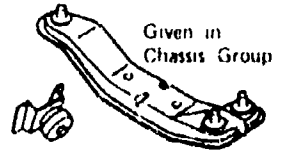
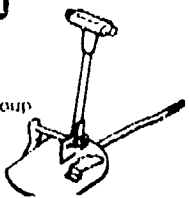
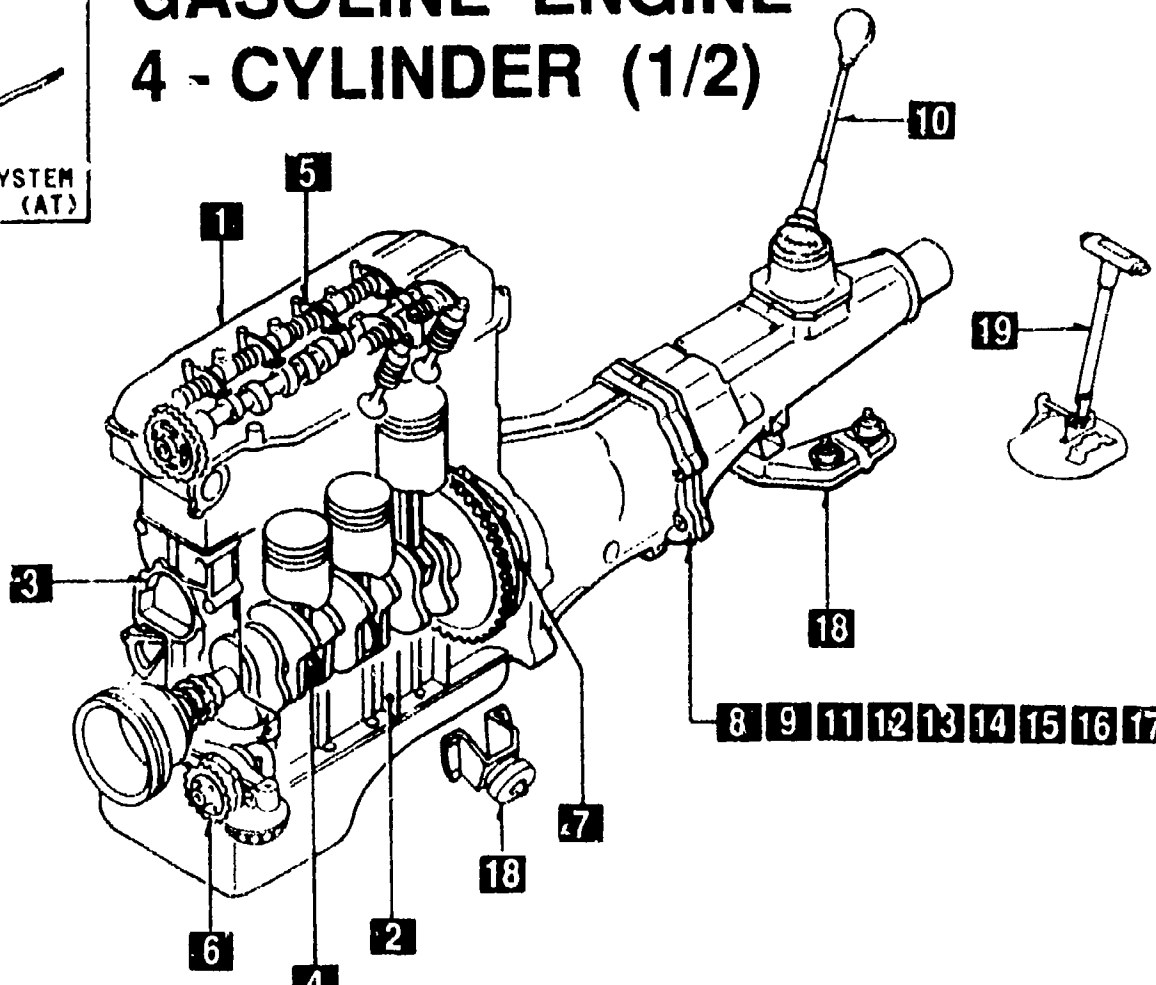
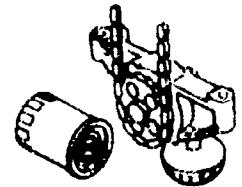
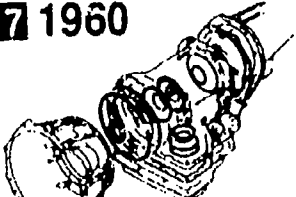
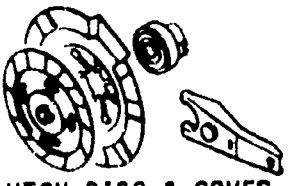

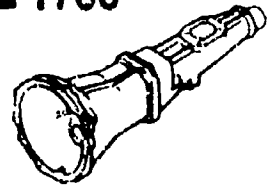
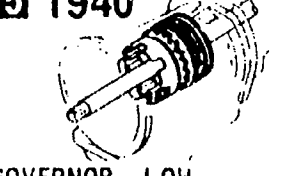
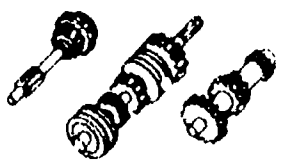
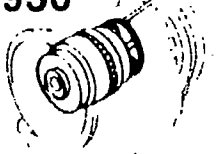

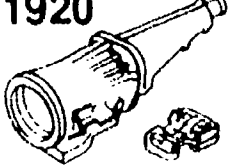

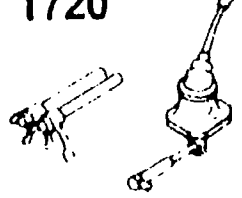
- The following is a typical example of the layout of contents on Mazda microfiche parts catalog.
- Voici un exemple typique de la disposition typographique de contenu dans les microfiches de catalogue des pièces de Mazda.
- El siguiente es un ejemplo típico de la disposición del contenido en una microficha del catálogo de repuestos de Mazda.
- Folgendes ist ein typisches Beispiel der Inhaltsanordnung des Mazda Mikrofiche Teilekatalogs.



Remark : The items listed under ④ have been deleted from each fiche since Dec. '93

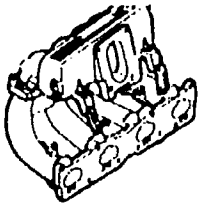
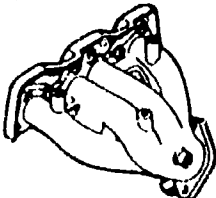
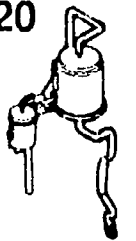
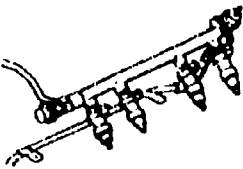
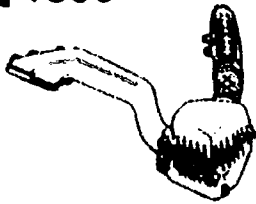
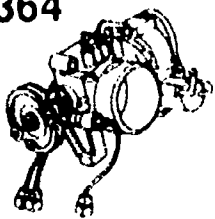
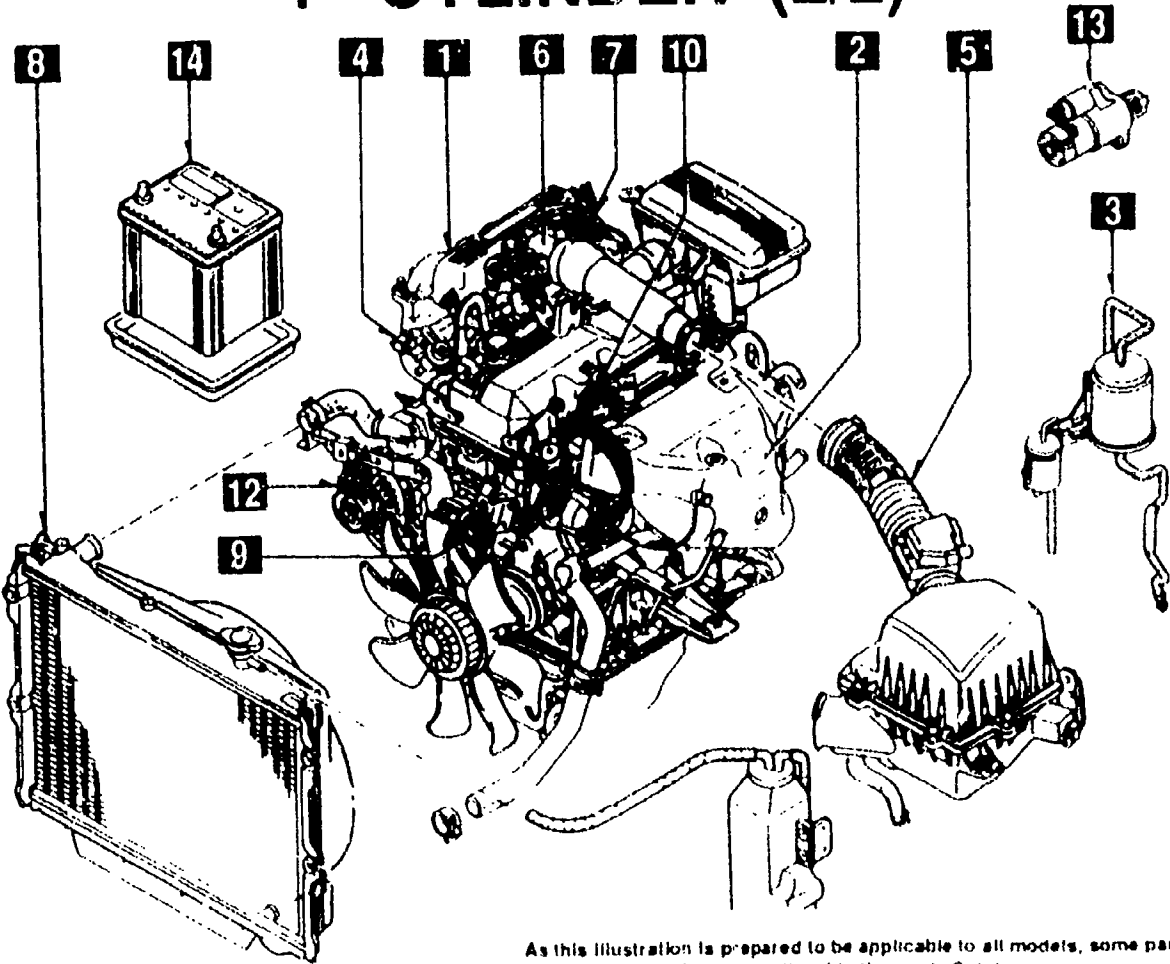

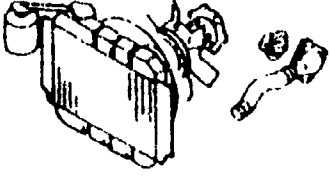
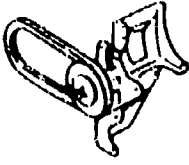
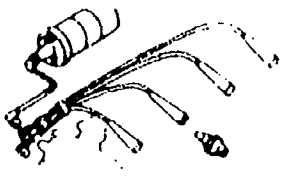
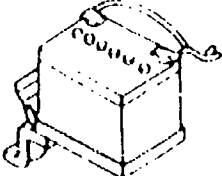
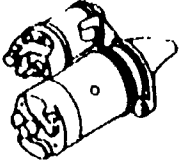
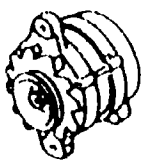
- | | | |
|---|---|---|
| ① • Layout of contents
• Disposition Typographique de Contenu
• Disposición del contenido
• Anordnung des Inhalts | ② • Pictorial Index
• Index par Schémas
• Índice Gráfico
• Illustrierter Index | ③ • Master Section /to Index
• Index des Numéros des Sections Totale
• Índice del Número de la Sección Maestra
• Hauptabschnittsnummer-Index |
| ④ • Section No. Index for the Column
• Index des Numéros des Sections pour les Colonnes
• N° de la Sección para el Índice
• Abschnittsnummer-Index für die Spalten | ⑤ • Illustration & Text
• Illustrations et Textes
• Ilustración y Texto
• Abbildung und Text | ⑥ • Part No. Index
• Index des Numéros des Pièces
• Índice del N° de Pieza
• Teile-Nr. Index |
| ⑦ • Alphabetical Index
• Index Alphabétique
• Índice Alfabético
• Alphabetischer Index | ⑧ • Model Identification
• Identification des Modèles
• Identificación del Modelo
• Modell Kennzeichnung | ⑨ • Vehicle Identification System
• Système d'Identification de Véhicule
• Sistema de Identificación de Vehículo
• Fahrzeug Identifikations system |

PICTORIAL INDEX

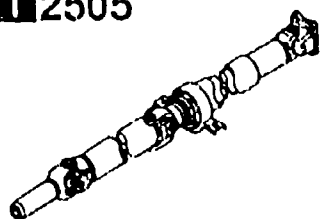
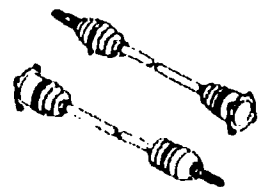


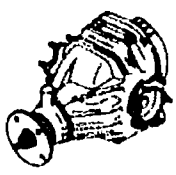
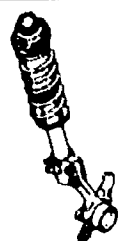
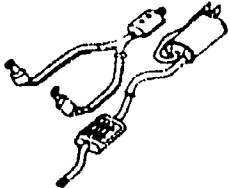
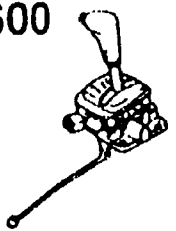
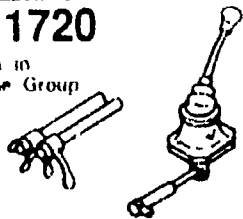
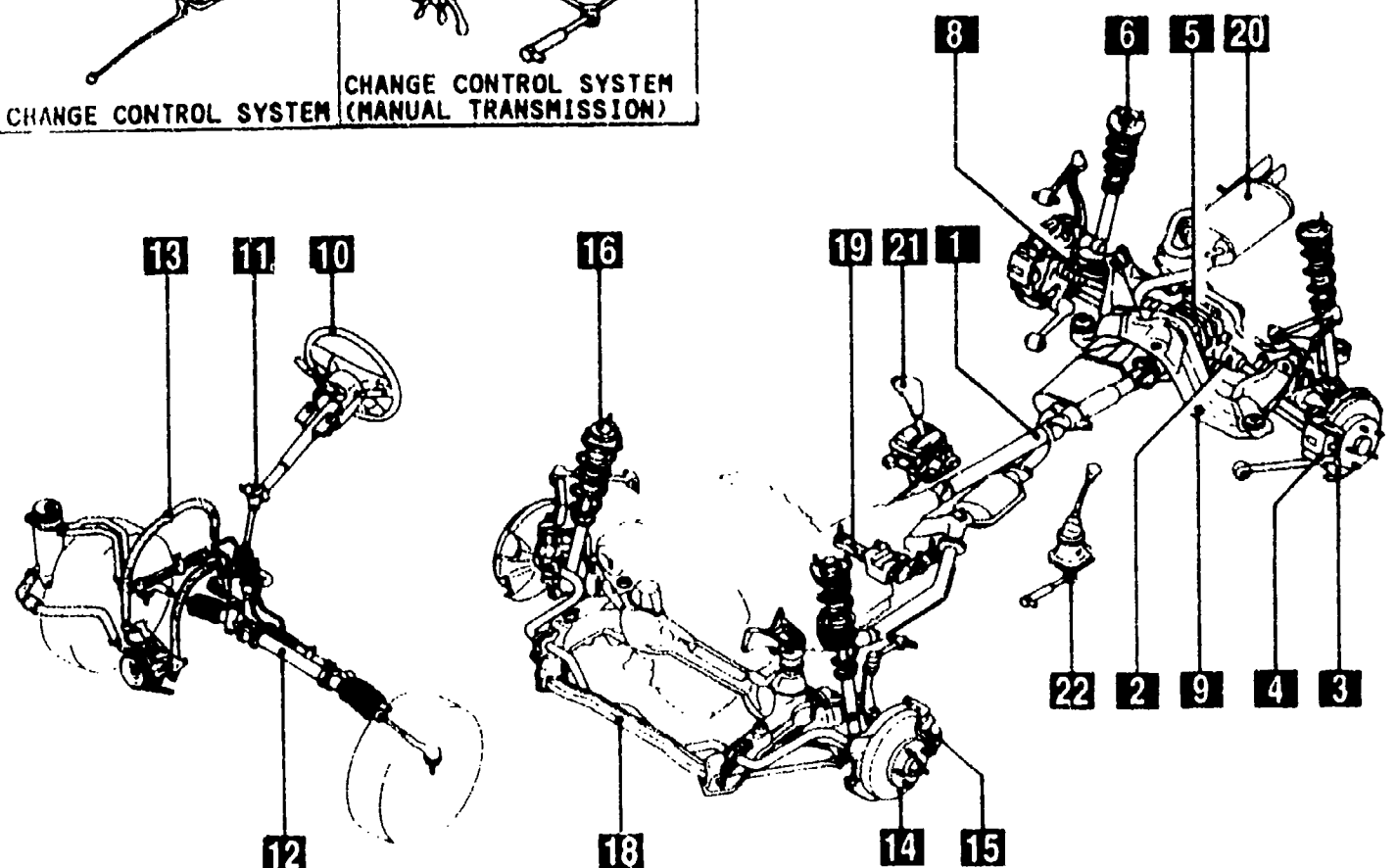


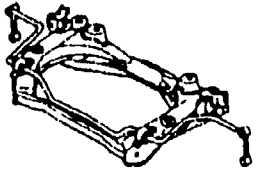


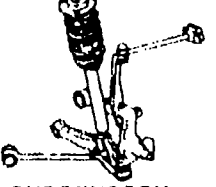



<p>1000</p>  <p>ENGINE & GASKET SET'S</p>	<p>1 1010</p>  <p>CYLINDER HEAD & COVER</p>	<p>2 1030</p>  <p>CYLINDER BLOCK</p>	<p>3 1040</p>  <p>OIL PAN & TIMING COVER</p>	<p>4 1100</p>  <p>PISTON, CRANKSHAFT & FLYWHEEL</p>	<p>5 1200</p>  <p>VALVE SYSTEM</p>
<p>18 3900</p> <p>Given in Chassis Group</p>  <p>ENGINE & T/MISSION MOUNTINGS</p>	<p>19 4600</p> <p>Given in Chassis Group</p>  <p>CHANGE CONTROL SYSTEM (AT)</p>	<p style="text-align: center;">GASOLINE ENGINE 4 - CYLINDER (1/2)</p> 			<p>6 1400</p>  <p>OIL PUMP & FILTER</p>
<p>17 1960</p>  <p>GASKET & SEAL KIT (AUTOMATIC)</p>					<p>7 1600</p>  <p>CLUTCH DISC & COVER (MANUAL)</p>
<p>16 1950</p>  <p>MANUAL LINKAGE SYSTEM (AUTOMATIC)</p>					<p>8 1700</p>  <p>TRANSMISSION CASE (MANUAL)</p>
<p>15 1940</p>  <p>GOVERNOR, LOW & REVERSE PISTON (AUTOMATIC)</p>					<p>9 1710</p>  <p>TRANSMISSION GEARS (MANUAL)</p>
	<p>14 1930</p>  <p>CLUTCHES & PLANETARY GEARS (AUTOMATIC)</p>	<p>13 1925</p>  <p>CONTROL VALVE (AUTOMATIC)</p>	<p>12 1920</p>  <p>TRANSMISSION CASE & MAIN CONTROL SYSTEM (AUTOMATIC)</p>	<p>11 1910</p>  <p>TORQUE CONVERTER, OIL PUMP & PIPINGS (AUTOMATIC)</p>	<p>10 1720</p>  <p>CHANGE CONTROL SYSTEM (MANUAL)</p>

As this illustration is prepared to be applicable to all models, some parts are different in specifications from parts listed in this parts Catalog.

PICTORIAL INDEX

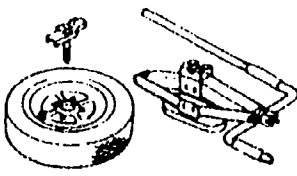

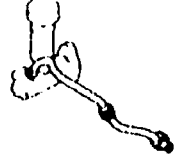

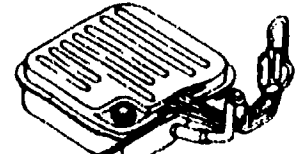
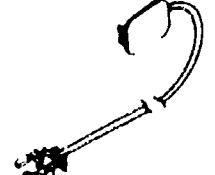
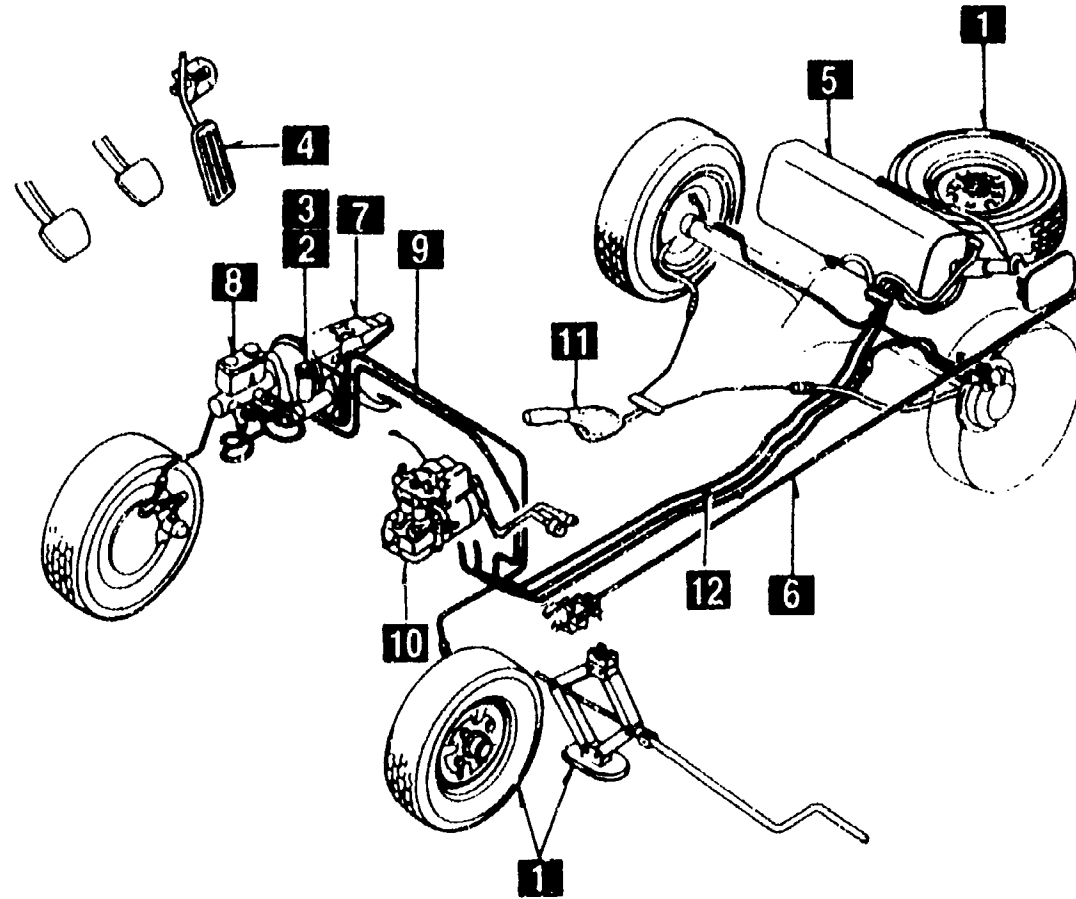
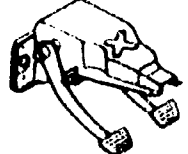
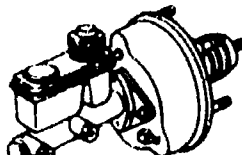




1 1300  INLET MANIFOLD	2 1310  EXHAUST MANIFOLD	3 1320  FUEL SYSTEM	4 1325  FUEL DISTRIBUTOR	5 1330  AIR CLEANFR	6 1364  THROTTLE BODY	
<h2>GASOLINE ENGINE 4 - CYLINDER (2/2)</h2>  <p>As this illustration is prepared to be applicable to all models, some parts are different in specifications from parts listed in this parts Catalog</p>						7 1370  EMISSION CONTROL SYSTEM (INLET SIDE)
						8 1500  COOLING SYSTEM
						9 1580  BRACKET, PULLEY & BELT
						10 1800  ENGINE ELECTRICAL SYSTEM
						14 1850  BATTERY
						13 1840  STARTER
						12 1830  ALTERNATOR
						11

PICTORIAL INDEX

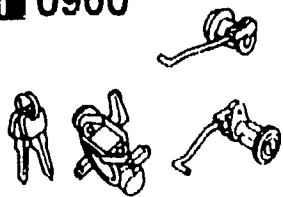

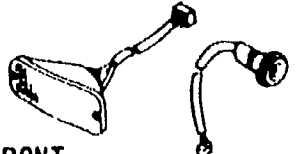

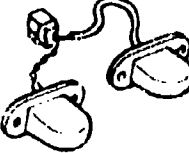
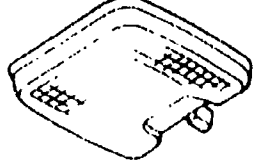
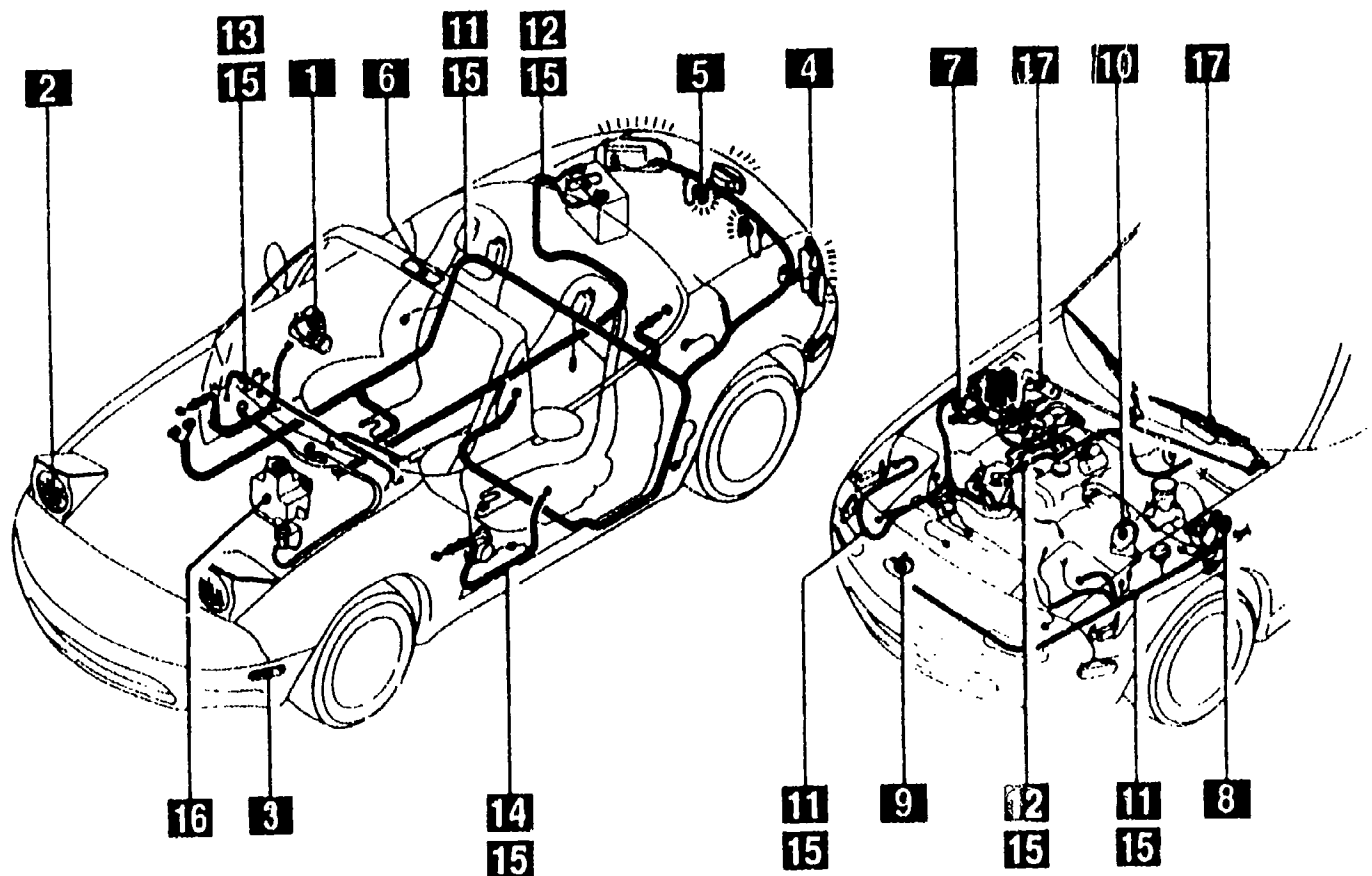

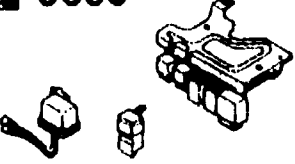
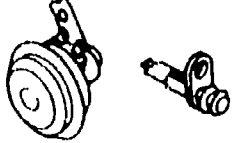
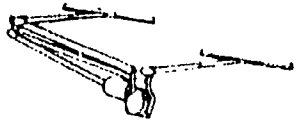
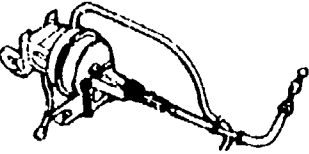
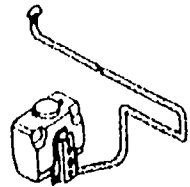





<p>1 2505</p>  <p>REAR PROPELLER SHAFT</p>	<p>2 2550</p>  <p>REAR DRIVE SHAFT</p>	<p>3 2600</p>  <p>REAR AXLE</p>	<p>4 2610</p>  <p>REAR BRAKE MECHANISMS</p>	<p>5 2710</p>  <p>REAR DIFFERENTIALS</p>	<p>6 2800</p>  <p>REAR SUSPENSION MECHANISMS</p>	
<p>20 4000</p>  <p>EXHAUST SYSTEM</p>	<p>21 4600</p>  <p>CHANGE CONTROL SYSTEM (MANUAL TRANSMISSION)</p>	<p>22 1720 Given in Engine Group</p>  <p>CHANGE CONTROL SYSTEM (MANUAL TRANSMISSION)</p>	<h2 style="font-size: 2em;">CHASSIS (1/2)</h2> 			<p>7</p>
<p>19 3900</p>  <p>ENGINE & T/MISSION MOUNTINGS</p>				<p>8 2810</p>  <p>REAR STABILIZER</p>		
<p>18 3410</p>  <p>CROSSMEMBER & STABILIZER</p>				<p>9 2830</p>  <p>REAR LOWER ARMS & SUB FRAME</p>		
<p>17</p>				<p>10 3200</p>  <p>STEERING WHEEL</p>		
<p>16 3400</p>  <p>FRONT SUSPENSION MECHANISMS</p>				<p>15 3310</p>  <p>FRONT BRAKE MECHANISMS</p>	<p>14 3300</p>  <p>FRONT AXLE</p>	<p>13 3240</p>  <p>POWER STEERING SYSTEM (FRONT)</p>

As this illustration is prepared to be applicable to all models, some parts are different in specifications from parts listed in this parts Catalog

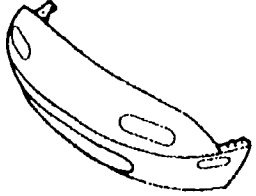
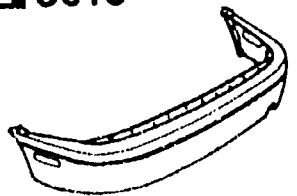
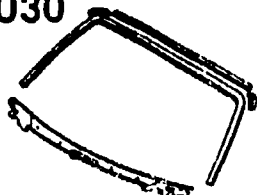
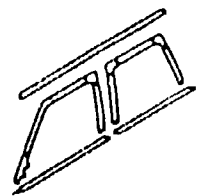

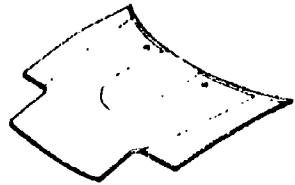
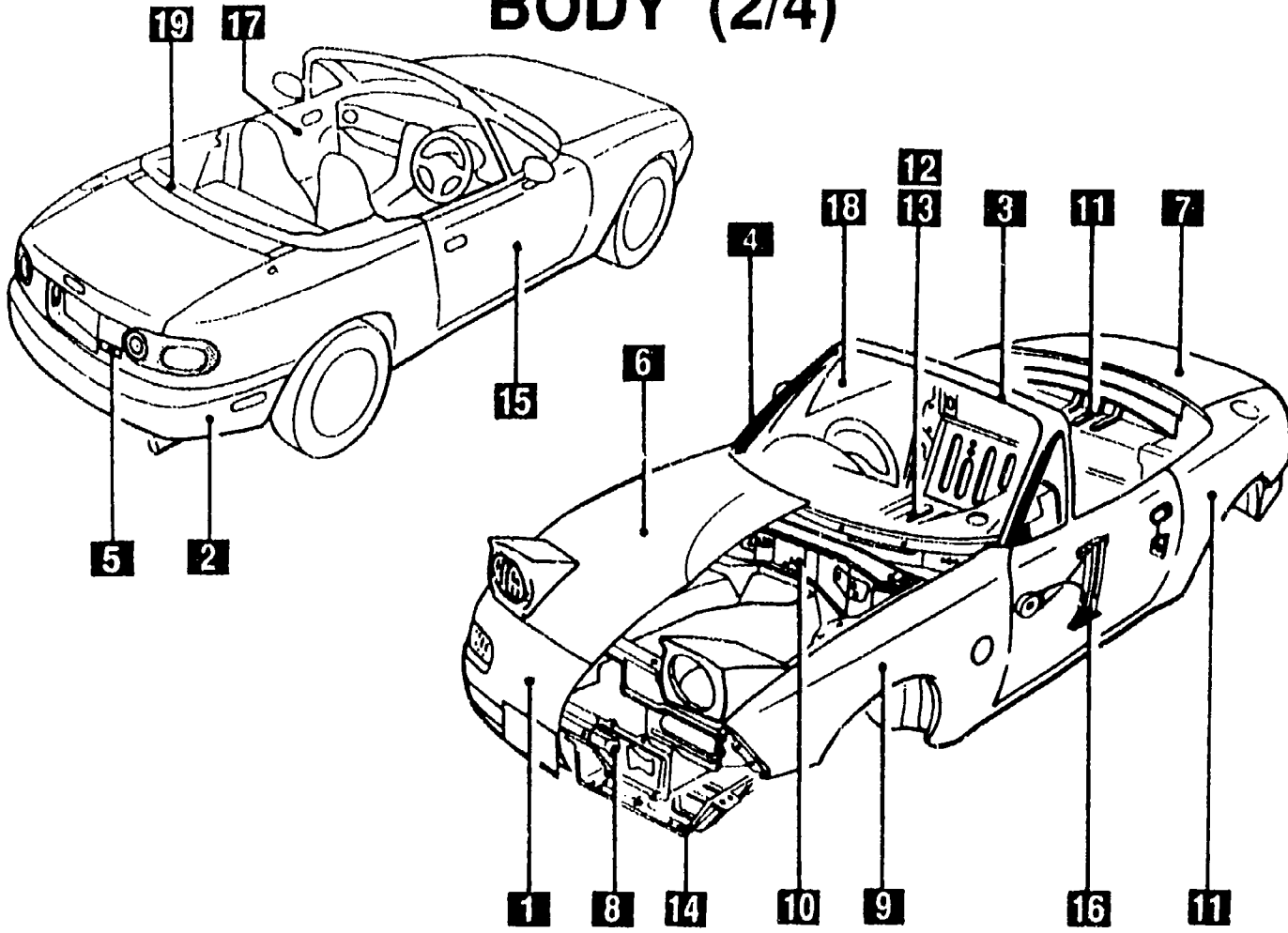
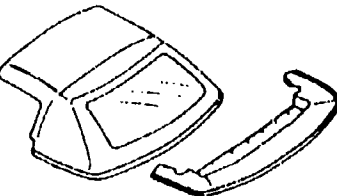
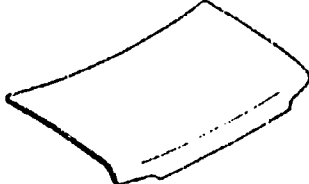
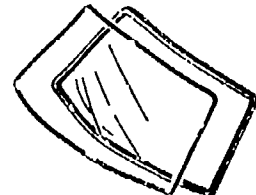
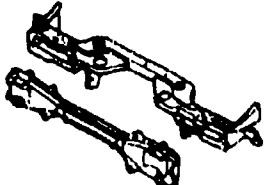
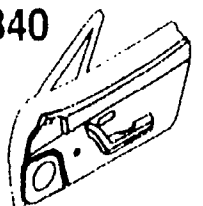
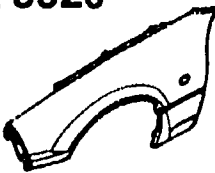
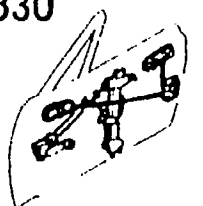
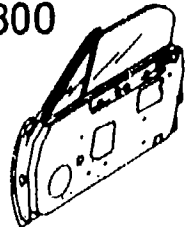
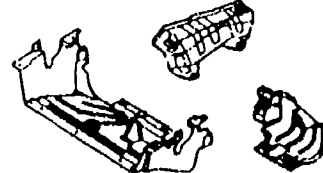
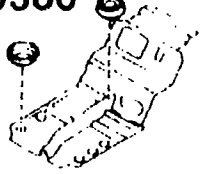
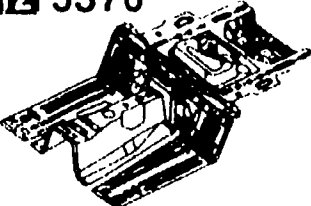
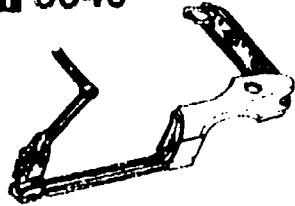
PICTORIAL INDEX

<p>1 3700</p>  <p style="text-align: center;">TIRES & JACK</p>	<p>2 4140</p>  <p style="text-align: center;">CLUTCH RELEASE & MASTER CYLINDERS</p>	<p>3 4145</p>  <p style="text-align: center;">CLUTCH PIPINGS</p>	<p>4 4160</p>  <p style="text-align: center;">ACCELERATOR CONTROL SYSTEM</p>	<p>5 4200</p>  <p style="text-align: center;">FUEL TANK</p>	<p>6 4210</p>  <p style="text-align: center;">FUEL LID OPENER</p>
<h2 style="margin: 0;">CHASSIS (2/2)</h2> 					
<p>As this illustration is prepared to be applicable to all models, some parts are different in specifications from parts listed in this parts Catalog.</p>					
				<p>7 4300</p>  <p style="text-align: center;">CLUTCH & BRAKE PEDALS</p>	<p>8 4340</p>  <p style="text-align: center;">BRAKE MASTER CYLINDER & POWER BRAKE</p>
				<p>9 4360</p>  <p style="text-align: center;">BRAKE PIPINGS</p>	<p>10 4370</p>  <p style="text-align: center;">ANTILOCK BRAKE SYSTEM</p>
				<p>12 4500</p>  <p style="text-align: center;">FUEL PIPINGS</p>	<p>11 4400</p>  <p style="text-align: center;">PARKING BRAKE SYSTEM</p>

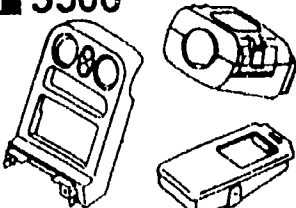
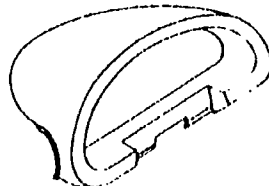
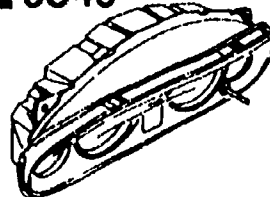
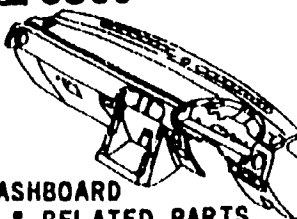
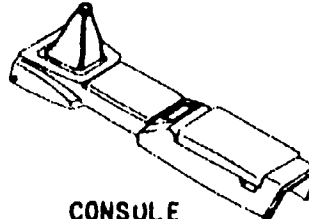
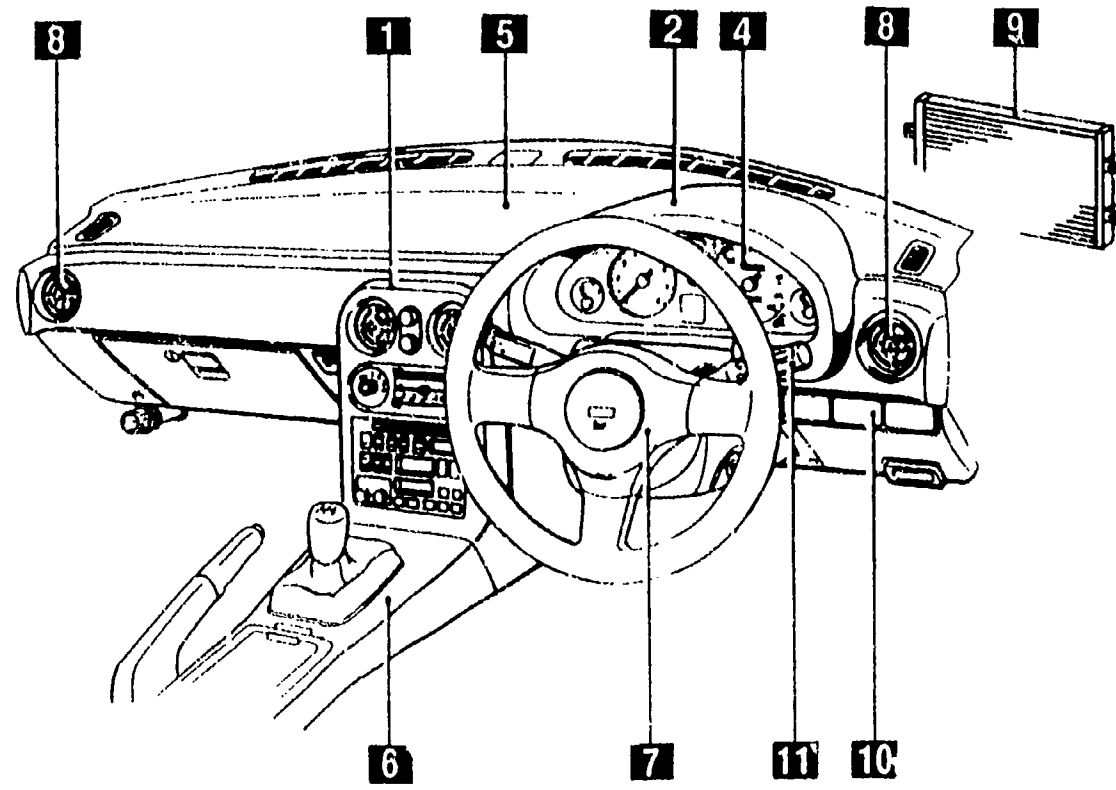
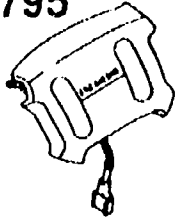
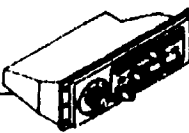



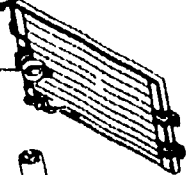


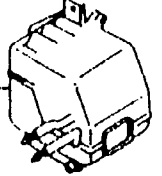
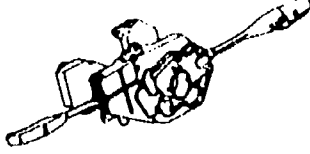
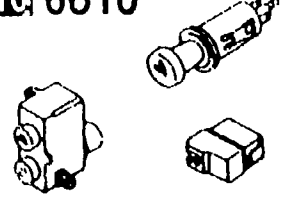
PICTORIAL INDEX

1 0900  KEY SETS	2 5100  HEAD LAMPS	3 5105  FRONT COMBINATION LAMPS	4 5110  REAR COMBINATION LAMPS	5 5120  LICENSE LAMPS	6 5125  INTERIOR LAMPS		
<h2>BODY (1/4)</h2> 							
							7 6600  SWITCHES & RELAYS (ENGINE)
							8 6630  RELAYS & UNIT (BODY)
							9 6635  DOOR SWITCH & HORNS
17 6730  WINDSHIELD WIPERS	<p>As this illustration is prepared to be applicable to all models, some parts are different in specifications from parts listed in this parts Catalog.</p>						10 6640  AUTO CRUISE CONTROL SYSTEM
16 6720  WINDSHIELD WASHER	15 6704  WIRING HARNESS CLAMPS	14 6703  WIRING HARNESSES (DOOR, FLOOR/CEILING)	13 6702  WIRING HARNESSES (DASHBOARD)	12 6701  WIRING HARNESSES (ENGINE & T/MISSION)	11 6700  WIRING HARNESSES (FRONT & REAR)		

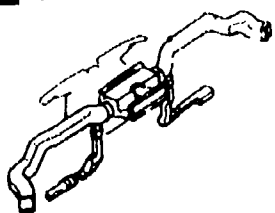

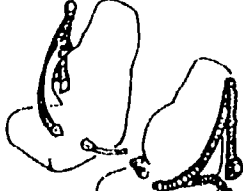
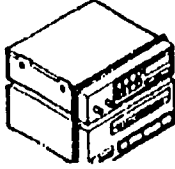
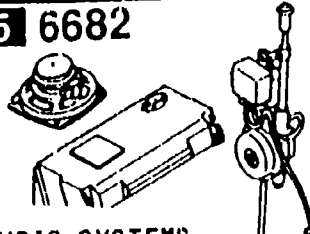
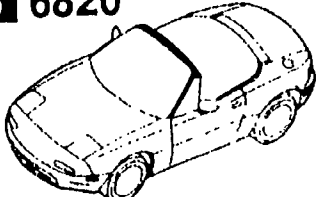
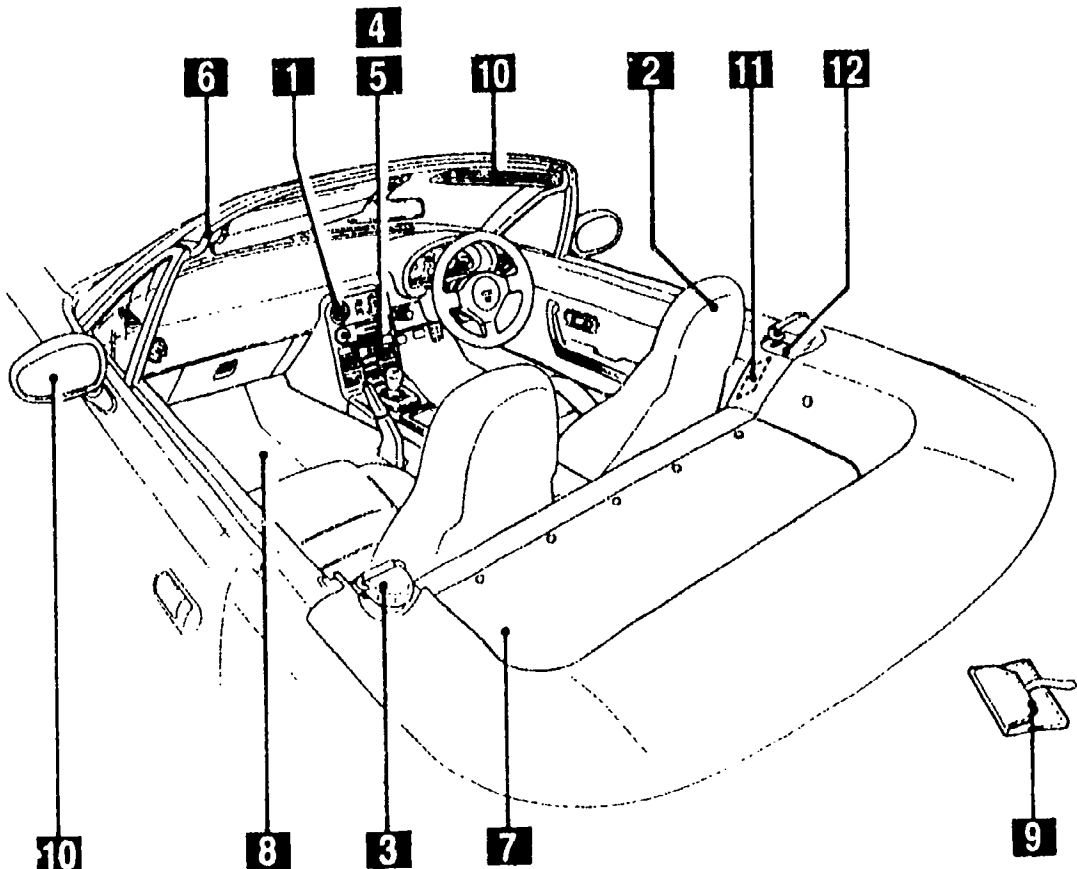
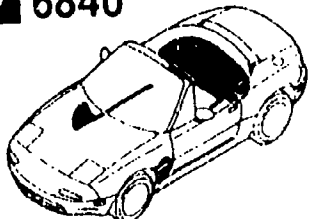
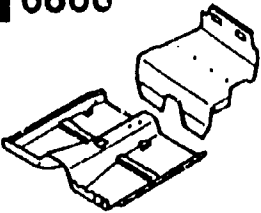
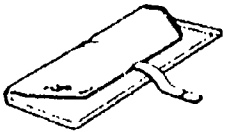
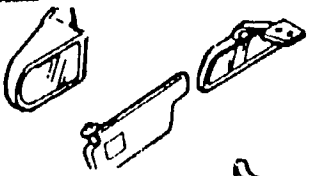

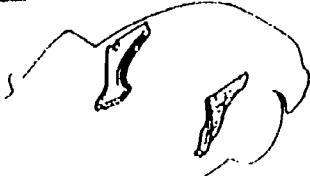
PICTORIAL INDEX

<p>1 5000</p>  <p>FRONT BUMPER</p>	<p>2 5010</p>  <p>REAR BUMPER</p>	<p>3 5030</p>  <p>WINDOW MOULDING & COWL GRILLES</p>	<p>4 5040</p>  <p>BODY MOULDINGS</p>	<p>5 5170</p>  <p>ORNAMENTS</p>	<p>6 5230</p>  <p>BONNET</p>
<p>BODY (2/4)</p> 					
<p>19 6330</p>  <p>SUNROOF</p>					<p>7 5260</p>  <p>TRUNK LID</p>
<p>18 6300</p>  <p>WINDOW GLASSES</p>					<p>8 5310</p>  <p>FRONT PANELS</p>
<p>17 5840</p>  <p>FRONT DOOR TRIMS & RELATED PARTS</p>					<p>9 5320</p>  <p>FENDER & WHEEL APRON PANELS</p>
<p>16 5830</p>  <p>FRONT DOOR MECHANISMS</p>	<p>15 5800</p>  <p>FRONT DOORS</p>	<p>14 5390</p>  <p>FLOOR ATTACHMENTS</p>	<p>13 5380</p>  <p>FLOOR ATTACHMENTS (HOLE COVERS)</p>	<p>12 5370</p>  <p>FLOOR PANELS</p>	<p>11 5340</p>  <p>SIDE PANELS</p>

PICTORIAL INDEX

<p>1 5500</p>  <p>DASHBOARD EQUIPMENTS</p>	<p>2 5520</p>  <p>METER HOOD</p>	<p>3</p>	<p>4 5540</p>  <p>METER COMPONENTS</p>	<p>5 5560</p>  <p>DASHBOARD & RELATED PARTS</p>	<p>6 5570</p>  <p>CONSOLE</p>	
<p>BODY (3/4)</p> 						<p>7 5795</p>  <p>AIR BAG</p>
<p>As this illustration is prepared to be applicable to all models, some parts are different in specifications from parts listed in this parts Catalog.</p>						<p>8</p> <p>6115</p>  <p>6110</p>  <p>6100</p>  <p>6120</p>  <p>HEATER</p>
						<p>9</p> <p>6130</p>  <p>6135</p>  <p>6140</p>  <p>6150</p>  <p>AIR CONDITIONER</p>
			<p>11 6611</p>  <p>COMBINATION SWITCH</p>	<p>10 6610</p>  <p>DASHBOARD SWITCHES</p>		

PICTORIAL INDEX

<p>1 5580</p>  <p>VENTILATOR</p>	<p>2 5700</p>  <p>SEATS</p>	<p>3 5790</p>  <p>SEAT BELTS</p>	<p>4 6680</p>  <p>AUDIO SYSTEMS (RADIO & TAPE DECK)</p>	<p>5 6682</p>  <p>AUDIO SYSTEMS (ANTENNA & SPEAKER)</p>	<p>6 6820</p>  <p>FRONT HEADER TRIM & PILLAR TRIMS</p>
<p>BODY (4/4)</p>  <p>As this illustration is prepared to be applicable to all models, some parts are different in specifications from parts listed in this parts Catalog.</p>					
<p>7 6840</p>  <p>TRIMS & SCUFF PLATES</p> <p>8 6860</p>  <p>FLOOR MATS & PADS</p> <p>9 6870</p>  <p>SERVICE TOOLS</p> <p>10 6900</p>  <p>VISORS, ASSIST HANDLES & MIRRORS</p> <p>11 6930</p>  <p>CAUTION PLATES & LABELS</p> <p>12 7250</p>  <p>QUARTER WINDOW & TRIMS</p>					

MASTER SECTION NUMBER INDEX

(1/5)

Location No	Section No	ENGLISH	FRANÇAIS
1-C3	1000A	ENGINE & GASKET SETS	MOTEUR ET JEU DE JOINTS
1-E3	1010A	CYLINDER HEAD & COVER	CULASSE ET COUVRE-CULASSE
1-I3	1030A	CYLINDER BLOCK	BLOC-CYLINDRES
1-J3	1040A	OIL PAN & TIMING COVER	CARTER D'HUILE ET COUVERCLE DE CHAÎNE DE DISTRIBUTION
1-L3	1100A	PISTON, CRANKSHAFT & FLYWHEEL	PISTON, VILEBREQUIN ET VOLANT MOTEUR
1-C4	1200A	VALVE SYSTEM	SYSTEME DE DISTRIBUTION
1-F4	1300A	INLET MANIFOLD	COLLECTEUR D'ADMISSION
1-G4	1310A	EXHAUST MANIFOLD	COLLECTEUR D'ÉCHAPPEMENT
1-H4	1320A	FUEL SYSTEM	SYSTEME D'ALIMENTATION
1-I4	1325A	FUEL DISTRIBUTOR	REPARTITEUR D'HUILE
1-J4	1330A	AIR CLEANER	FILTRE A AIR
1-L4	1364A	THROTTLE BODY	CORPS DE PAPILLON
1-M4	1370A	EMISSION CONTROL SYSTEM (INLET SIDE)	SYSTEME DE CONTROLE DES EMISSIONS (COTE ADM.)
1-E5	1400A	OIL PUMP & FILTER	POMPE A HUILE ET FILTRE A HUILE
1-G5	1500A	COOLING SYSTEM	SYSTEME DE REFROIDISSEMENT
1-K5	1580A	BRACKET, PULLEY & BELT	SUPPORT DE COMPRESSEUR, POULIE ET COURROIE (CLIMATISEUR)
1-O6	1600A	CLUTCH DISC & COVER (5-SPEED)	DISQUE ET COUVERCLE D'EMBRAYAGE (B.V. MANUELLE) (5-VITESSES)
1-D6	1600AA	CLUTCH DISC & COVER (6-SPEED)	DISQUE ET COUVERCLE D'EMBRAYAGE (B.V. MANUELLE) (6-VITESSES)
1-E6	1700A	MANUAL TRANSMISSION CASE (5-SPEED)	CARTER DE BOITE DE VITESSES (MANUELLE) (5-VITESSES)
1-I6	1700AA	MANUAL TRANSMISSION CASE (6-SPEED)	CARTER DE BOITE DE VITESSES (MANUELLE) (6-VITESSES)
1-K6	1710A	MANUAL TRANSMISSION GEARS (5-SPEED)	PIGONS DE BOITE DE VITESSES (MANUELLE) (5-VITESSES)
1-E7	1710AA	MANUAL TRANSMISSION GEARS (6-SPEED)	PIGONS DE BOITE DE VITESSES (MANUELLE) (6-VITESSES)
1-L7	1720A	MANUAL TRANSMISSION CHANGE CONTROL SYSTEM (5-SPEED)	SYSTEME DE COMMANDE DU CHANGEMENT DE VITESSE (MANUELLE) (5-VITESSES)
1-N7	1720AA	MANUAL TRANSMISSION CHANGE CONTROL SYSTEM (6-SPEED)	SYSTEME DE COMMANDE DU CHANGEMENT DE VITESSE (MANUELLE) (6-VITESSES)
1-E8	1800A	ENGINE ELECTRICAL SYSTEM	SYSTEME ELECTRIQUE DU MOTEUR

MASTER SECTION NUMBER INDEX

(2/5)

Location No.	Section No.	ENGLISH	FRANÇAIS
1-F8	1830A	ALTERNATOR	ALTERNATEUR
1-G8	1840A	STARTER	DEMARREUR
1-I8	1850A	BATTERY	BATTERIE
1-J8	1910A	AUTOMATIC TRANSMISSION TORQUE CONVERTER, OIL PUMP & PIPINGS	CONVERTISSEUR DE COUPLE, POMPE A HUILE ET TUYAUTERIES (AUTOMATIQUE)
1-L8	1920A	AUTOMATIC TRANSMISSION CASE & MAIN CONTROL SYSTEM	CARTER DE TRANSMISSION ET SYSTEME PRINCIPAL DE COMMANDE (AUTOMATIQUE)
1-C9	1925A	AUTOMATIC TRANSMISSION CONTROL VALVE	SOUPAPE DE COMMANDE (AUTOMATIQUE)
1-D9	1930A	AUTOMATIC TRANSMISSION CLUTCHES & PLANETARY GEARS	EMBRAYAGES ET PIGNONS PLANETAIRES (AUTOMATIQUE)
1-I9	1940A	AUTOMATIC TRANSMISSION GOVERNOR, LOW & REVERSE PISTON	GOUVERNEUR, PISTON PREMIEREMARCHE AR (AUTOMATIQUE)
1-K9	1960A	AUTOMATIC TRANSMISSION GASKET & SEAL KIT	KIT DE JOINTS ET JOINTS D'ETANCHEINTE (AUTOMATIQUE)
1-G11	2505A	REAR PROPELLER SHAFT	ARBRE DE TRANSMISSION AR
1-D11	2550A	REAR DRIVE SHAFT	DEMI-ARBRES AR
1-E11	2600A	REAR AXLE	PONT AR
1-J11	2610A	REAR BRAKE MECHANISMS	MECANISMES DE FREIN AR
1-J11	2710AA	REAR DIFFERENTIALS (NORMAL DIFF.)	DIFFERENTIELS AR (DIFFERENTIEL NORMAL)
1-N11	2710AB	REAR DIFFERENTIALS (LIMITED SLIP DIFF.)	DIFFERENTIELS AR (DIFFERENTIEL AUTO-BLOQUANT)
1-F12	2800A	REAR SUSPENSION MECHANISMS	MECANISMES DE SUSPENSION AR
1-H12	2810A	REAR STABILIZER	STABILISATEUR AR
1-I12	2830A	REAR LOWER ARMS & SUB FRAME	BRAS INFERIEURS AR ET FAUX-CADRE
1-K12	3200A	STEERING WHEEL	VOLANT DE DIRECTION
1-L12	3210A	STEERING COLUMN & SHAFTS	COLONNE DE DIRECTION ET AXE LONGITUDINAL
1-M12	3220A	STEERING GEAR	BOITIER DE DIRECTION
1-F13	3240A	POWER STEERING SYSTEM	SYSTEME DE DIRECTION ASSISTEE
1-J13	3300A	FRONT AXLE	ESSIEU AV
1-L13	3310A	FRONT BRAKE MECHANISMS	MECANISMES DE FREINAGE AV
1-N13	3400A	FRONT SUSPENSION MECHANISMS	MECANISMES DE SUSPENSION AV
1-E14	3410A	CROSSMEMBER & STABILIZER	TRAVERSE ET STABILISATEUR
1-F14	3700A	TIRES & JACK	PNEUS ET CRIC
1-C15	3900A	ENGINE & TRANSMISSION MOUNTINGS	TASSEAUX DE MOTEUR ET DE BOITE DE VITESSES

MASTER SECTION NUMBER INDEX

(3/5)

Location No	Section No	ENGLISH	FRANÇAIS
1-D15	4000A	EXHAUST SYSTEM	SYSTEME D'ECHAPPEMENT
1-E15	4140A	MANUAL TRANSMISSION CLUTCH RELEASE & MASTER CYLINDERS	CYLINDRE DE DEBRAYAGE ET MAITRE-CYLINDRE D'EMBRAYAGE (BOITE DE VITESSE MANUELLE)
1-F15	4145A	MANUAL TRANSMISSION CLUTCH PIPINGS	TUYAU D'EMBRAYAGE (MANUELLE)
1-G15	4160A	ACCELERATOR CONTROL SYSTEM	SYSTEME DE COMMANDE DE L. ACCELERATEUR
1-H15	4200A	FUEL TANK	RESERVOIR DE CARBURANT
1-N15	4210A	FUEL LID OPENER	OUVREUR TRAPPE CARBURANT
1-O16	4300A	MANUAL TRANSMISSION CLUTCH & BRAKE PEDALS	PEDALES D'EMBRAYAGE ET DE FREIN
1-F16	4300B	AUTOMATIC TRANSMISSION BRAKE PEDAL	PEDALES DE FREIN (AUTOMATIQUE)
1-H16	4340A	BRAKE MASTER CYLINDER & POWER BRAKE (W/O ANTILOCK BRAKE)	MAITRE-CYLINDRE DE FREIN ET FREIN ASSISTE (SANS SYSTEME D'ANTIBLOC)
1-J16	4340AA	BRAKE MASTER CYLINDER & POWER BRAKE (W/ANTILOCK BRAKE)	MAITRE-CYLINDRE DE FREIN ET FREIN ASSISTE (AVEC SYSTEME D'ANTIBLOC)
1-L16	4360A	BRAKE PIPINGS (W/O ANTILOCK BRAKE)	CANALISATIONS DE FREIN (SANS SYSTEME D'ANTIBLOC)
2-C3	4360AA	BRAKE PIPINGS (W/ANTILOCK BRAKE)	CANALISATIONS DE FREIN (AVEC SYSTEME D'ANTIBLOC)
2-E3	4370A	ANTILOCK BRAKE SYSTEM	SYSTEM D'ANTIBLOC
2-F3	4400A	PARKING BRAKE SYSTEM	SYSTEME DE FREIN DE STATIONNEMENT
2-H3	4500A	FUEL PIPINGS	CANALISATIONS DE CARBURANT
2-I3	4600A	CHANGE CONTROL SYSTEM (AT)	SYSTEME DE COMMANDE DES VITESSES (BOITE DE VITESSE AUTOMATIQUE)
2-C5	0900A	KEY SETS	JEUX DE CLES
2-E5	5000A	FRONT BUMPER	PARE-CHOC AV
2-G5	5010A	REAR BUMPER	PARE-CHOC AR
2-J5	5030A	WINDOW MOULDING & COIL GRILLES	MOULAGE POUR CADRE DE VITRE & GRILLE DE AUVENT
2-K5	5040A	BODY MOULDINGS	MOULURES DE CARROSSERIE
2-L5	5100A	HEAD LAMPS	PHARES
2-M5	5105A	FRONT COMBINATION LAMPS	FEUX COMBINES AV
2-O6	5110A	REAR COMBINATION LAMPS	FEUX COMBINES AR
2-F6	5120A	LICENSE LAMPS	FEUX DE PLAQUE
2-F6	5125A	INTERIOR LAMPS	PLAFONNIERS

MASTER SECTION NUMBER INDEX

(4/5)

Location No.	Section No.	ENGLISH	FRANÇAIS
2-G6	5170A	ORNAMENTS	ORNEMENTS
2-H6	5230A	BONNET	CAPOT
2-J6	5260A	TRUNK LID	COUVERCLE DE COFFRE A BAGAGES
2-L6	5310A	FRONT PANELS	PANNEAUX DE CARROSSERIE (AV)
2-M6	5320A	FENDER & WHEEL APRON PANELS	PANNEAUX DE CARROSSERIE (AILE ET TABLIER D'AILE)
2-E7	5330A	DASH & CONN. PANELS	PANNEAUX DE CARROSSERIE (TABLIER ET PANNEAU D'AUVANT)
2-F7	5340A	SIDE PANELS	PANNEAUX DE CARROSSERIE (LATERAUX)
2-K7	5370A	FLOOR PANELS	PANNEAUX DE CARROSSERIE (PLANCHER)
2-N7	5380A	FLOOR ATTACHMENTS (HOLE COVERS)	ACCESSOIRES DU PLANCHER (TROU COUVERCLE)
2-D8	5390A	FLOOR ATTACHMENTS	ACCESSOIRES DU PLANCHER
2-C9	5500A	DASHBOARD EQUIPMENTS	EQUIPEMENTS DU TABLEAU DE BORD
2-D9	5520A	METER HOOD	VISIERE DE COMPTEURS
2-E9	5540A	METER COMPONENTS	COMPTEURS
2-G9	5560A	DASHBOARD & RELATED PARTS	TABLEAU DE BORD ET PIECES CONNEXES
2-I9	5570A	CONSOLE	CONSOLE
2-M9	5580A	VENTILATOR	AERATEUR
2-N9	5700A	SEATS	SIEGES
2-H10	5790A	SEAT BELTS	CEINTURES DE SECURITE
2-I10	5795A	AIR BAG	SAC A AIR
2-J10	5800A	FRONT DOORS	PORTES AV
2-M10	5830A	FRONT DOOR MECHANISMS	MECANISMES DE PORTES AV
2-H11	5840A	FRONT DOOR TRIMS & RELATED PARTS	GARNITURES ET PIECES CONNEXES
2-C12	6100A	HEATER	CHAUFFAGE
2-D12	6110A	HEATER UNIT COMPONENTS	COMPOSANTS DU CHAUFFAGE
2-E12	6115A	HEATER CONTROL COMPONENTS	COMPOSANTS DES COMMANDES DE CHAUFFAGE
2-F12	6120A	HEATER BLOWER COMPONENTS	COMPOSANTS DU VENTILATEUR DE CHAUFFAGE
2-G12	6130A	AIR CONDITIONER	CLIMATISEUR
2-K12	6135A	AIR CONDITIONING COOLING PIPE O-RING	JEU JOINTS TORIQUE, TUYAUTERIE
2-L12	6140A	AIR CONDITIONING COMPRESSOR COMPONENTS	COMPOSANTS DU COMPRESSEUR (CLIMATISEUR)

MASTER SECTION NUMBER INDEX

(5/5)

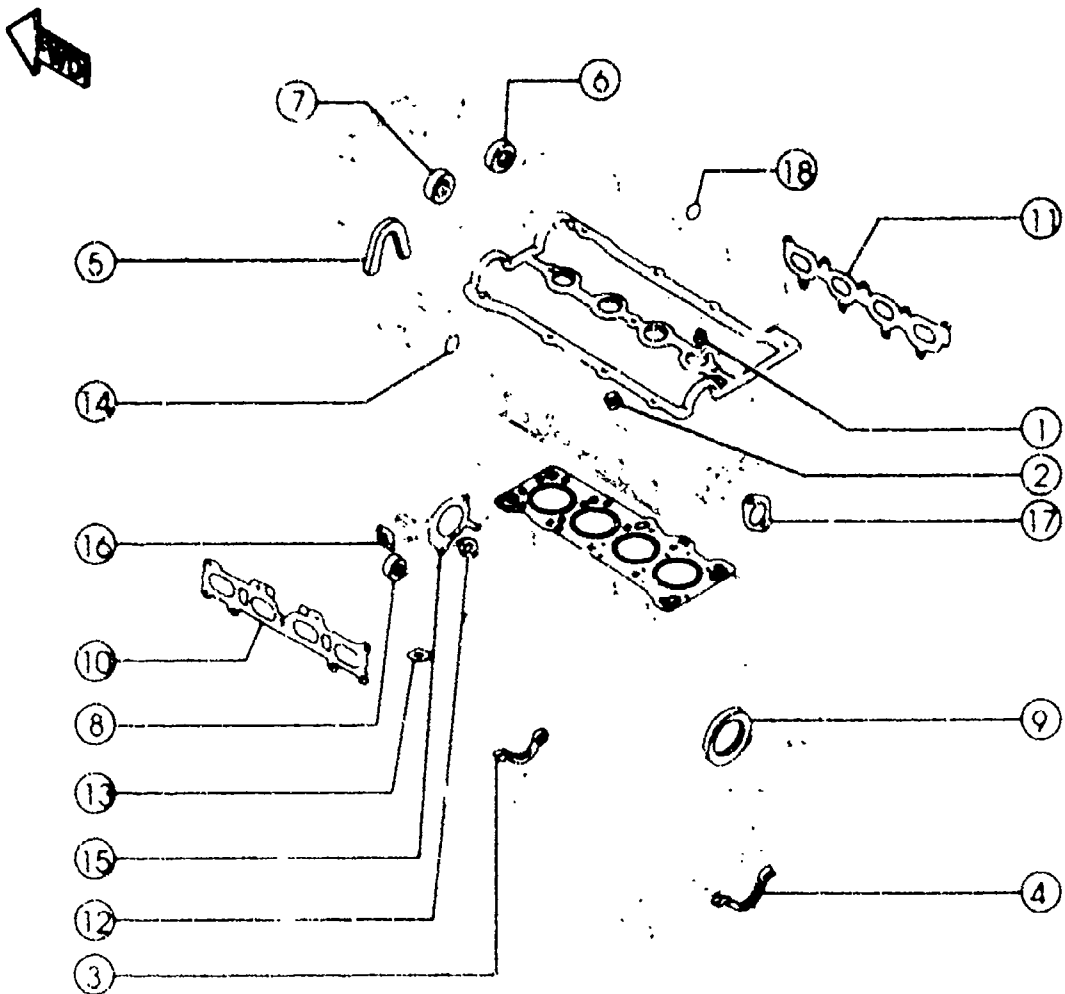
Location No	Section No	ENGLISH	FRANÇAIS
2-M12	6150A	AIR CONDITIONING COOLING UNIT	UNITE DE REFROIDISSEMENT (CLIMATISEUR)
2-M12	6300A	WINDOW GLASSES	VITRES
2-C13	6330A	SUNROOF	TOIT OUVRANT
2-D14	6600A	ENGINE SWITCHES & RELAYS	INTERRUPTEURS ET RELAIS (MOTEUR)
2-H14	6610A	DASHBOARD SWITCHES	INTERRUPTEURS SUR TABLEAU DE BORD
2-J14	6611A	COMBINATION SWITCH	INTERRUPTEUR COMBINE
2-K14	6630A	BODY RELAYS & UNIT	RELAIS ET UNITE (CARROSSERIE)
2-N14	6635A	DOOR SWITCH & HORNS	INTERRUPTEUR PORTE ET AVERTISSEUR
2-C15	6640A	AUTO CRUISE CONTROL SYSTEM	SYSTEME DE REGLAGE AUTOMATIQUE DE CROISIERE
2-E15	6680A	AUDIO SYSTEMS (RADIO & TAPE DECK)	SYSTEMES SONORES (RADIO ET LECTEUR DE CASSETTE)
2-L15	6682A	AUDIO SYSTEMS (ANTENNA & SPEAKER)	SYSTEMES SONORES (ANTENNE ET HAUT-PARLEUR)
2-C16	6700A	FRONT & REAR WIRING HARNESSSES	FAISCEAUX DE FILS (AV ET AR)
2-F16	6701A	ENGINE & TRANSMISSION WIRING HARNESSSES	FAISCEAUX DE FILS (MOTEUR ET BOITE DE VITESSES)
2-I16	6702A	DASHBOARD WIRING HARNESSSES	FAISCEAUX DE FILS (TABLEAU DE BORD)
2-J16	6703A	DOOR, FLOOR & CEILING WIRING HARNESSSES	FAISCEAUX DE FILS (PORTE, PLANCHER ET PLAFOND)
2-K16	6704A	WIRING HARNESS CLAMPS	COLLIERS DE FAISCEAU DE FILS
3-C3	6720A	WINDSHIELD WASHER (W/O ANTILOCK BRAKE)	LAVE-GLACE (SANS SYSTEME D'ANTIBLOC)
3-C3	6720B	WINDSHIELD WASHER (W/ANTILOCK BRAKE)	LAVE-GLACE (AVEC SYSTEME D'ANTIBLOC)
3-J3	6730A	WINDSHIELD WIPERS	ESSUIE-GLACE
3-L3	6820A	FRONT HEADER TRIM & PILLAR TRIMS	GARNITURE DE ENTRETOISE AVANT ET GARNITURE DE PILIER
3-M3	6840A	TRIMS & SCUFF PLATES	GARNITURES ET SEUILS DE PORTE
3-O4	6860A	FLOOR MATS & PADS	TAPIS ET BOURRELETS DE PLANCHER
3-G4	6870A	SERVICE TOOLS	OUTILS DE SERVICE
3-H4	6900A	SUN VISORS, ASSIST HANDLES & MIRRORS	PAPE-SOLEIL, POIGNEES DE MAINTIEN ET MIROIRS
3-K4	6930A	CAUTION PLATES & LABELS	PLAQUETTES ET ETIQUETTES D'AVERTISSEMENT
3-M4	7250A	QUARTER WINDOW & TRIMS	VITRE ET GARNITURES, CUSTODE AR

10-2715

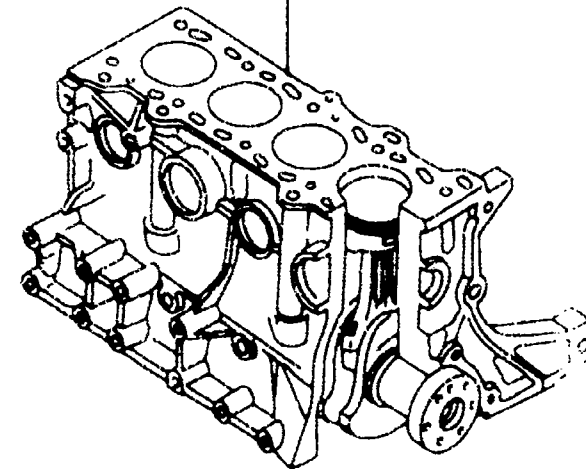
- 1-SEAL, VALVE (8)
- 2-SEAL, VALVE (8)
- 3-GASKET, OIL PAN (1)
- 4-GASKET, OIL PAN (1)
- 5-RUBBER, SEAL-SEAL PLATE (1)
- 6-SEAL, OIL (1)
- 7-SEAL, OIL (1)
- 8-SEAL, OIL (1)
- 9-SEAL, OIL-CRANKSHAFT (1)
- 10-GASKET, EX. MANIFOLD (1)
- 11-GASKET, IN. MANIFOLD (1)
- 12-RING, 'O' (1)
- 13-GASKET (1)
- 14-RING, 'O' WATER PUMP (1)
- 15-GASKET, WATER PUMP (1)
- 16-GASKET, W. PUMP INLET (1)
- 17-GASKET, THERMOSTAT COVER (2)
- 18-RING 'O' (1)

02-310S

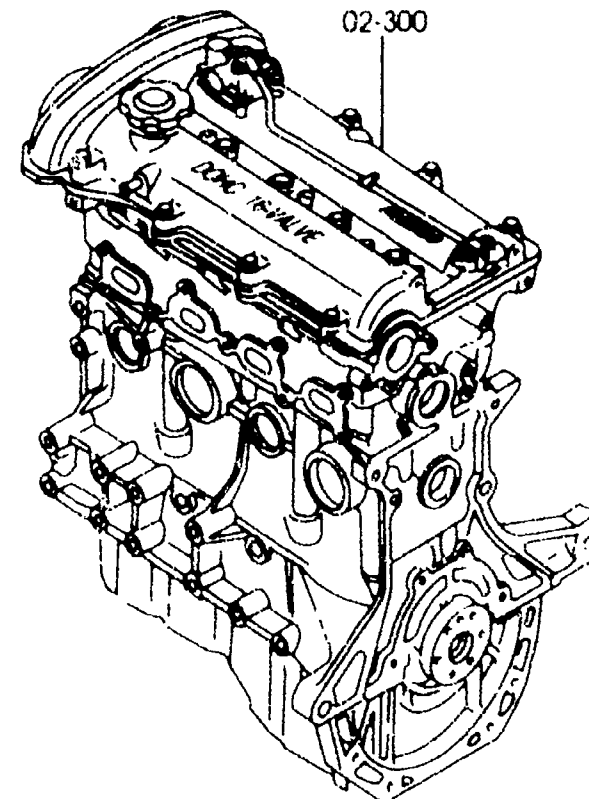
- 10-GASKET, EX. MANIFOLD (1)
- 11-GASKET, IN. MANIFOLD (1)
- 16-GASKET, W. PUMP INLET (1)
- 17-GASKET, THERMOSTAT COVER (2)



23-800



02-300

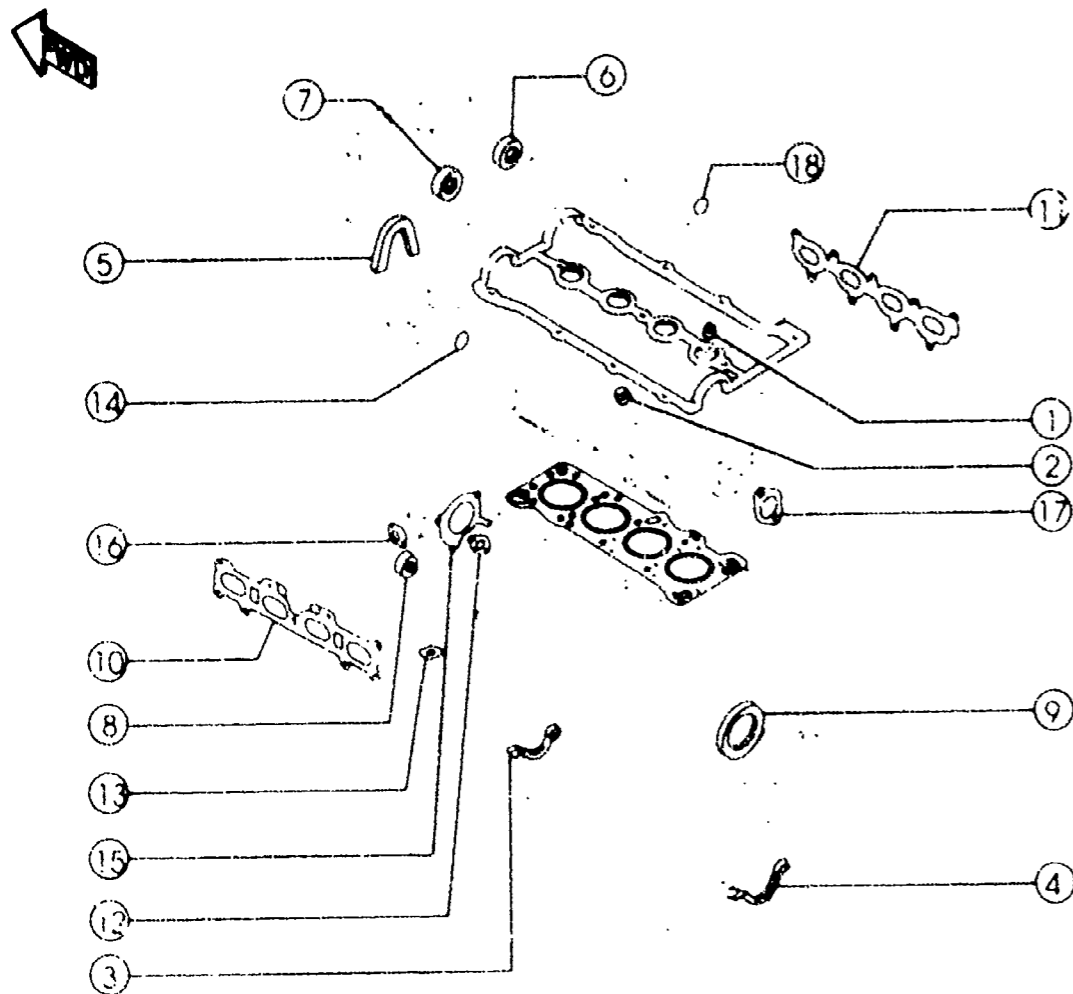


10-271S

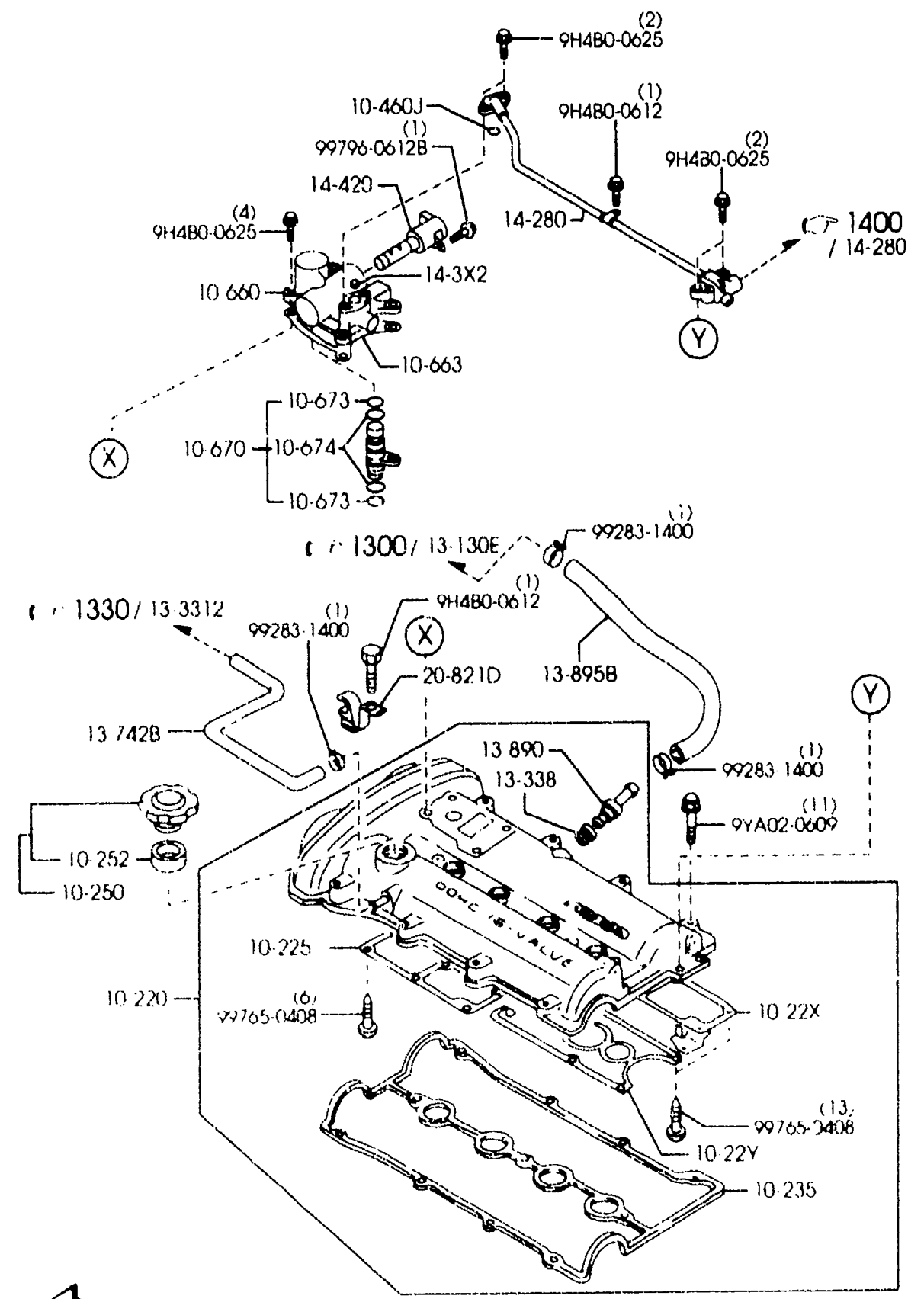
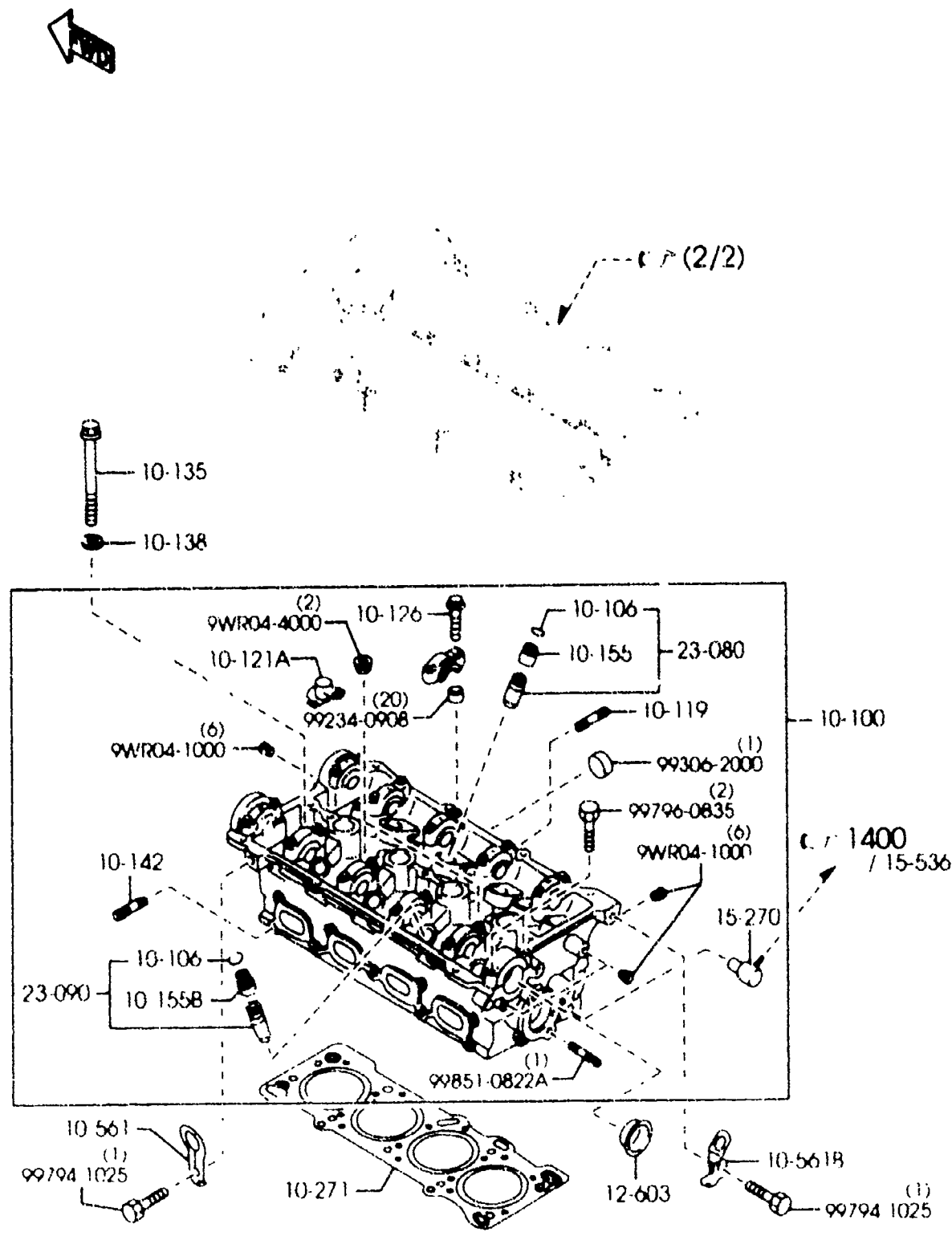
- 1-SEAL, VALVE (8)
- 2-SEAL, VALVE (8)
- 3-GASKET, OIL PAN (1)
- 4-GASKET, OIL PAN (1)
- 5-RUBBER, SEAL-SEAL PLATE (1)
- 6-SEAL, OIL (1)
- 7-SEAL, OIL (1)
- 8-SEAL, OIL (1)
- 9-SEAL, OIL-CRANKSHAFT (1)
- 10-GASKET, EX. MANIFOLD (1)
- 11-GASKET, IN. MANIFOLD (1)
- 12-RING, 'O' (1)
- 13-GASKET (1)
- 14-RING, 'O' WATER PUMP (1)
- 15-GASKET, WATER PUMP (1)
- 16-GASKET, W. PUMP INLET (1)
- 17-GASKET, THERMOSTAT COVER (2)
- 18-RING, 'O' (1)

02-310S

- 10-GASKET, EX. MANIFOLD (1)
- 11-GASKET, IN. MANIFOLD (1)
- 16-GASKET, W. PUMP INLET (1)
- 17-GASKET, THERMOSTAT COVER (2)

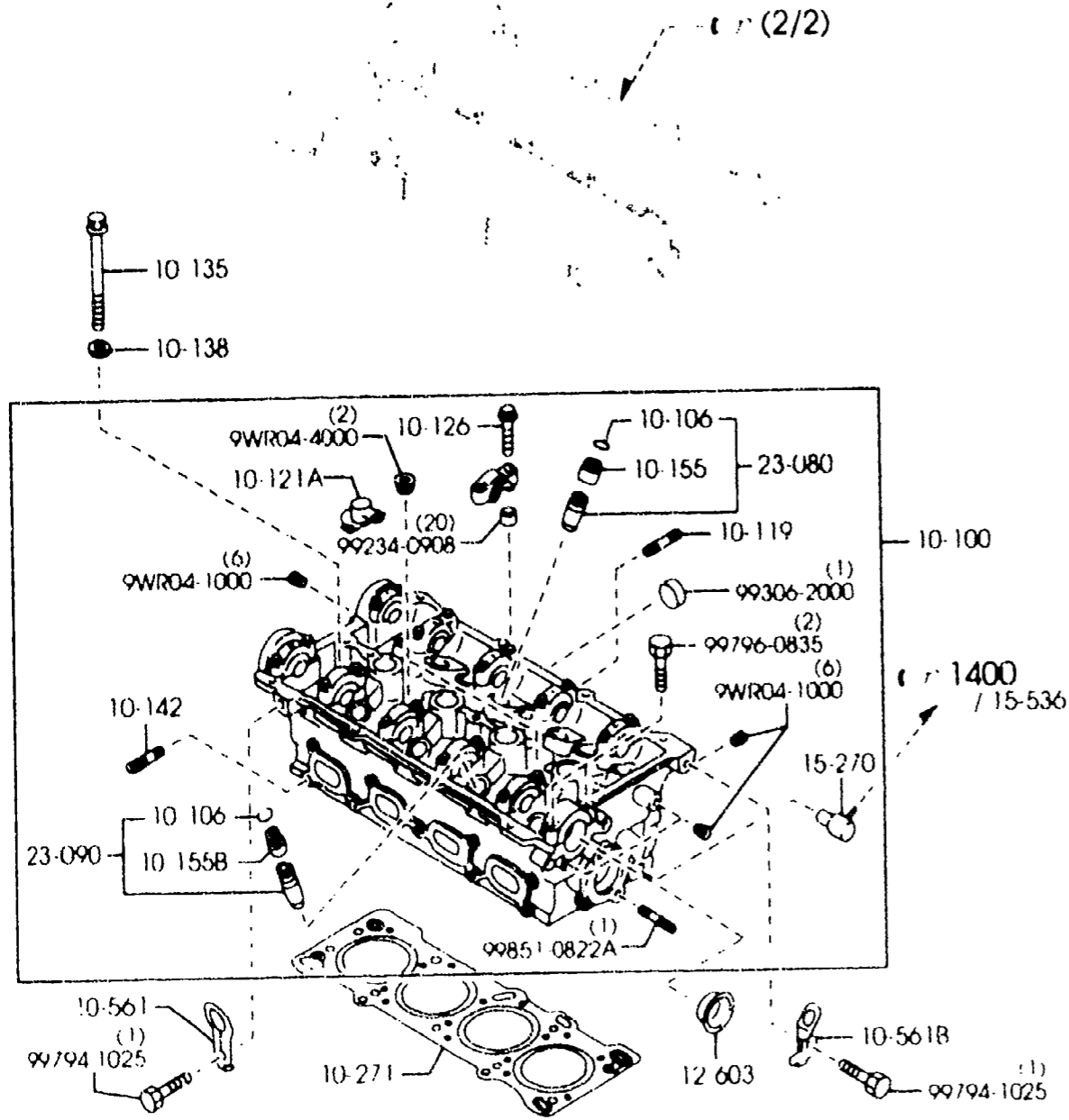


PART NO.	QTY	MODEL/RESTRICTION	MODEL/RESTRICTION	MODEL/RESTRICTION	FROM-TO
02-300		ENGINE, PARTIAL	MOTEUR, PARTIEL		
BP6F-02-300B	1				
02-310S		GASKET SET, PARTIAL ENGINE	JEU GARNITURE, MOTEUR PART		
BAN4-02-310	1	(MT)	(B.V. MANU)		
BAN5-02-310	1	(AT)	(B.V. AUTOM)		
10-271S		GASKET SET, ENGINE	JEU, JOINTS DE MOTEUR		
BAN5-10-271	1	(MT)	(B.V. MANU)		
BAN6-10-271A	1	(AT)	(B.V. AUTOM)		
23-800		ENGINE, SHORT	MOTEUR NU		
BP6F-02-200B	1				



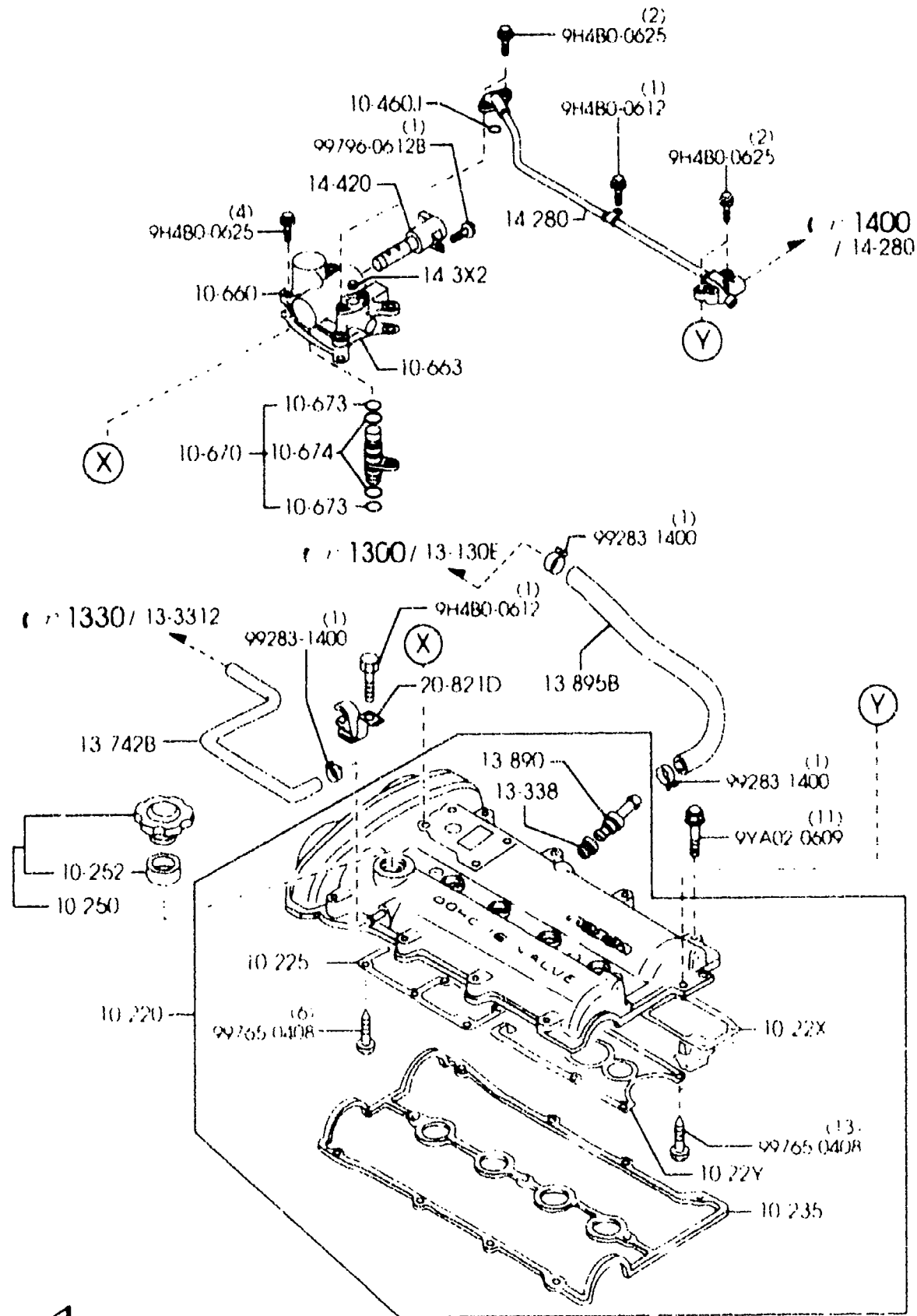


1/2



PART NO	QTY	MODEL/RESTRICTION	MODEL/RESTRICTION	MODEL/RESTRICTION	FROM-TO
10-100	1	HEAD,CYLINDER	CULASSE		
BP6D-10-100					
10-106	16	CLIP,VALVE GUIDE	ATTACHE, GUIDE CLAPE		
B660-10-106					
10-119	9	STUD	GOUJON		
FE4J-13-146					
10-121A	1	CAP,CAMSHAFT	CAPUCHON ARBRE A CAMES		-0827
BP6D-10-121A					
BP6D-10-100	1				0827-
10-126	20	BOLT,CAMSHAFT CAP	BOULON,CAPSULE ARBRE CAME		
KL02-10-126					
10-135	10	BOLT,CYLINDER HEAD	BOULON,CULASSE		
B660-10-135A					
10-138	10	WASHER,PLAIN CYL. HEAD	RUNDELLE		
B630-10-138A					
10-142	9	STUD,EX. MANIFOLD	GOUJON,COLLECTEUR D'ECH.		
B661-10-104					
10-155	8	SEAL,VALVE	JOINT,QUEUE SOUPE		
KL01-10-155					
10-155B	8	SEAL,VALVE	JOINT,QUEUE SOUPE		
KL02-10-155					
10-22X	1	PLATE,OIL BAFFLE-IN. SIDE	PLAQUE,CHICANE HUILE -INT.		
BP6D-10-22XA					
10-22Y	1	PLATE,OIL BAFFLE-EX.	PLAQUE,CHICANE HUILE -EXT.		
BP6D-10-22YA					
10-220	1	COVER,CYLINDER HEAD	CACHE, CULBUTEUR		
BP6D-10-210C					

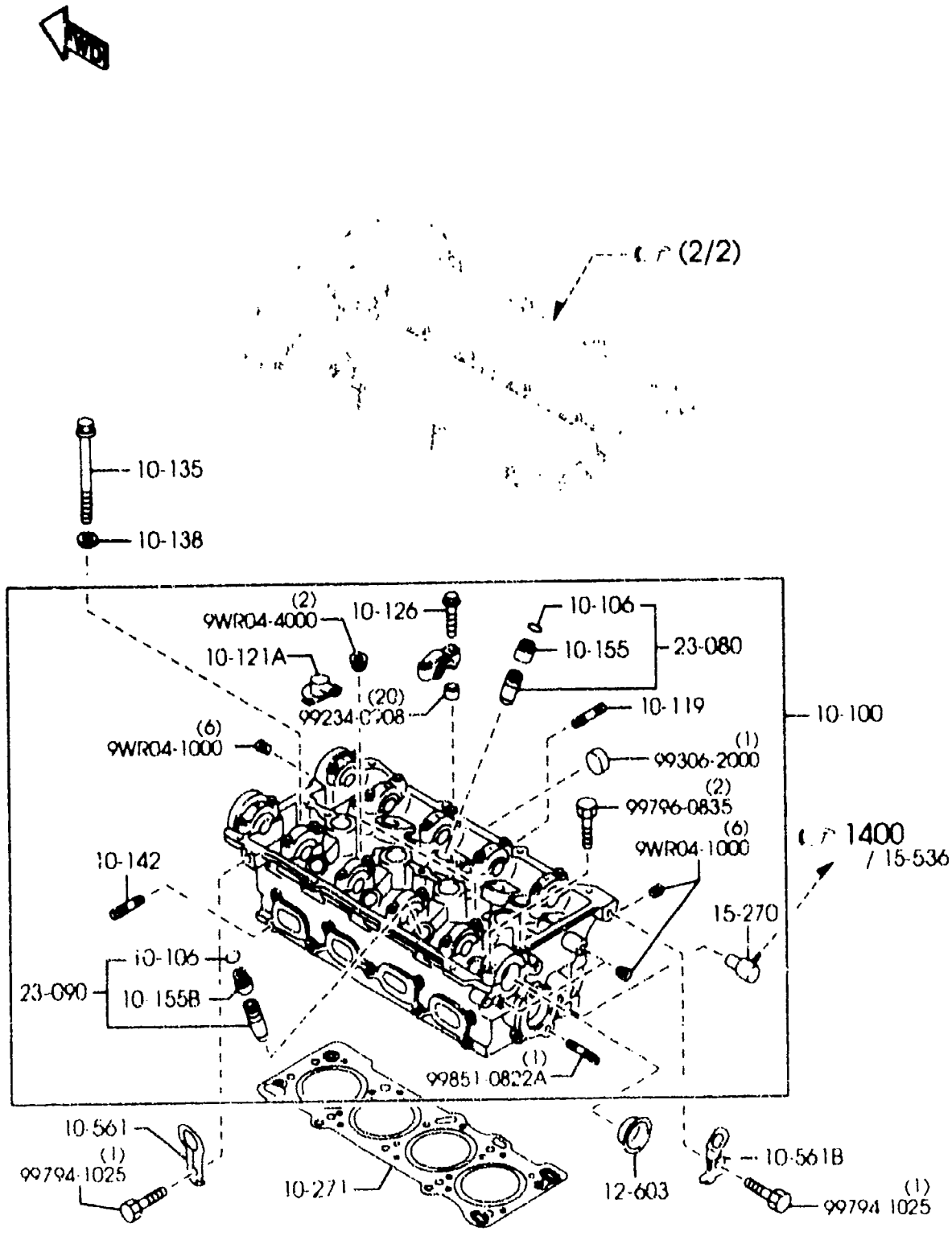
0827 NB35MM-207050



PART NO.	QTY	MODEL/RESTRICTION	MODEL/RESTRICTION	MODEL/RESTRICTION	FROM-TO
10-225 BP6D-10-225	1	PLATE,OIL SEPARATOR	PLAQUE, SEPARATION D'HUILE		
10-235 BP6D-10-235A	1	GASKET,HEAD COVER	JOINT DE CULASSE		
10-250 0453-10-250A	1	CAP,OIL FILLER	BOUCHON, REMPLIS. HUILE		
10-252 0324-10-252	1	GASKET	JOINT		
10-271 BP6D-10-271	1	GASKET,CYLINDER HEAD	JOINT DE CULASSE		
10-460J 99541-02206	1	RING,'O'	JOINT 'O'		
10-561 B660-10-561	1	HANGER,ENGINE	CROCHET,MOTEUR		
10-561B BP6B-10-566A	1	HANGER,ENGINE-REAR	ANNEAU DE SUSP.AR,MOTEUR		
10-660 BP6D-10-660B A (BP6D-10-660C)	1	CASE,OIL CONTROL VALVE	BOITE, SOUPAPE COMM. HUILE		-0808
10-663 BP6D-10-663	1	GASKET,O/C VALVE CASE	JOINT, B. SOUP./COMM. HUILE		0808-
10-670 BP6D-10-670	1	ADAPTER	ADAPTER		
10-673 BP6D-10-673	2	RING,'O'-ADAPTER	JOINT TORIQUE,ADAPTEUR		
10-674 ZL09-10-674	2	RING,'O'-ADAPTER	JOINT TORIQUE,ADAPTEUR		

0808 NB35MM-201353



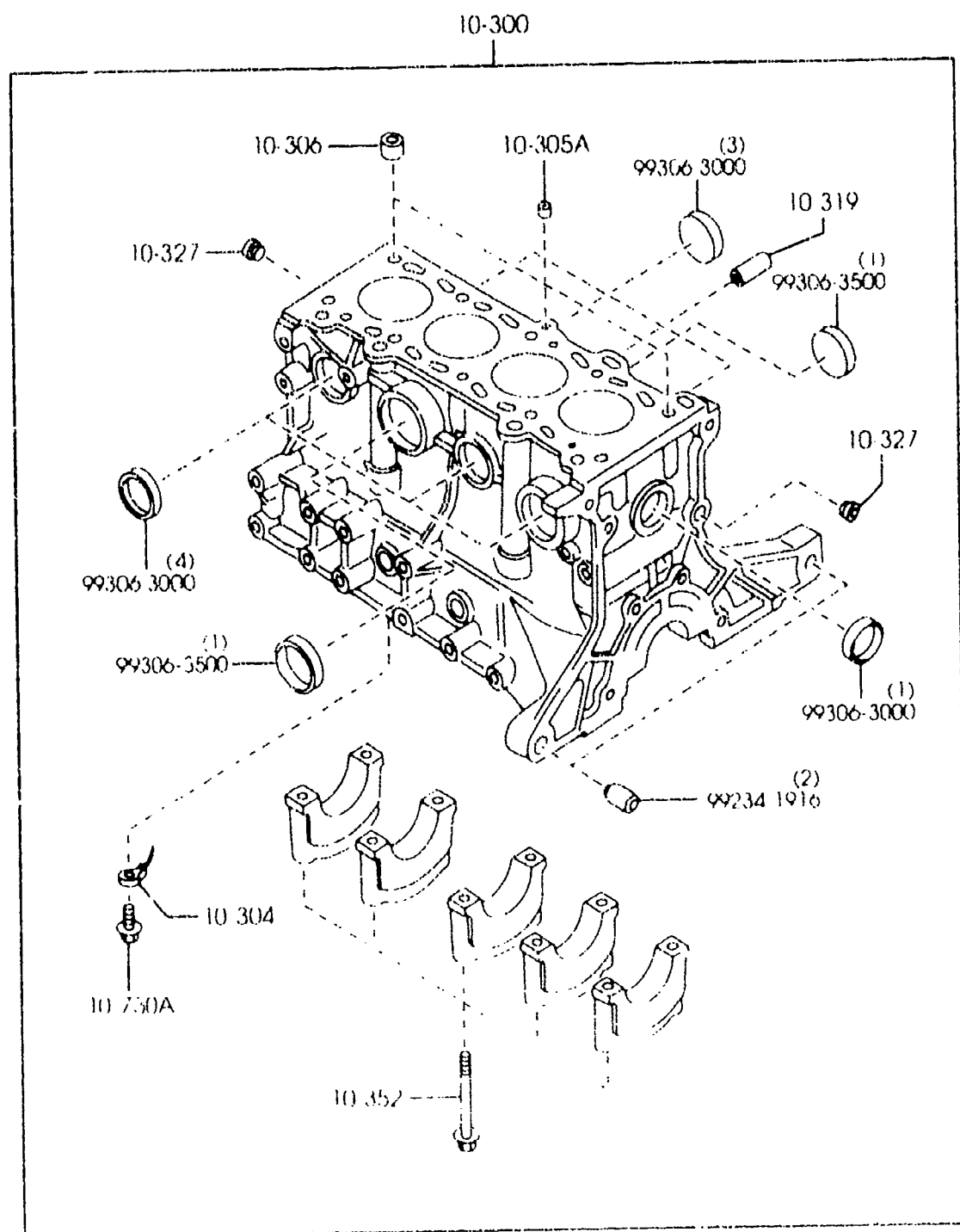


PART NO.	QTY	MODEL/RESTRICTION	MODEL/RESTRICTION	MODEL/RESTRICTION	FROM-TO
12-603 KLG4-12-603	1	CAP, SEAL-OIL	CAPUCHON, ETANCHE-HUI LE		
13-338 E301-13-338A	1	SEAL, RUBBER	CAOUTCHOUC D'ETANCHE ITE		
13-742B BP6D-13-742	1	HOSE, VENTILATION	TUY., VENT., -BOIT. INTE RMED.		
13-890 BP05-13-890	1	VALVE, P.C.V.	SOUPAPE P.C.V.		
13-895B BP6D-13-895	1	HOSE, P.C.V.	FLEXIBLE, P.C.V.		
14-280 BP6D-14-270A	1	PIPE, OIL	CONDUIT, HUILE		
14-3X2 ZL09-14-3X2	1	FILTER, OIL	ORIFICE REMPLISS., HU ILE		
14-420 BP6D-14-420A A (BP6D-14-420B)	1	VALVE, OIL CONTROL	SOUPAPE, COMMANDE HUI LE		-0821
BP6D-14-420B AN (BP6D-14-420C)	1				0821-0904
BP6D-14-420C	1				0904-
15-270 BP6B-15-270	1	PIPE, WATER BY PASS	TUYU DE DERIVATION D 'EAU		
20-821D BP6B-20-820	1	CLIP, HOSE	COLLIER, TUYAU		
23-080 B6Z1-10-280	8	GUIDE, VALVE	GUIDE DE SOUPAPE		
23-090 BPY0-10-290	8	GUIDE, VALVE	GUIDE DE SOUPAPE		

0821 NB35** - 201834
0904 NB35** - 203612

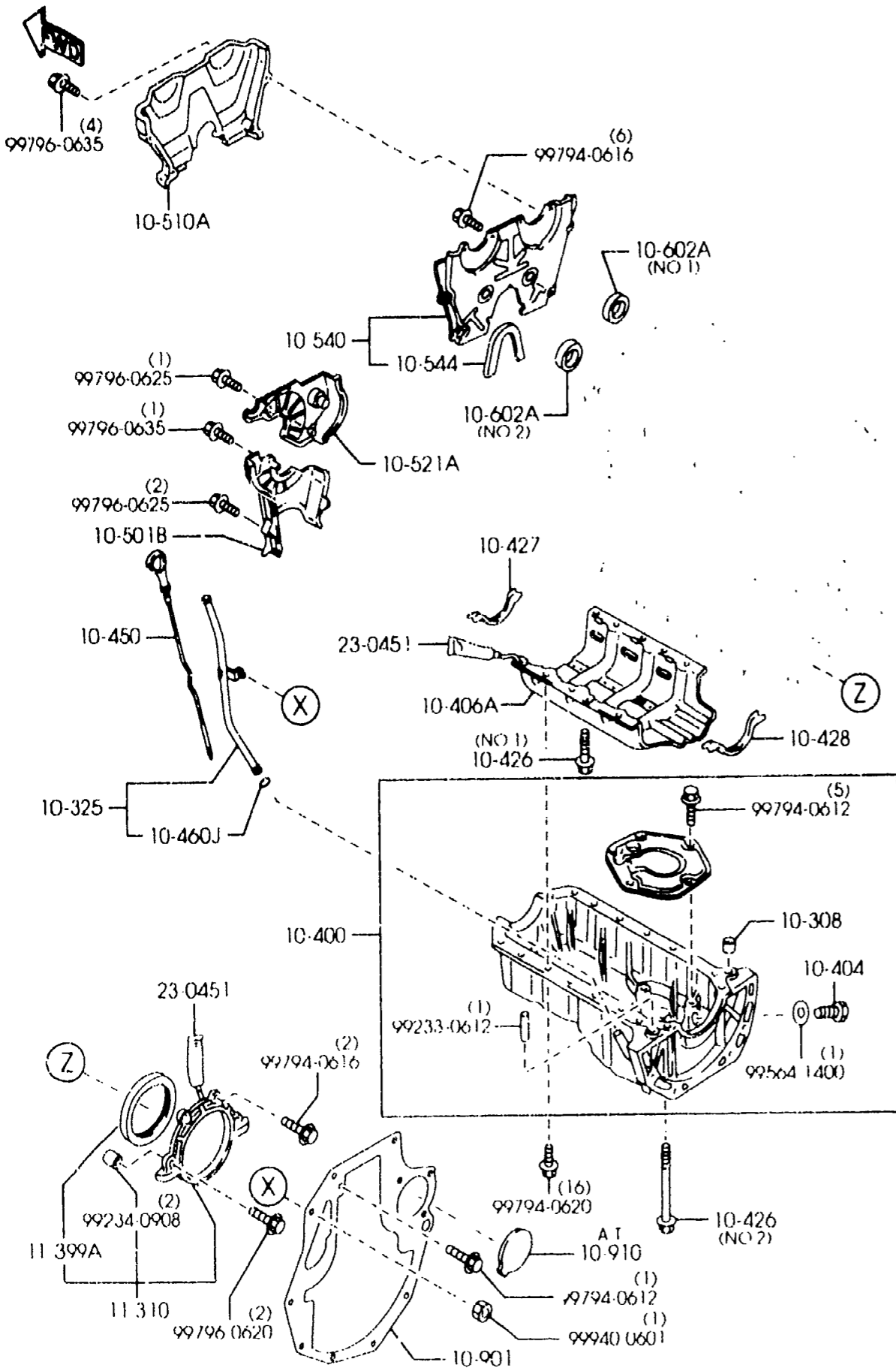
1030A CYLINDER BLOCK

1030A -1 * CYLINDER BLOCK



PART NO.	QTY	MODEL/RESTRICTION	MODEL/RESTRICTION	MODEL/RESTRICTION	FROM-TO
10-300 BP5C-10-300C	1	BLOCK, CYLINDER	BLOC, CYLINDRES		
10-304 BP01-10-580A	4	JET, OIL	GICLÉUR D'HUILE		
10-305A B366-10-305	1	PLUG	BOUCHON		
10-306 B630-10-306	2	PIN, TUBULAR	RONDELLE TUBULAIRE		
10-319 E5B6-10-319C	1	JOINT	RACCORD		
10-327 0221-10-327	2	PLUG, BLIND	PASTILLE		
10-352 B630-10-352	10	BOLT, CRANKSHAFT CAP	BOULON		
10-730A SE01-10-730	4	VALVE, OIL JET	SOUPAPE, GICLÉUR D'HUILE		

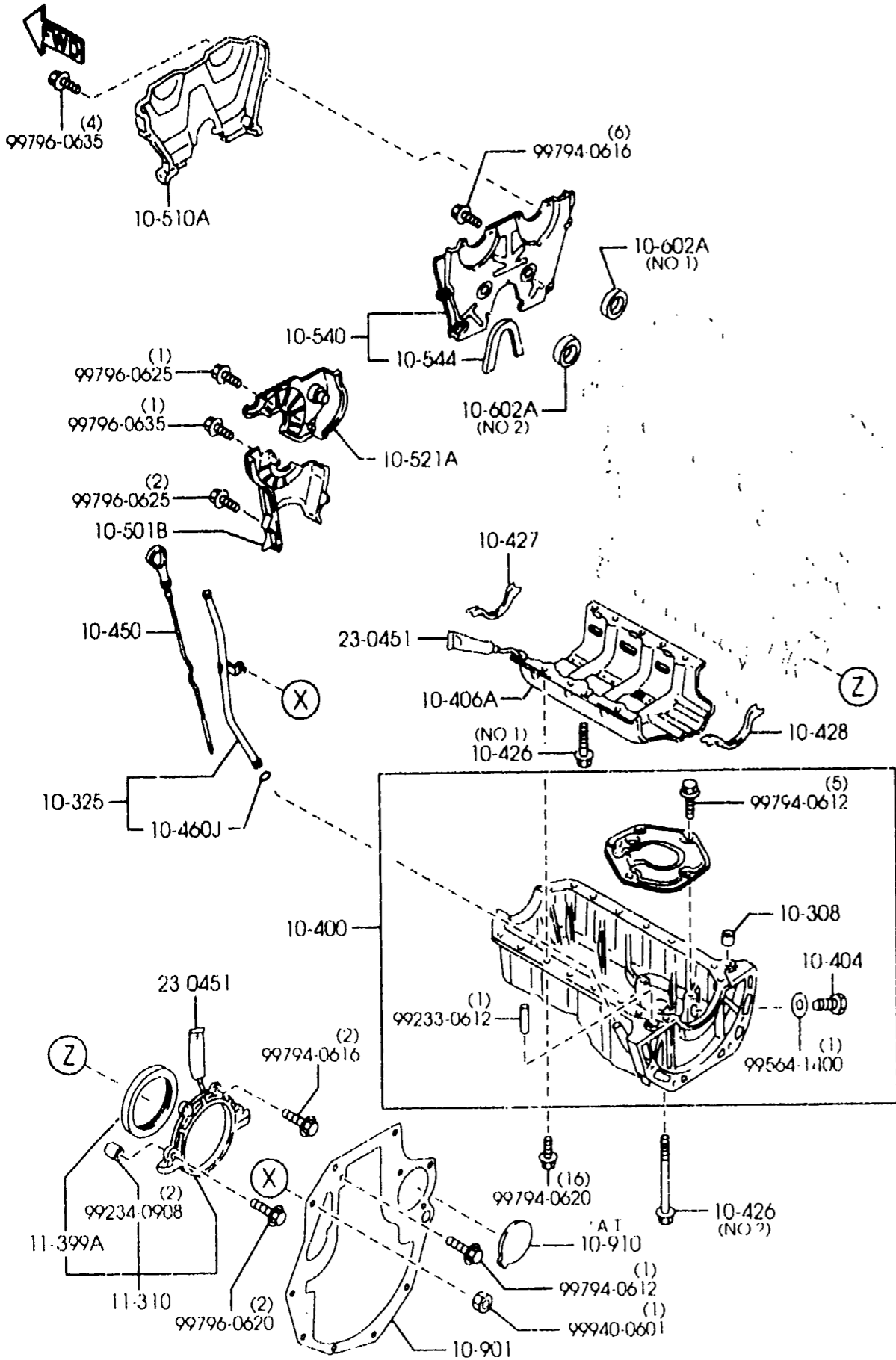
1040A OIL PAN & TIMING COVER



1040A -1 OIL PAN & TIMING COVER

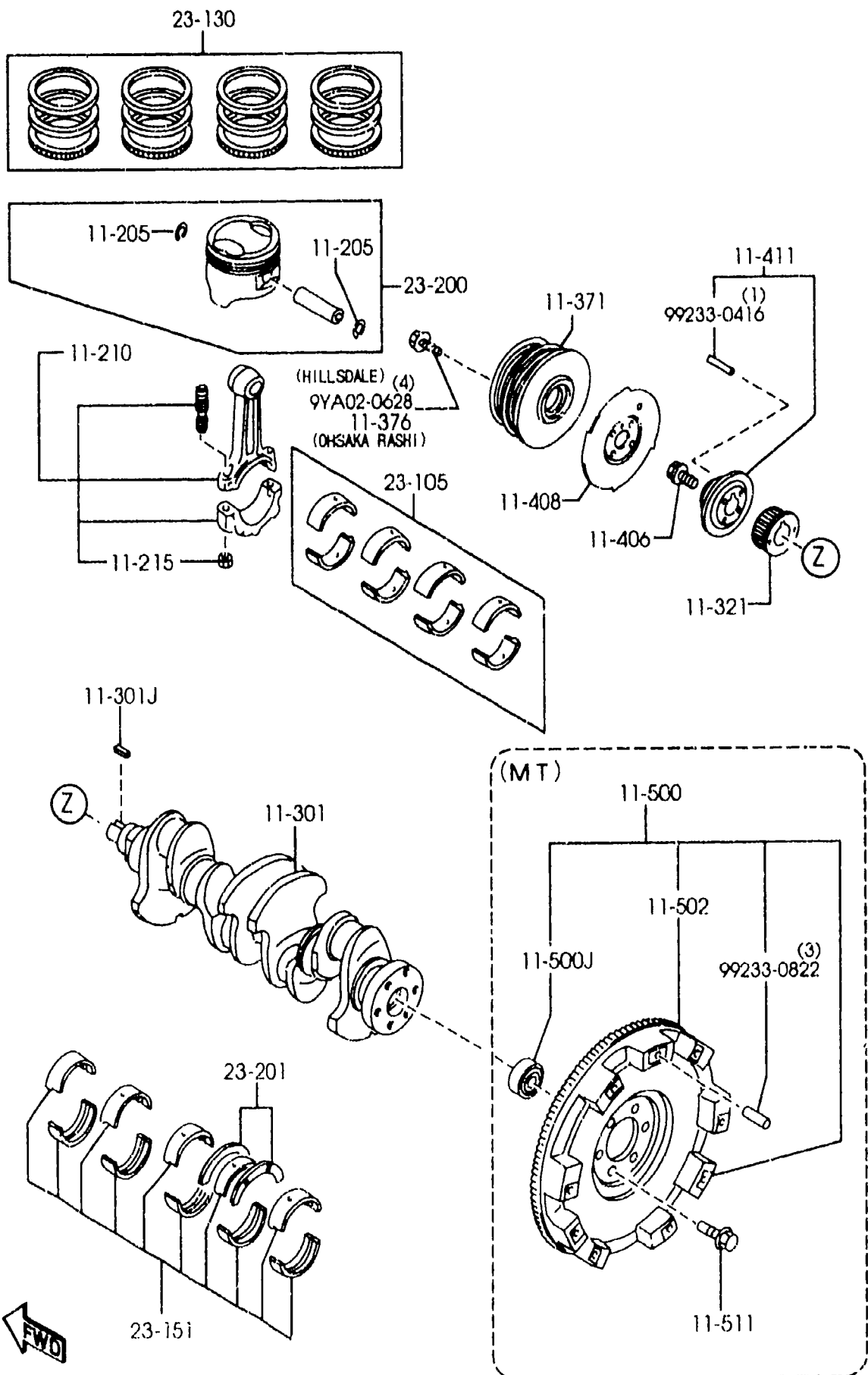
PART NO.	QTY	MODEL/RESTRICTION	MODEL/RESTRICTION	MODEL/RESTRICTION	FROM-TO
10-308		PIN, TUBULAR	RONDELLE TUBULAIRE		
B6F4-10-308	1				
10-325		PIPE, OIL LEVEL GAUGE	TUYAU,		
BP4W-10-440A	1				
10-400		PAN, OIL	CARTER D'HUILE		
BP6D-10-400A	1				
10-404		PLUG, DRAIN	BOUCHON DE VIDANGE		
B6S7-10-404B	1				
10-406A		PLATE, OIL BAFFLE	PLATEAU, CHICA. HU. - B .CYL.		
BP6D-10-40Y	1				
10-426		BOLT	BOULON		
B541-10-426B	8 (ILLUST. NO.1)				
B6S7-10-465	2 (ILLUST. NO.2)				
10-427		GASKET, OIL PAN NON ASBESTOS	GARNITURE, CARTER HUI LE NON ASBESTOS		
B541-10-427	1				
10-428		GASKET, OIL PAN NON ASBESTOS	GARNITURE, CARTER HUI LE NON ASBESTOS		
B541-10-428	1				
10-450		GAUGE, OIL LEVEL	JAUGE, NIVEAU D'HUI E		
BP4W-10-450	1				
10-460J		RING, 'O'	JOINT 'O'		
99541-00907	1				
10-501B		COVER, TIMING BELT-I.W R DAIKYOH	COUVERCLE INF. COURRO IR DI DAIKYOH		
B660-10-501E	1				
10-510A		COVER (UP.), TIMING CH AIN	COUVERCLE (SUP), CHA. DIST.		
BP6D-10-511	1				
10-521A		COVER, TIMING BELT-C.	COUVERCLE, COURROIE T EMPS.		
B660-10-521B	1				

1040A OIL PAN & TIMING COVER



PART NO.	QTY	MODEL/RESTRICTION	MODEL/RESTRICTION	MODEL/RESTRICTION	FROM-TO
10-540 BP6D-10-540	1	PLATE, SEAL-T. BELT COVER U	PLAQUE, JOINT-SUP. COUV. C		
10-544 B61P-10-544	1	RUBBER, SEAL-SEAL PLATE	CAOUTCHOUC, JOINT-P. JOINT		
10-602A FS05-10-602A ZL09-10-602	1 1	SEAL, OIL (ILLUST. NO. 1) (ILLUST. NO. 2)	ARRET D'HUILE		
10-901 BP4X-10-901 B61P-10-901B	1 1	PLATE, END (AT) (MT)	PLAQUE EN BOUT (B.V. AUTOM) (B.V. MANU)		
10-910 BP4X-10-903	1	COVER, END PLATE (AT)	COUVERCLE, PLAQUE BOUT (B.V. AUTOM)		
11-310 B366-11-310C	1	COVER, REAR RYOBI	COUVERCLE AR RYOBI		
11-399A BP05-11-312	1	SEAL, OIL-CRANKSHAFT	ARRET D'HUILE		
23-0451 B527-77-739	1	TUBE, SILICON	TUBE DE SILICONE		

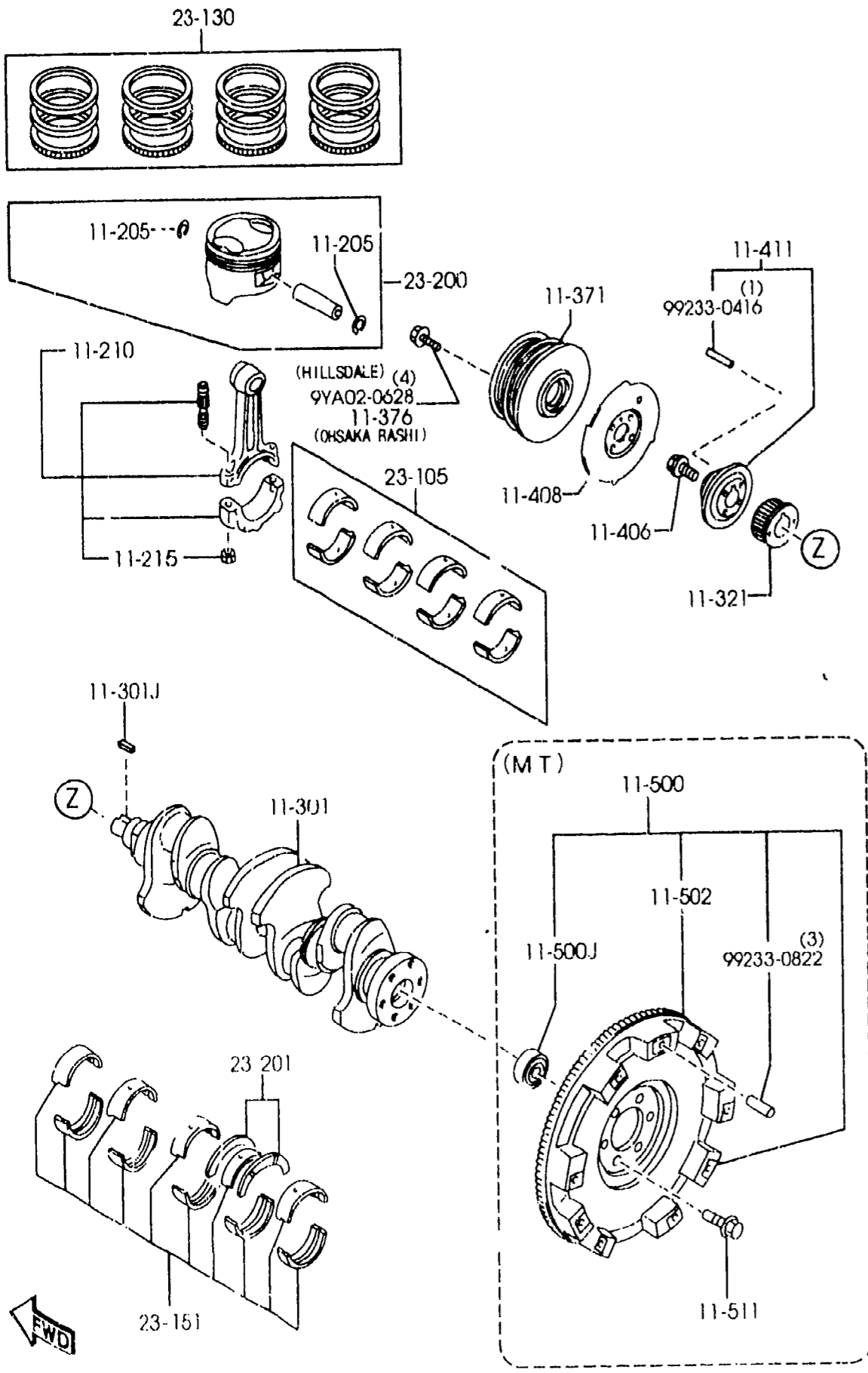
1100A PISTON, CRANKSHAFT & FLYWHEEL



1100A -2 PISTON, CRANKSHAFT & FLYWHEEL

PART NO.	QTY	MODEL/RESTRICTION	MODEL/RESTRICTION	MODEL/RESTRICTION	FROM-TO
11-500J F801-11-303	1	BEARING,BALL-FLY WHEEL (MT)	ROULEMENT A BILLES (B.V.MANU)		
11-502 B367-11-502	1	GEAR,RING-FLY WHEEL YOSHIWA (SUPPLIER IN SELECTION) (MT)	COURONNE, VOLANT MOTEUR YOSHIWA (B.V.MANU)		
11-502 0110-11-502	1	KANDA (SUPPLIER IN SELECTION) (MT)	KANDA (B.V.MANU)		
11-511 F201-11-511A	6	BOLT,LOCK-FLYWHEEL (MT)	BOULON DE BLOQUAGE (B.V.MANU)		
23-105 B6Y2-11-SE0A	1	METAL SET,CONN.ROD STD.	JEU,COUSSINET DE BIELLE STD.		
B6Y2-11-SFXA	1	O.S. 0.50	O.S. 0.50		
B6Y2-11-SFYA	1	O.S. 0.75	O.S. 0.75		
B6Y2-11-SF0A	1	O.S. 0.25	O.S. 0.25		
23-130 BPZ0-11-SC0B	1	RING SET,PISTON STD.	JEU,SEGMENTS DE PISTON STD.		
BPZ0-11-SUXB	1	O.S. 0.50	O.S. 0.50		
BPZ0-11-SD0B	1	O.S. 0.25	O.S. 0.25		
23-151 B6Y2-11-SG0	1	METAL SET,MAIN BRG. STD.	JEU,COUSSINET PRINCIPAL STD.		
B6Y1-11-SHX	1	O.S. 0.50	O.S. 0.50		
B6Y1-11-SHY	1	O.S. 0.75	O.S. 0.75		
B6Y1-11-SH0	1	O.S. 0.25	O.S. 0.25		
23-200 BPZ3-11-SA0		PISTON SET STD.	JEU DE PISTON STD.		

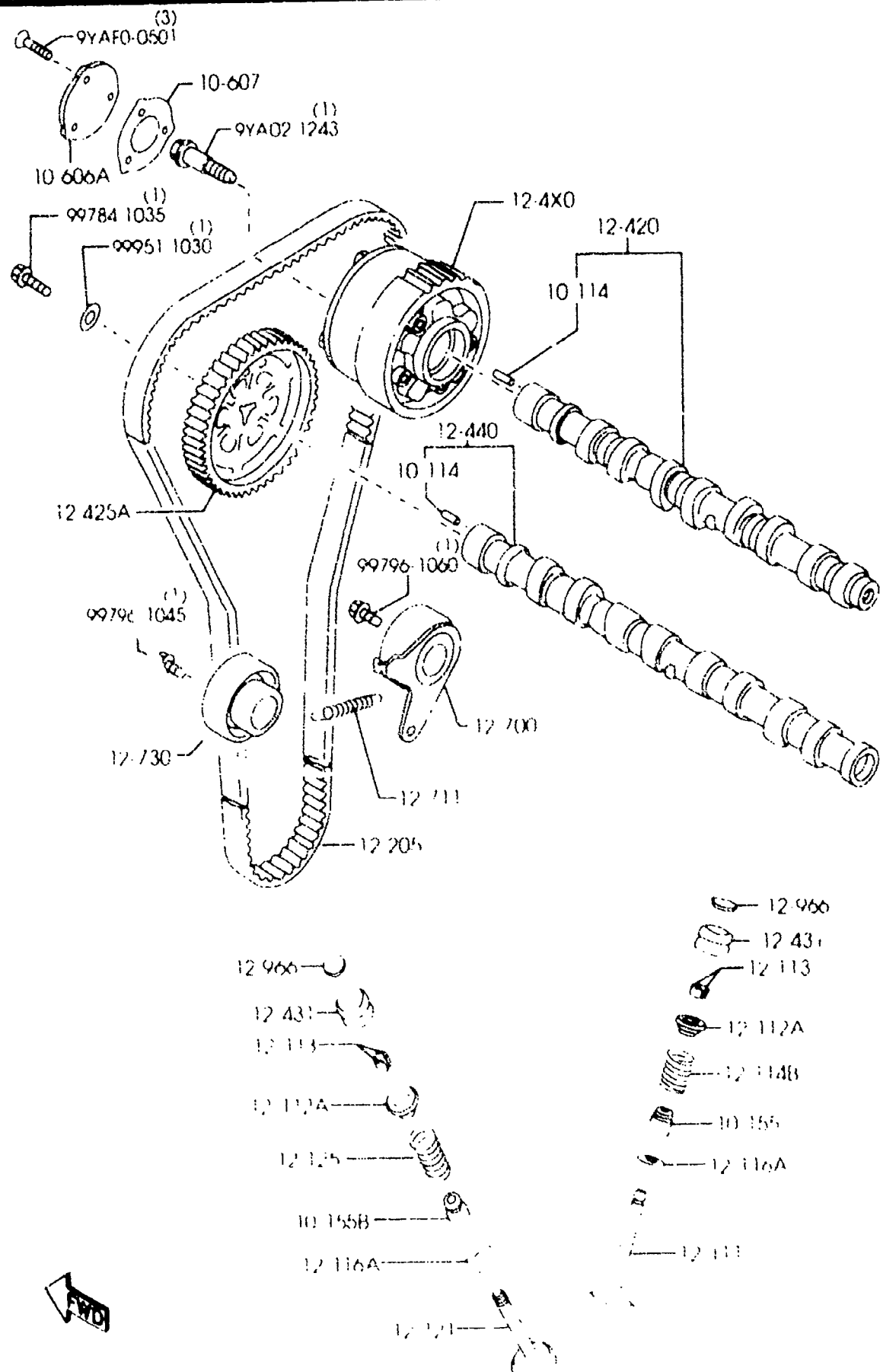
1100A PISTON, CRANKSHAFT & FLYWHEEL



1100A -3 * PISTON, CRANKSHAFT & FLYWHEEL

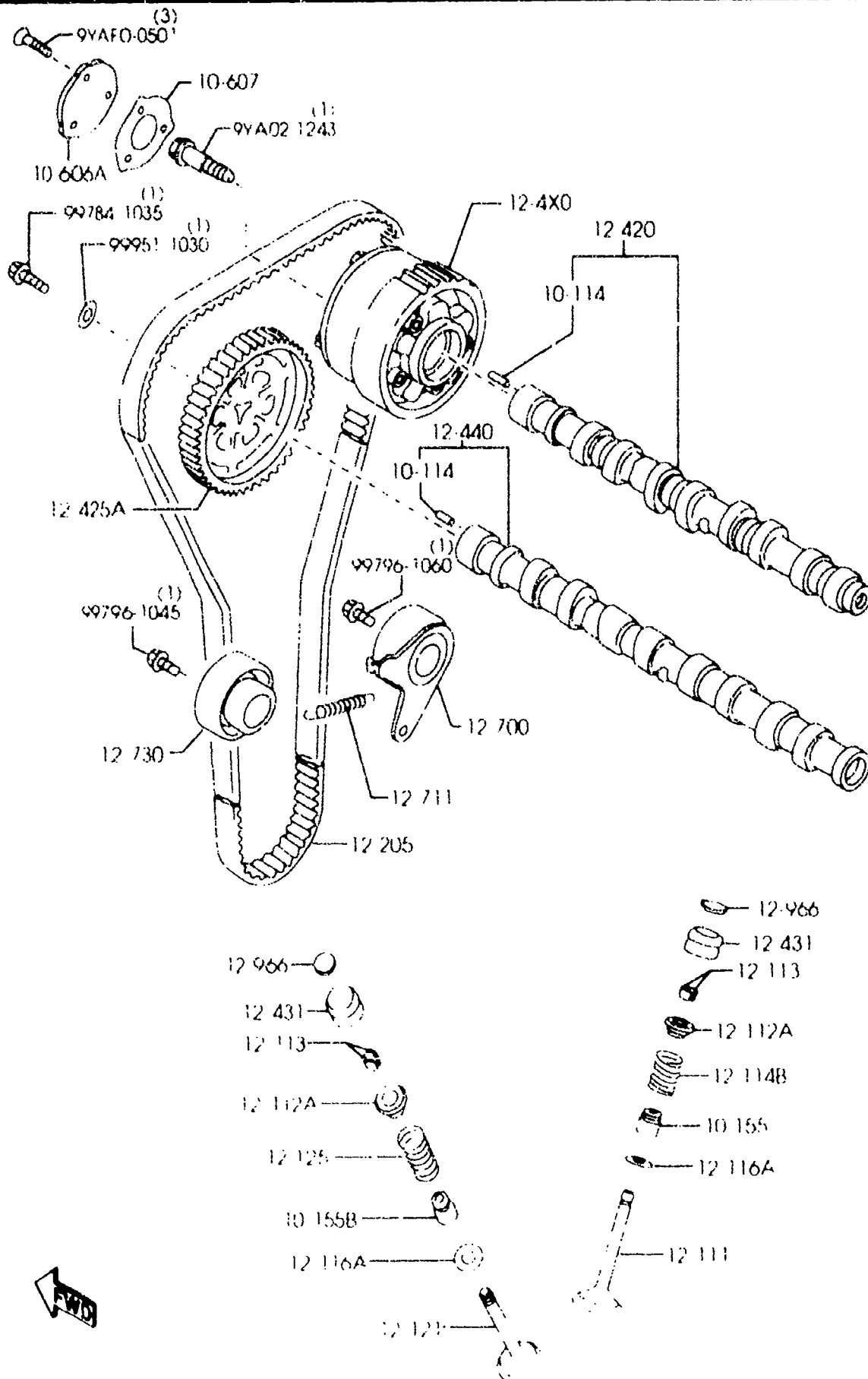
PART NO.	QTY	MODEL/RESTRICTION	MODEL/RESTRICTION	MODEL/RESTRICTION	FROM-TO
CONT'D					
BPZ3-11-SBX	4	O.S. 0.50	O.S. 0.50		
BPZ3-11-SB0	4	O.S. 0.25	O.S. 0.25		
23-201		METAL SET, THRUST	JEU, COUSSINET DE BUTEE		
B6Y2-11-SJ0	1	STD.	STD.		
B6Y2-11-SKX	1	O.S. 0.50	O.S. 0.50		
B6Y2-11-SKY	1	O.S. 0.75	O.S. 0.75		
B6Y2-11-SK0	1	O.S. 0.25	O.S. 0.25		

1200A VALVE SYSTEM



PART NO.	QTY	MODEL/RESTRICTION	MODEL/RESTRICTION	MODEL/RESTRICTION	FROM-TO
10-114		PIN, SET-CAM-SHAFT	BROCHE, JEU-ARBRE A CAMES.		
F801-10-114	2				
10-155		SEAL, VALVE	JOINT, QUEUE SOUPE		
KL01-10-155	8	NOK	NOK		
10-155B		SEAL, VALVE	JOINT, QUEUE SOUPE		
KL02-10-155	8	NOK	NOK		
10-606A		COVER, BLIND	COUVERCLE, STORE		
ZL09-10-606	1				
10-607		GASKET, BLIND COVER	JOINT, COUVERCLE. PLEINE		
ZL09-10-607	1				
12-111		VALVE, INLET	SOUPE D'ADMISSION		
BP6D-12-111	8				
12-112A		SEAT, VALVE SPG-UP.	FEUILLE SUP.,		
BP6D-12-113	16				
12-113		COTTER, VALVE-IN.	DEMI-CONE, SOUPE A DM.		
FS01-12-114	32				
12-114B		SPRING, VALVE	RESSORT, SOUPE		
BP6D-12-125	8				
12-116A		SEAT, VALVE SPG.-LWR	FEUILLE INF.,		
B66D-12-123A	16				
12-121		VALVE, EXHAUST	SOUPE D'ECHAPPEMENT		
BP4W-12-121	8				
12-125		SPRING, VALVE	RESSORT, SOUPE ADMISSION		
BP2Y-12-125A	8				
12-205		BELT, TIMING UNITTA	COURROIE DE DISTRIBUTION UNITTA		
B6S7-12-205D	1				

1200A VALVE SYSTEM

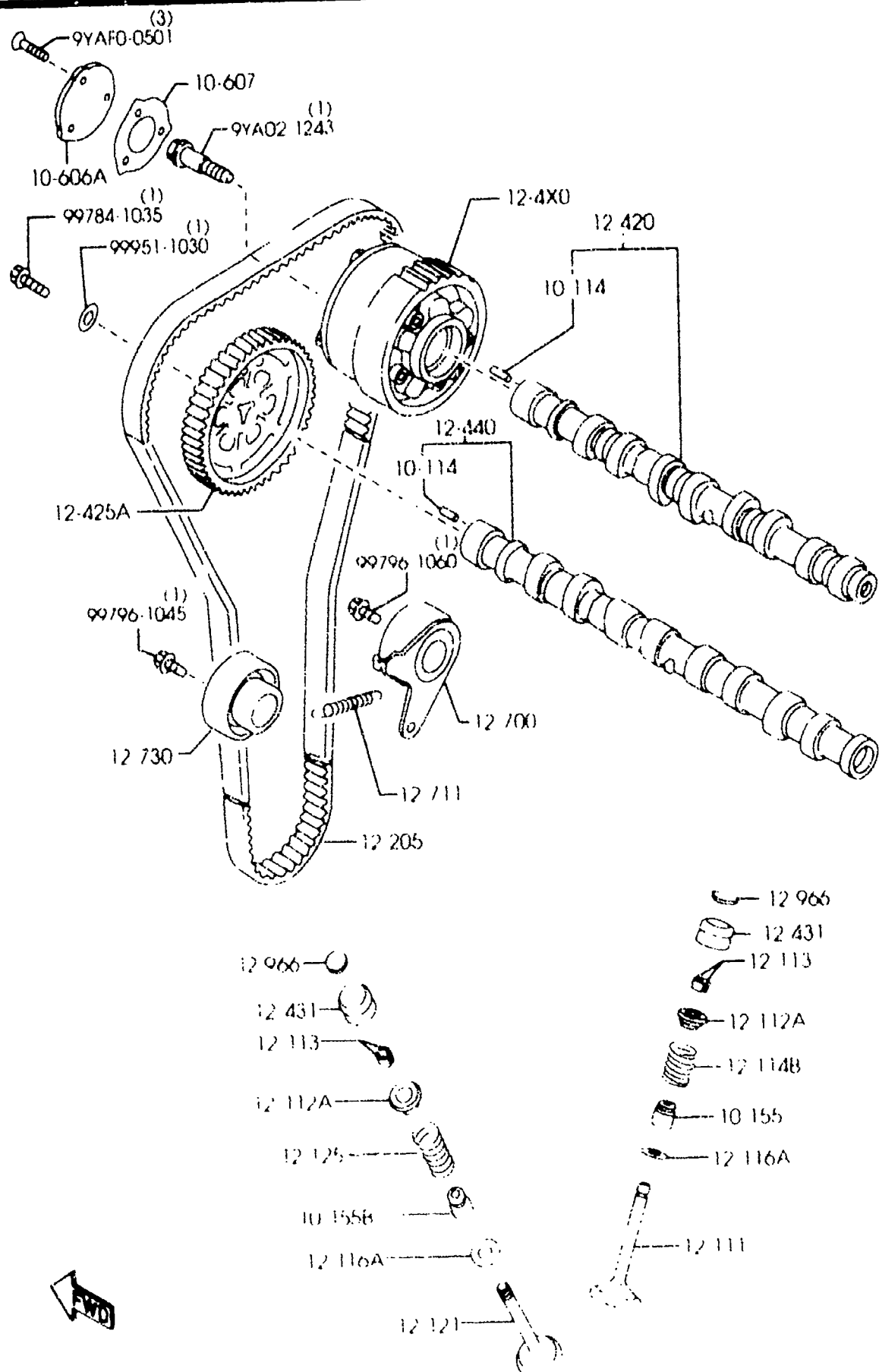


1200A -2 VALVE SYSTEM

PART NO.	QTY	MODEL/RESTRICTION	MODEL/RESTRICTION	MODEL/RESTRICTION	FROM-TO
12-4X0		ACTR 1	. V. TIM	ACTUATOR, SOUP. VARI.	
BP6D-12-4X0A	1	ING		TEMP	-0717
A (BP6D-12-4X0B)					0717-0906
BP6D-12-4X0B	1				0906-
AN(BP6D-12-4X0C)					
BP6D-12-4X0C	1				
12-420		CAMSHAFT		ARBRE A CAMES	
BP6D-12-420A	1				-0821
A (BP6D-12-420B)					0821-
BP6D-12-420B	1				
12-425A		PULLEY, CAMSHAFT		POULIE, ARBRE A CAMES	
B6S7-12-425A	1				
12-431		TAPPET		POUSSOIR	
BP2Y-12-183	16				
12-440		CAMSHAFT, EXHAUST		ARBRE CAMES, ECHAPPEM	
BP4W-12-440	1			ENT.	
12-700		TENSIONER, TIMING BEL		TENDEUR,	
B660-12-700E	1	T			-0904
AN(B660-12-700F)					0904-
B660-12-700F	1				
12-711		SPRING, TENSIONER		RESSORT, TENDEUR	
B660-12-711C	1				
12-730		IDLER, TIMING BELT		RALENTISSEUR, COURROI	
B660-12-730C	1			E T.	
12-966		DISC, ADJUSTING		DISQUE DE REGLAGE	
Z5Y1-12-541	16	T=2.750MM		T=2.750MM	
Z5Y2-12-541	16	T=2.800MM		T=2.800MM	
Z5Y3-12-541	16	T=2.850MM		T=2.850MM	
Z5Y4-12-541	16	T=2.900MM		T=2.900MM	
Z5Y5-12-541	16	T=2.950MM		T=2.950MM	

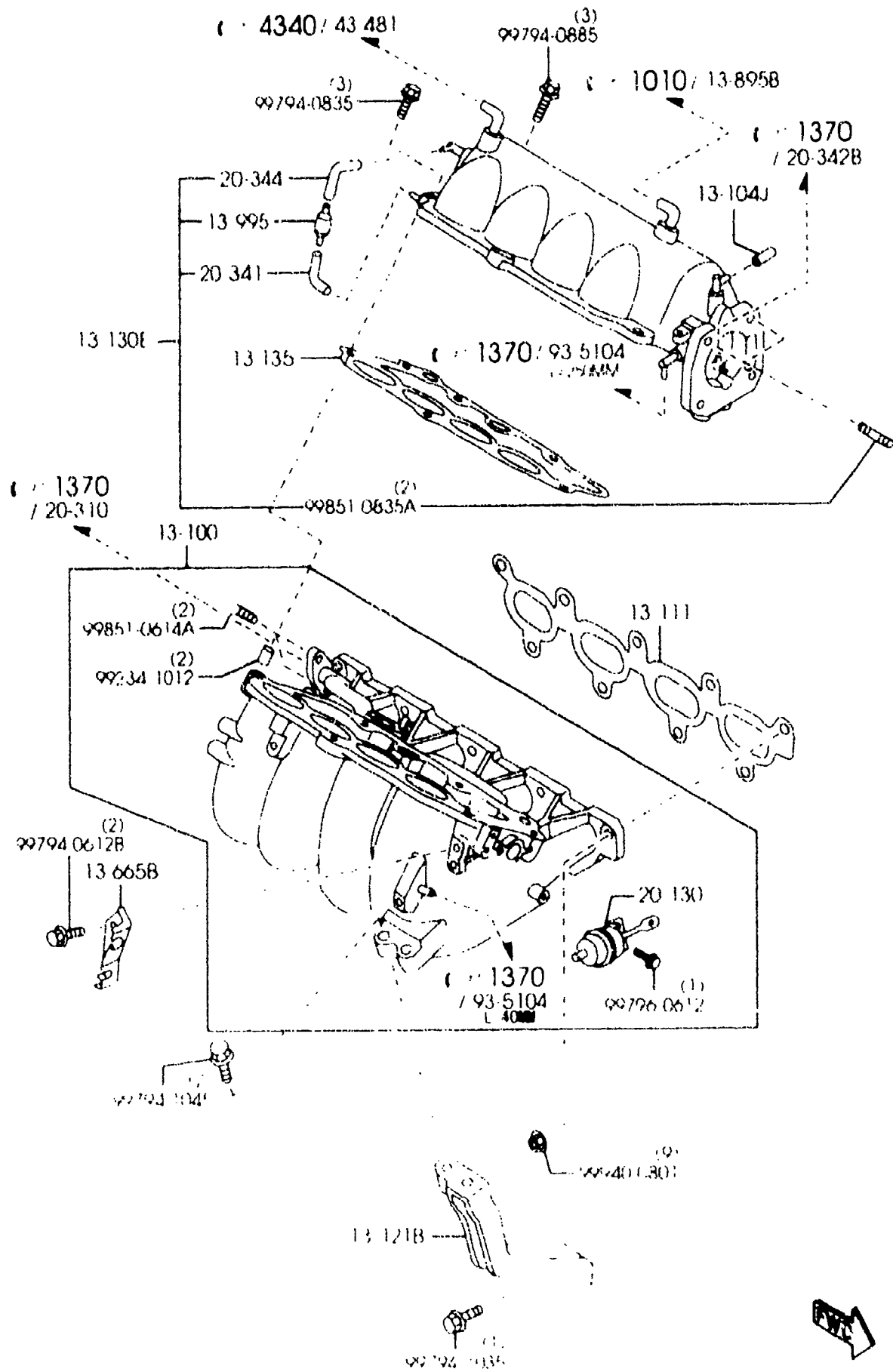
0717 NB35** -200062
 0821 NB35** -201834
 0904 NB35** -203612
 0906 NB35** -203889

1200A VALVE SYSTEM



PART NO	QTY	MODEL/RESTRICTION	MODEL/RESTRICTION	MODEL/RESTRICTION	FROM - TO
CONT'D					
Z5Y6-12-541	16	T=3.000MM	T=3.000MM		
Z502-12-545	16	T=3.052MM	T=3.052MM		
Z502-12-552	16	T=3.100MM	T=3.100MM		
Z502-12-558	16	T=3.148MM	T=3.148MM		
Z502-12-565	16	T=3.196MM	T=3.196MM		
Z502-12-573	16	T=3.252MM	T=3.252MM		
Z502-12-579	16	T=3.300MM	T=3.300MM		
Z502-12-586	16	T=3.348MM	T=3.348MM		
Z502-12-593	16	T=3.396MM	T=3.396MM		

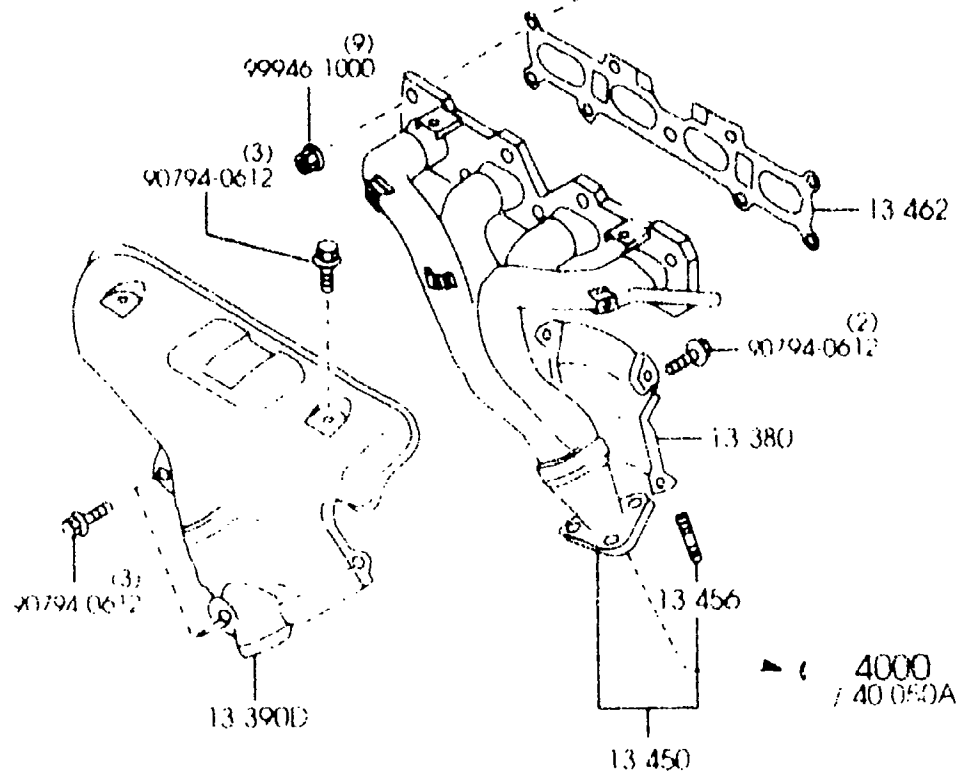
1300A INLET MANIFOLD



PART NO.	QTY	MODEL/RESTRICTION	MODEL/RESTRICTION	MODEL/RESTRICTION	FROM-TO
13-100	1	MANIFOLD, INLET	COLLECTEUR, ADMISSIO N		
BP6F-13-100A	1				
13-104J	1	CAP, BLIND	BOUCHON		
1010-13-104	1				
13-111	1	GASKET, IN. MANIFOLD	JOINT, COLLECTEUR AD		
BP4W-13-111	1				
13-121B	1	STAY, MANIFOLD	SUPPORT, TUBULURE ADM ISS.		
B7E8-13-121	1				
13-130E	1	TANK, SURGE	RESERVOIR D'EXPANSIO N		
BP6F-13-130B	1				
13-135	1	GASKET	JOINT		
BP6F-13-135	1				
13-665B	1	BRACKET, ACCEL WIRE	SUPPORT,		
BP4W-13-665	1				
13-995	1	VALVE, CHECK	SOUPAPE DE RETENUE		
HE41-13-995	1				
20-130	1	ACTUATOR, SHUTTER VAL VE	ACTUATOR, VANNE OBTUR ATION		
BP6F-20-170	1				
20-341	1	HOSE, VACUUM	TUBE, VIDE-CONTACTEUR VIDE		
FE68-20-341	1				
20-344	1	TUBE, VACUUM	FLEXIBLE VIDE-MOPULA T SOU		
BP6F-20-344	1				

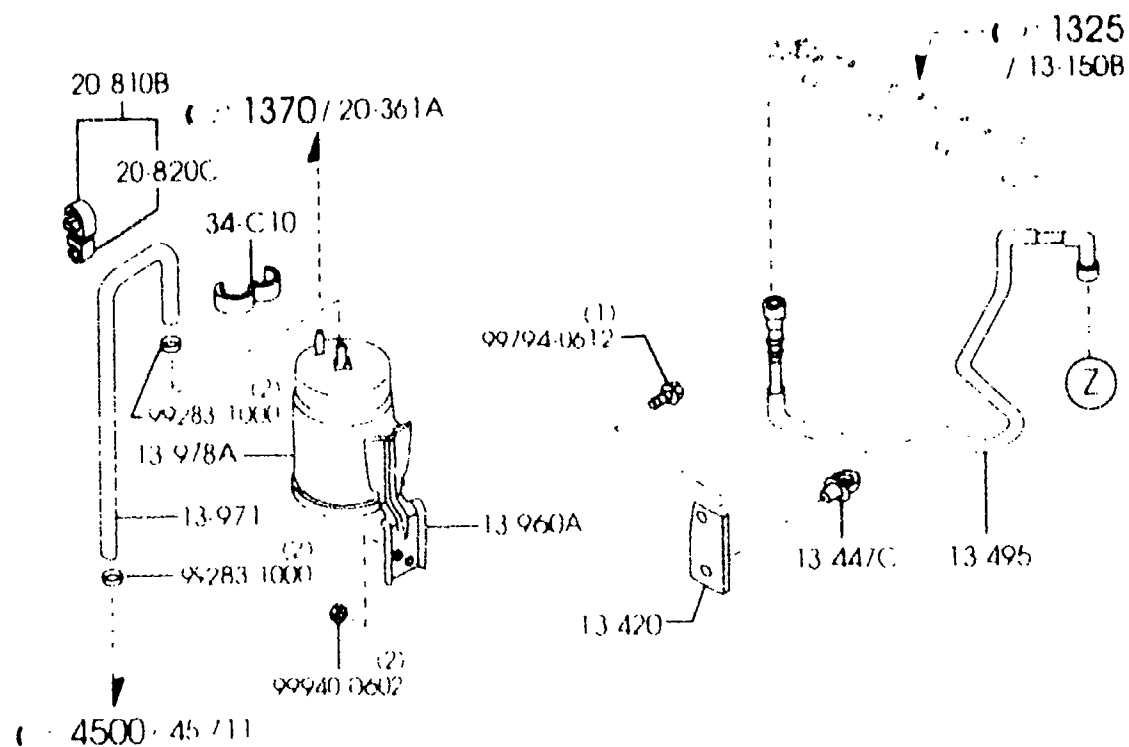
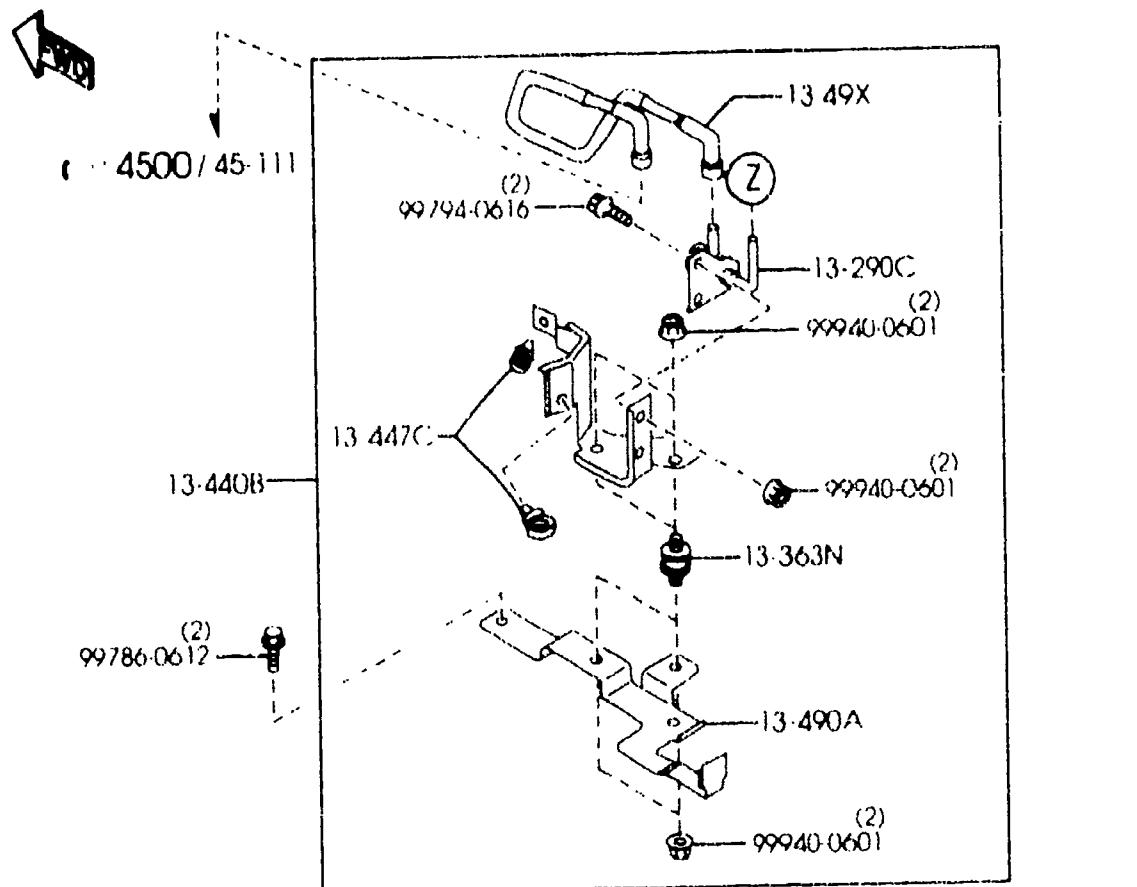
1310A EXHAUST MANIFOLD

1310A -1 EXHAUST MANIFOLD

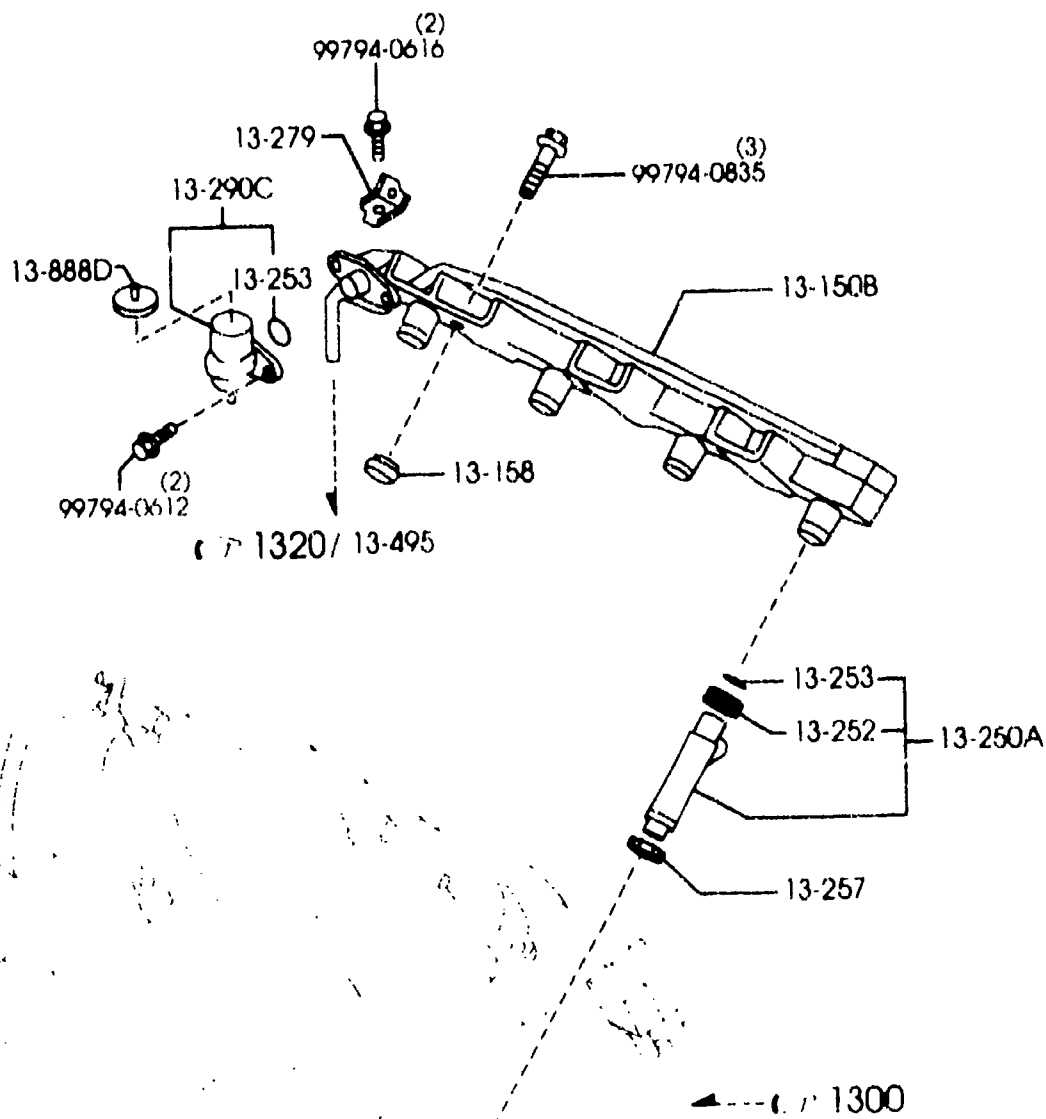


PART NO.	QTY	MODEL/RESTRICTION	MODEL/RESTRICTION	MODEL/RESTRICTION	FROM-TO
13-380 BP6F-13-380	1	INSULATOR, HEAT	ISULANT, CHALEUR		
13-390D BP6F-13-390A	1	INSULATOR, EX. MANIFOLD	ISOLATEUR		
13-450 BP6F-13-450A	1	MANIFOLD, EXHAUST	COLLECTEUR, ECHAPPEMENT		
13-456 2306-13-456	3	STUD	BOUJON		
13-462 BPDS-13-460	1	GASKET, EX. MANIFOLD	JOINT, COLLECTEUR ECHAPPEMENT		

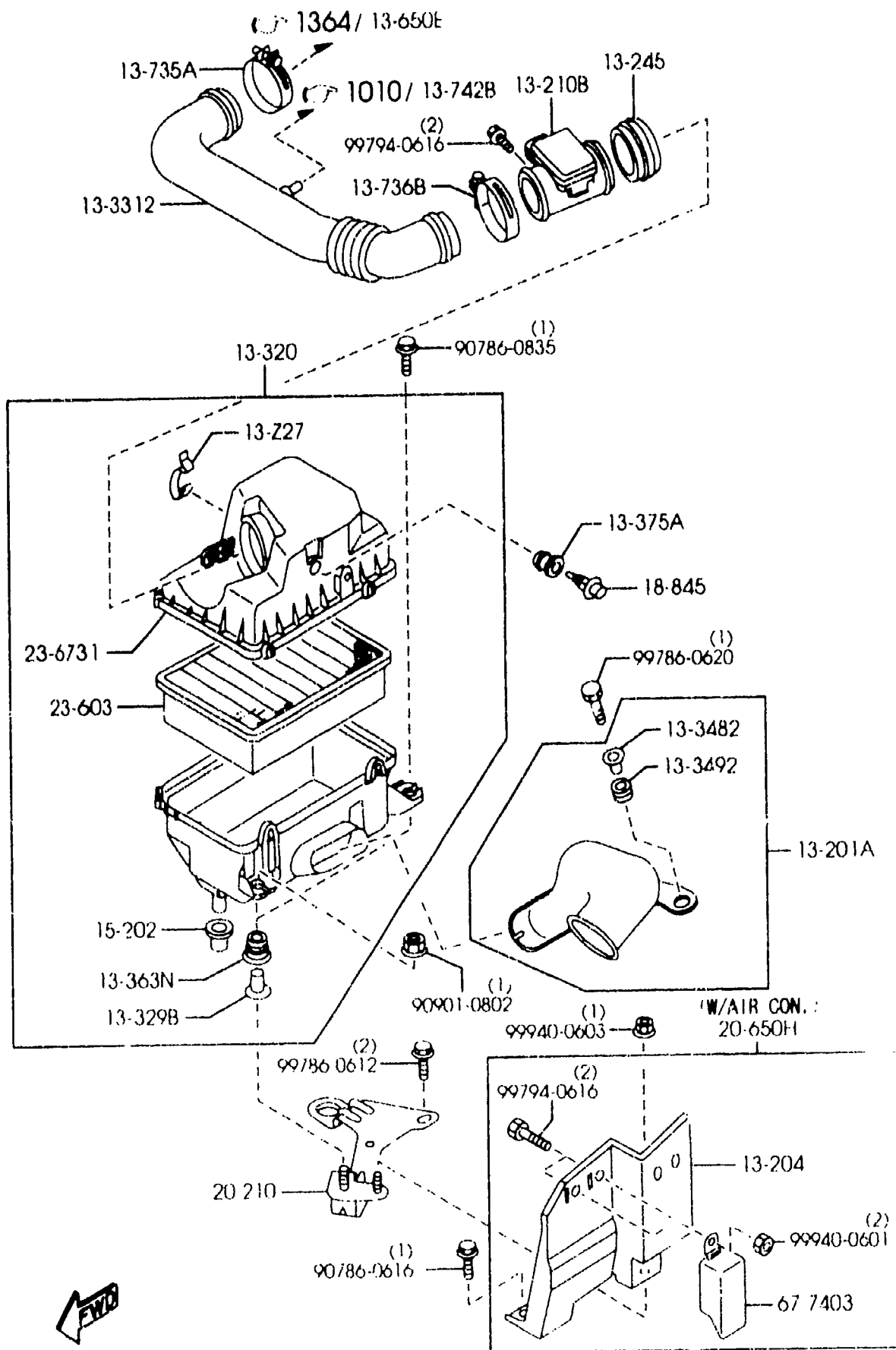
1320A FUEL SYSTEM



PART NO.	QTY	MODEL/RESTRICTION	MODEL/RESTRICTION	MODEL/RESTRICTION	FROM-TO
13-290C BP4X-20-180	1	DAMPER,PULSATION	AMOTISSEUR DE PULSATIONS		
13-363N 0222-13-363	2	RUBBER,MOUNTING	CAOUTCHOUC DE FIXATION		
13-420 BP5A-13-425A	1	BRACKET	ATTACHE		
13-440B BP4W-13-44YA	1	BRACKET,FUEL FILTER	SUPPORT		
13-447C BP4W-13-447	3	CLAMP,HOSE	COLLIER DE SERRAGE		
13-49X BP4W-13-49XA	1	HOSE,FUEL	TUYAU,COMUST.-E.G.I.		
13-490A BP4W-13-440	1	BRACKET,FUEL FILTER	SUPPORT,FILTRE,ESSENCE		
13-495 BP6F-13-495	1	HOSE,FUEL	TUYAU FLEXIBLE,CARBURANT		
13-960A B61P-13-960A	1	BRACKET,CANISTER	SUPPORT,CARTOUCHE FILT.		
13-971 BP4W-13-971	1	HOSE,VENTILATION	CONDUIT D'AERATION		
13-978A JE96-13-978	1	TANK,CATCH	RESERVOIR,ARRET		
20-810B B542-20-810	1	CLIP	COLLIER		
20-820C B367-20-811	1	CLIP,HOSE	COLLIER,TUYAU		
34-C10 B214-34-C10	1	BAND,PIPE	BANDE,TUYAU.		



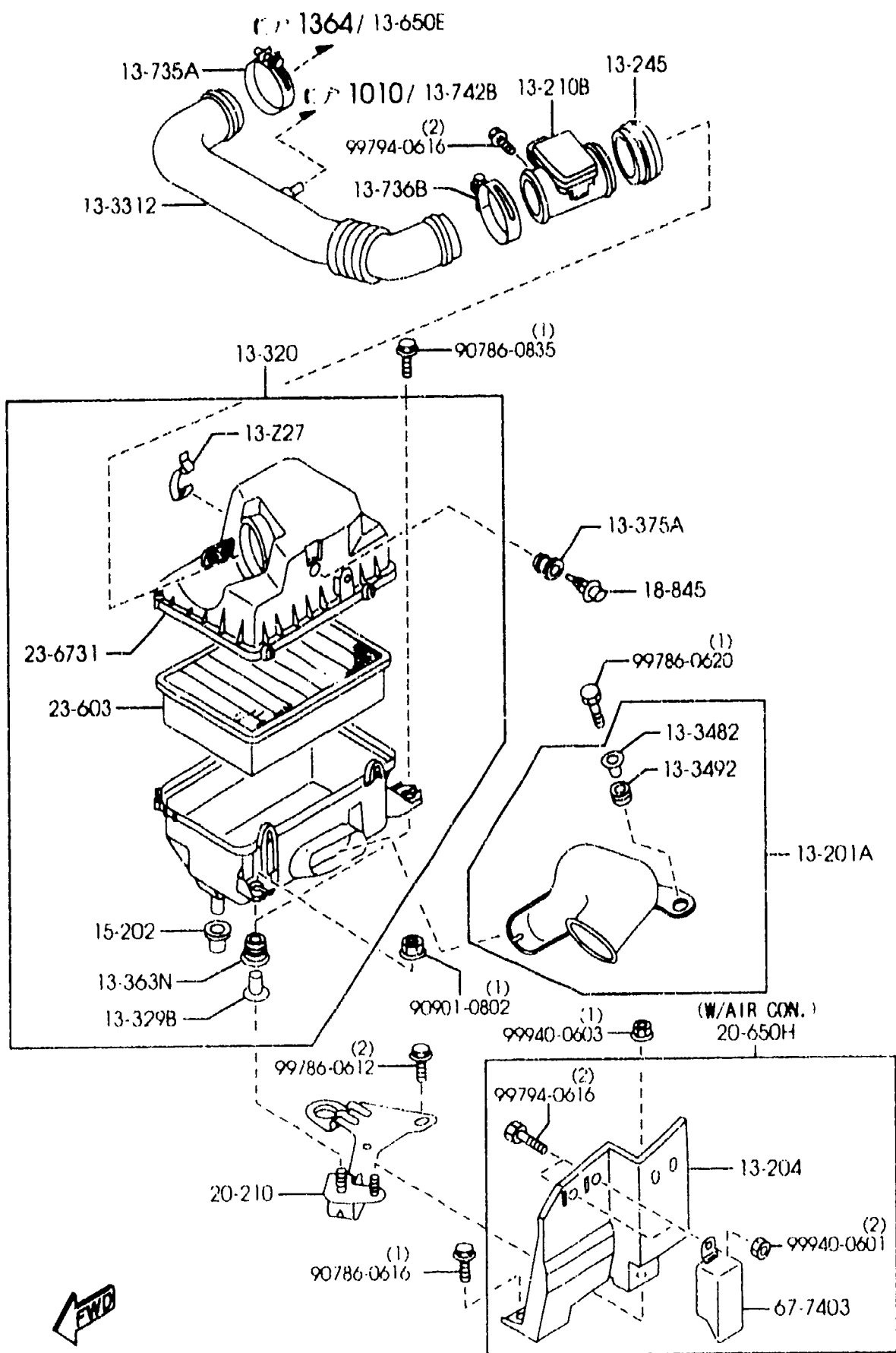
PART NO.	QTY	MODEL/RESTRICTION	MODEL/RESTRICTION	MODEL/RESTRICTION	FROM-TO
13-150B BP6F-13-150B	1	DISTRIBUTOR, FUEL	DISTRIBUTEUR DE CARBURANT		
13-158 B675-13-158	3	INSULATOR, FUEL DIST.	ISOLANT, DISTRIBUT. HUILE		
13-250A BP60-13-250A	4	INJECTION, FUEL-M.P.ELECT.	INJECTEUR DE CARBURANT		
13-252 B574-13-252	4	GROMMET	ANNEAU		
13-253 B574-13-253	5	RING, 'O'	JOINT 'O'		
13-257 B574-13-257	4	INSULATOR, INJECTION	ISOLANT		
13-279 BP6F-13-279	1	BRACKET	ATTACHE		
13-290C BP4W-20-100	1	DAMPER, PULSATION	AMORTISSEUR DE PULSATIONS		
13-888D BP6F-13-888	1	PROTECTOR	PROTECTEUR.		



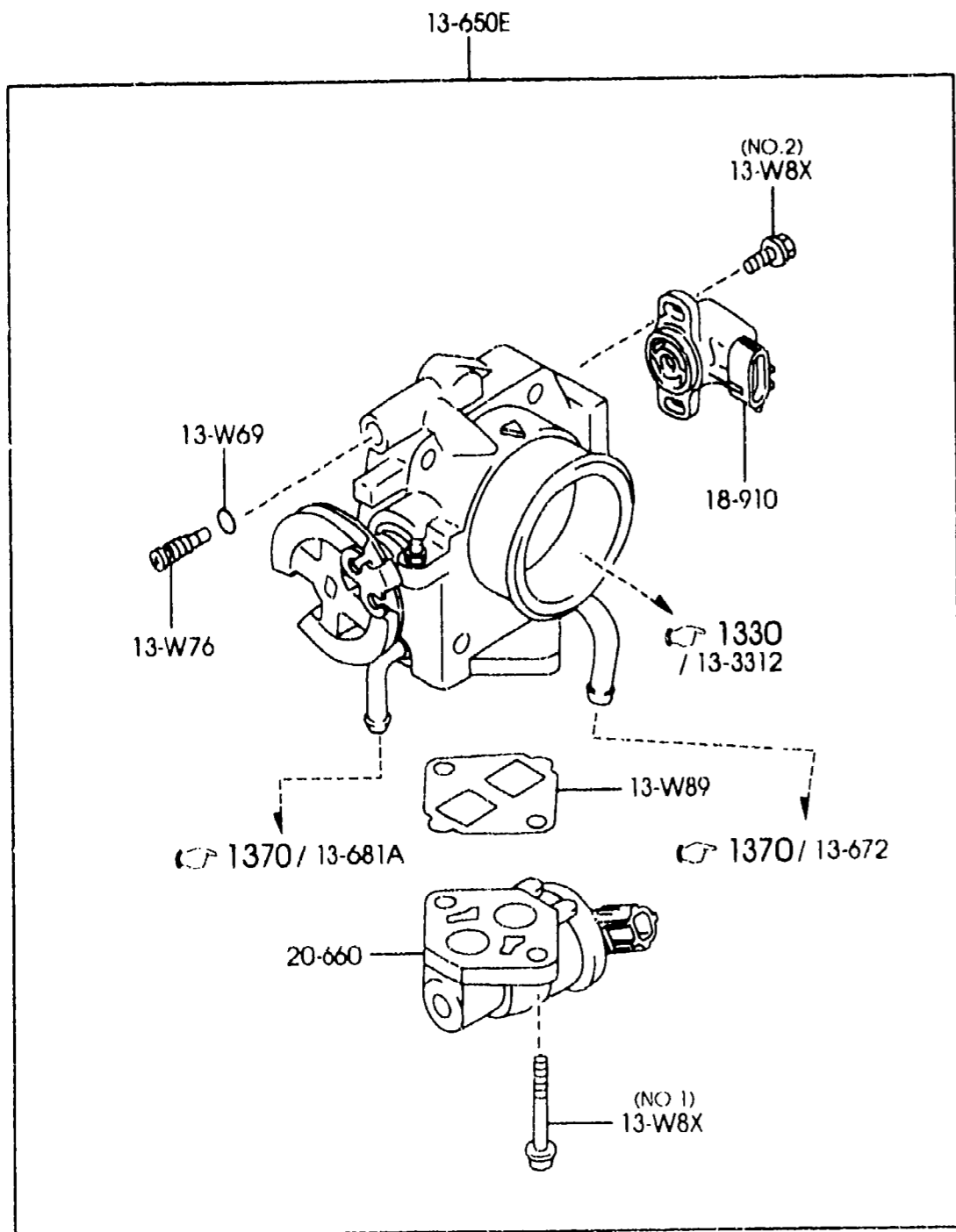
PART NO.	QTY	MODEL/RESTRICTION	MODEL/RESTRICTION	MODEL/RESTRICTION	FROM-TO
13-227		CLIP	COLLIER		
B593-13-227	2				
13-201A		DUCT, FRESH AIR	CONDUITE D'AIR FRAIS		
BP6D-13-200	1	(W/O AIR CON.)			-0B16
BP6D-13-200	1	(W/AIR CON.)			-1901
BP6F-13-200	1	(W/O AIR CON.)			0B16-
BP6F-13-200	1	(W/AIR CON.)			1901-
13-204		BAFFLE, AIR INTAKE	CHICANE, ARRIVEE AIR		
BP4W-13-204A	1				
13-210B		SENSOR, AIR FLOW	CAPTEUR DE DEBIT D'AIR		
FS1E-13-215	1				
13-245		JOINT, RUBBER	RACCORD DE CAOUTCHOUC		
B57B-13-245B	1		C		
13-320		CLEANER, AIR	FILTRE A AIR		
BP4W-13-320A	1				
13-329B		SPACER	RONDELLE		
FE51-13-329	2				
13-3312		PIPE, AIR INTAKE	CONDUIT, ASPIRATION D'AIR		
BP6D-13-331	1				
13-3482		SPACER, AIR INT. PIPE	ENTRE., TUBE PRISE AIR.		
SLA1-13-321	1				
13-3492		INSULATOR	I, SOLATEUR		
S501-13-349	1				
13-363N		RUBBER, MOUNTING	CAOUTCHOUC DE FIXATION		
FE51-13-363	2				
13-375A		GROMMET, EX. INSULATOR	BAGUE, ISOLANT EXT. - I		
KL47-13-375	1	-LOW	NF.		
13-735A		CLAMP, HOSE	POSITONN. FLEX. - TUBE AIR		
0B16 NB35**		206795			
1901 NB35**		221806			

1330A AIR CLEANER

1330A -2 H AIR CLEANER

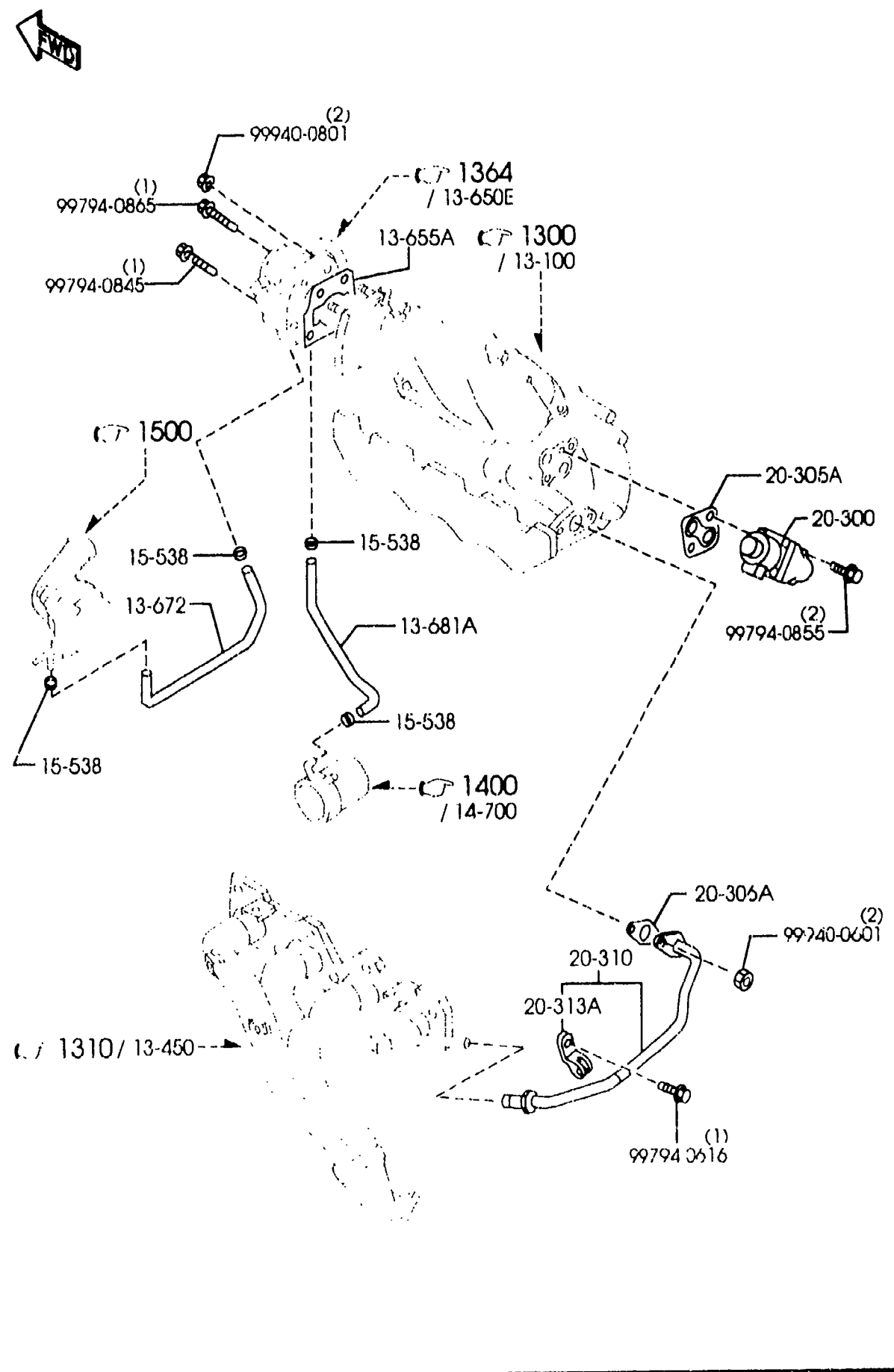
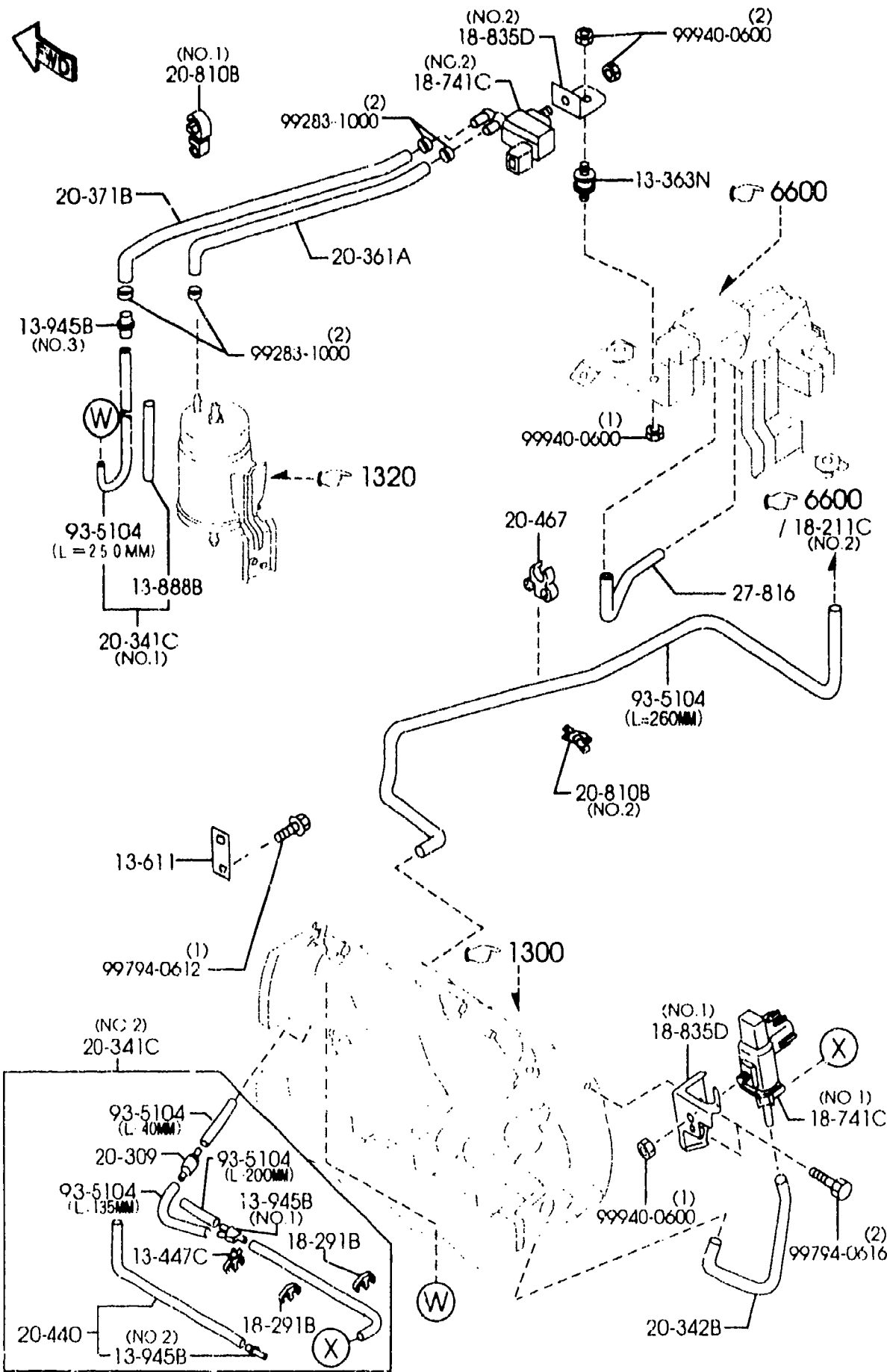


PART NO.	QTY	MODEL/RESTRICTION	MODEL/RESTRICTION	MODEL/RESTRICTION	FROM-TO
CONT'D BP4W-13-735	1				
13-736B		CLAMP, HOSE	COLLIER, TUYAU FLEXIBLE		
B6CK-13-735	1				
15-202		RUBBER, MOUNT	CAOUTCHOUC, TASSEAU		
B61P-13-266	1				
18-845		SENSOR, IN. AIR TEMP	CAPTEUR		
BP4W-18-845	1				
20-210		BRACKET, AIR CLEANER	ATTACHE, FILTRE AIR		
BP4W-20-210	1				
20-650H		BRACKET, AIR PIPE	SUPPORT TUYAU AIR		
BP5A-20-650A	1 (W/AIR CON.)				
23-603		ELEMENT, AIR CLEANER	ELEMENT, FILTRE A AIR		
FS05-13-240	1				
23-6731		COVER, AIR CLEANER	CACHE		
BP4W-13-201A	1				
67-7403		RELAY, N.O.	RELAIS, N.O.		
H310-67-740	1	30A	30A		



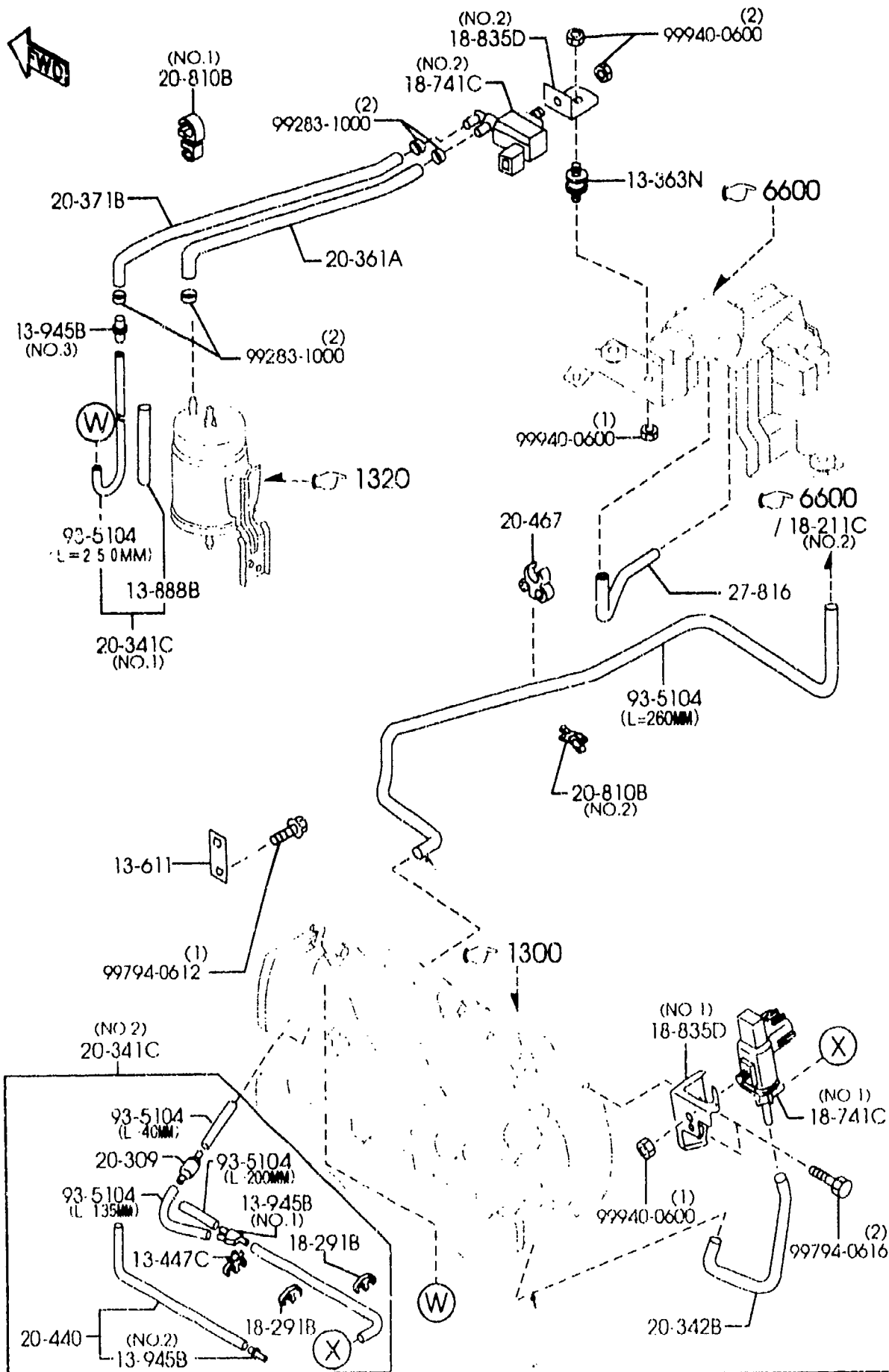
PART NO.	QTY	MODEL/RESTRICTION	MODEL/RESTRICTION	MODEL/RESTRICTION	FROM-TO
13-W69 K801-13-W69	1	RING, 'O'	JOINT 'O'		
13-W76 K801-13-W76	1	SCREW, ID. ADJUST-TH. BODY	VIS, REGLAGE RALENTI-REGLA		
13-W8X BP2Y-13-W8X B551-13-W8X	2 (ILLUST. NO.1) 2 (ILLUST. NO.2)	SCREW & WASHER SET	JEU VIS & RONDELLE		
13-W89 BP2Y-13-W89	1	GASKET, THERMO	JOINT, THERMO		
13-650E BP4W-13-640A BP4X-13-640A	1 (MT) 1 (AT)	BODY, THROTTLE	CORPS, ETRANGLEUR (B.V. MANU) (B.V. AUTOM)		
18-910 BP2Y-18-911A	1	SENSOR, THROTTLE-CARB	CAPTEUR, PAPILLON-CARBURT.		
20-660 BP4W-20-660	1	VALVE, IDLE AIR CONTR	SOUPAPE, CONTROLE AI BYPAS		





1370A EMISSION CONTROL SYSTEM (INLET SIDE)

(1/2)



1370A -1 EMISSION CONTROL SYSTEM (INLET SIDE)

PART NO.	QTY	MODEL/RESTRICTION	MODEL/RESTRICTION	MODEL/RESTRICTION	FROM-TO
13-363N	1	RUBBER, MOUNTING	CAOUTCHOUC DE FIXATION		
0222-13-363					
13-447C	1	CLAMP, HOSE	COLLIER DE SERRAGE		
RF67-13-447					
13-611	1	BRACKET	ATTACHE		
BP4W-13-642					
13-655A	1	GASKET	JOINT		
B6BF-13-655					
13-672	1	HOSE, WATER	DURITE D'EAU		
BP4W-13-682					
13-681A	1	HOSE, WATER	TUYAU FLEXIBLE, EAU		
BP4W-13-681B					
13-888B	1	PROTECTOR, VACUUM TUBE	PROTECTEUR, TUBE VIDE		
ZL01-13-888					
13-945B	1	CONNECTOR	RACCORD		
FEH2-13-945					
F807-13-945	1	(ILLUST. NO. 1)			
SL44-13-987	1	(ILLUST. NO. 2)			
15-538	4	CLAMP, WATER HOSE	COLLIER, FLEXIBLE EAU		
B6BF-15-538					
18-291	2	CLAMP, HOSE	ETRIER		
HE21-18-291					
18-741C	1	VALVE, SOLENOID	SOUPAPE DE SOLENOID		
BP5W-18-741					
KL65-18-741	1	(ILLUST. NO. 1)			
18-835D	1	BRACKET, SOLENOID VALVE	SUPPORT, SOUPAPE SOLENOIDE		
BP5W-18-835B					
BP4W-18-837	1	(ILLUST. NO. 2)			

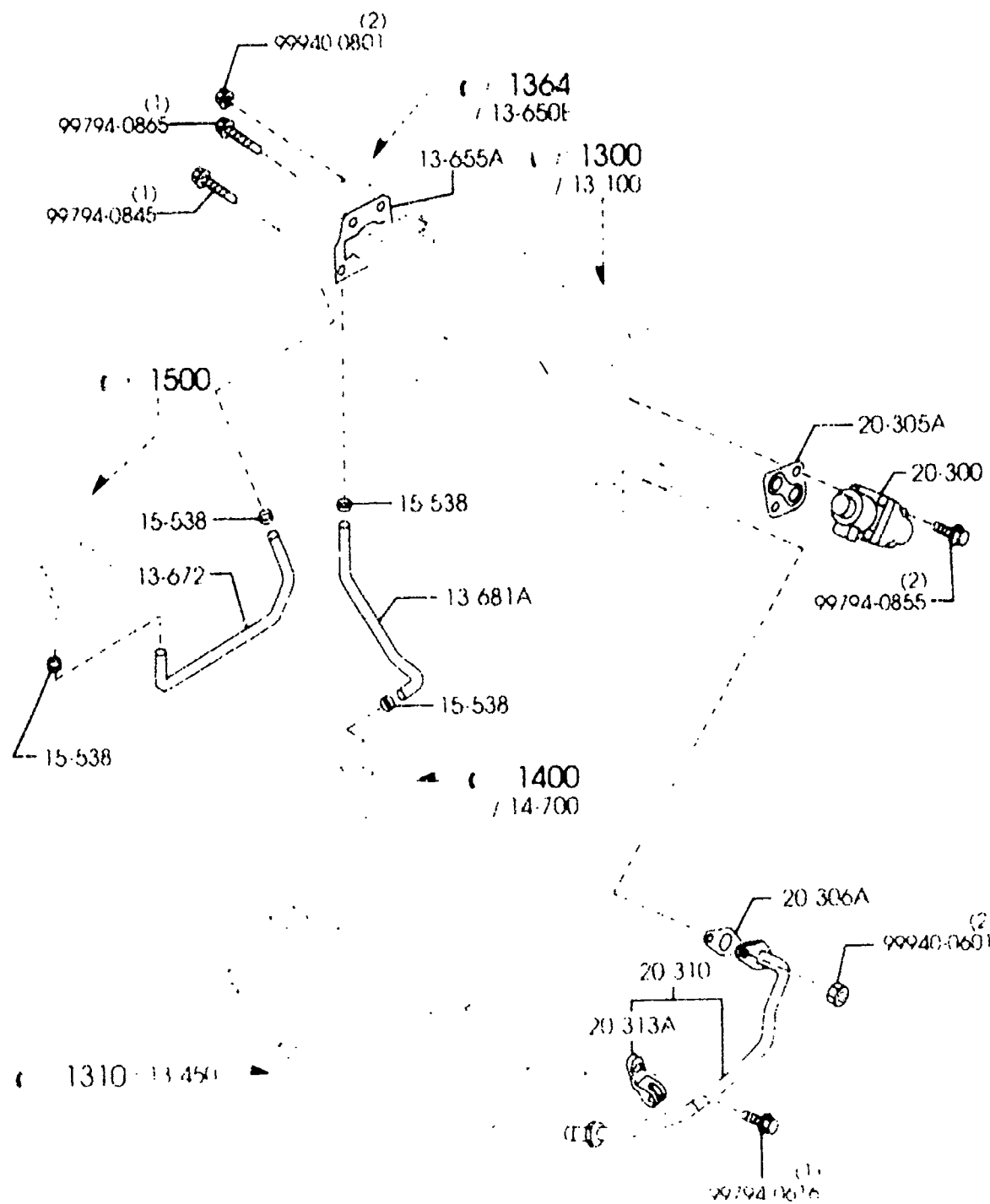
AUNA08

CAT. AUNA08-04

2001-12

1370A EMISSION CONTROL SYSTEM (INLET SIDE)

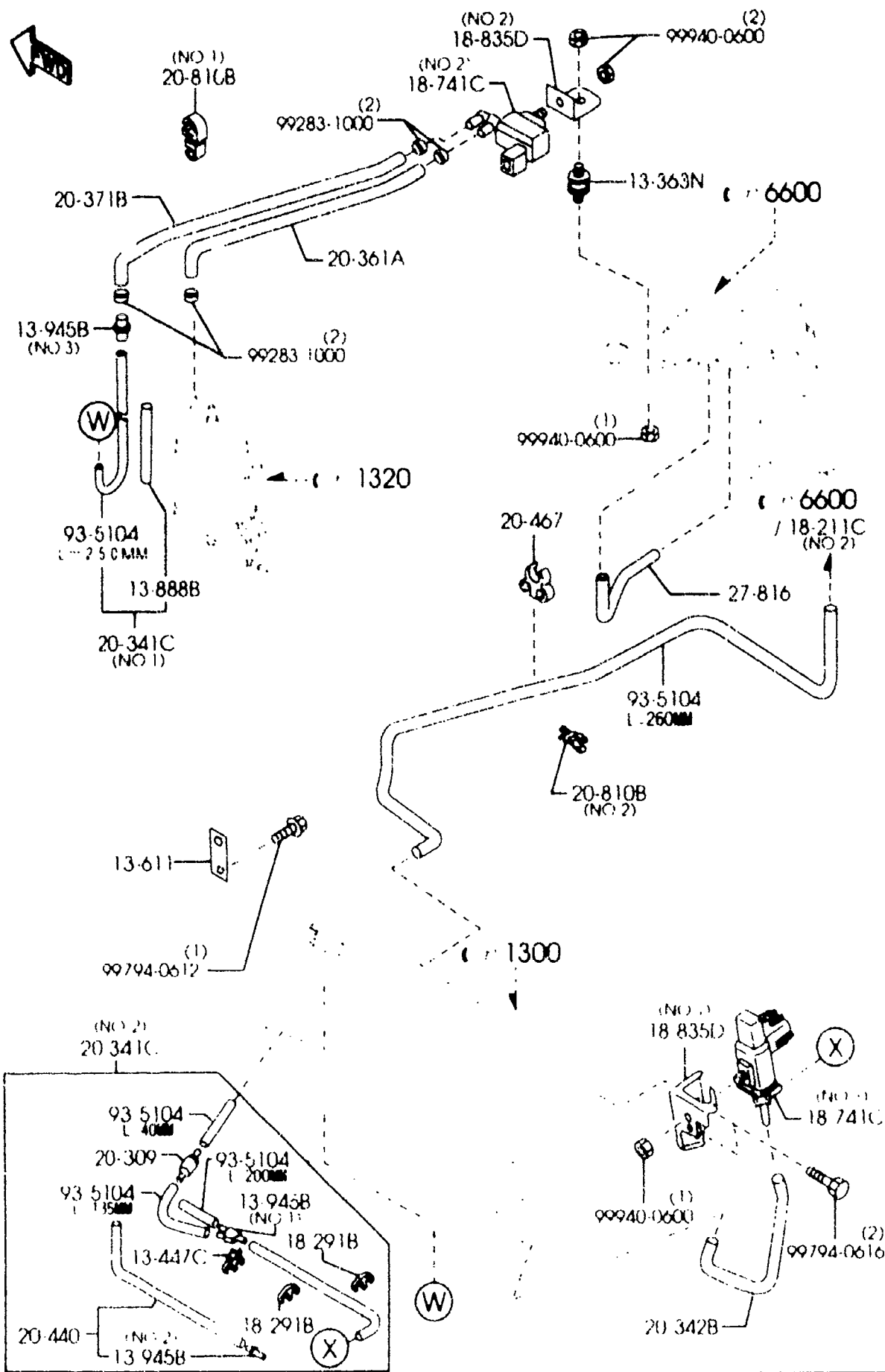
2 / 2



1370A -2 EMISSION CONTROL SYSTEM (INLET SIDE)

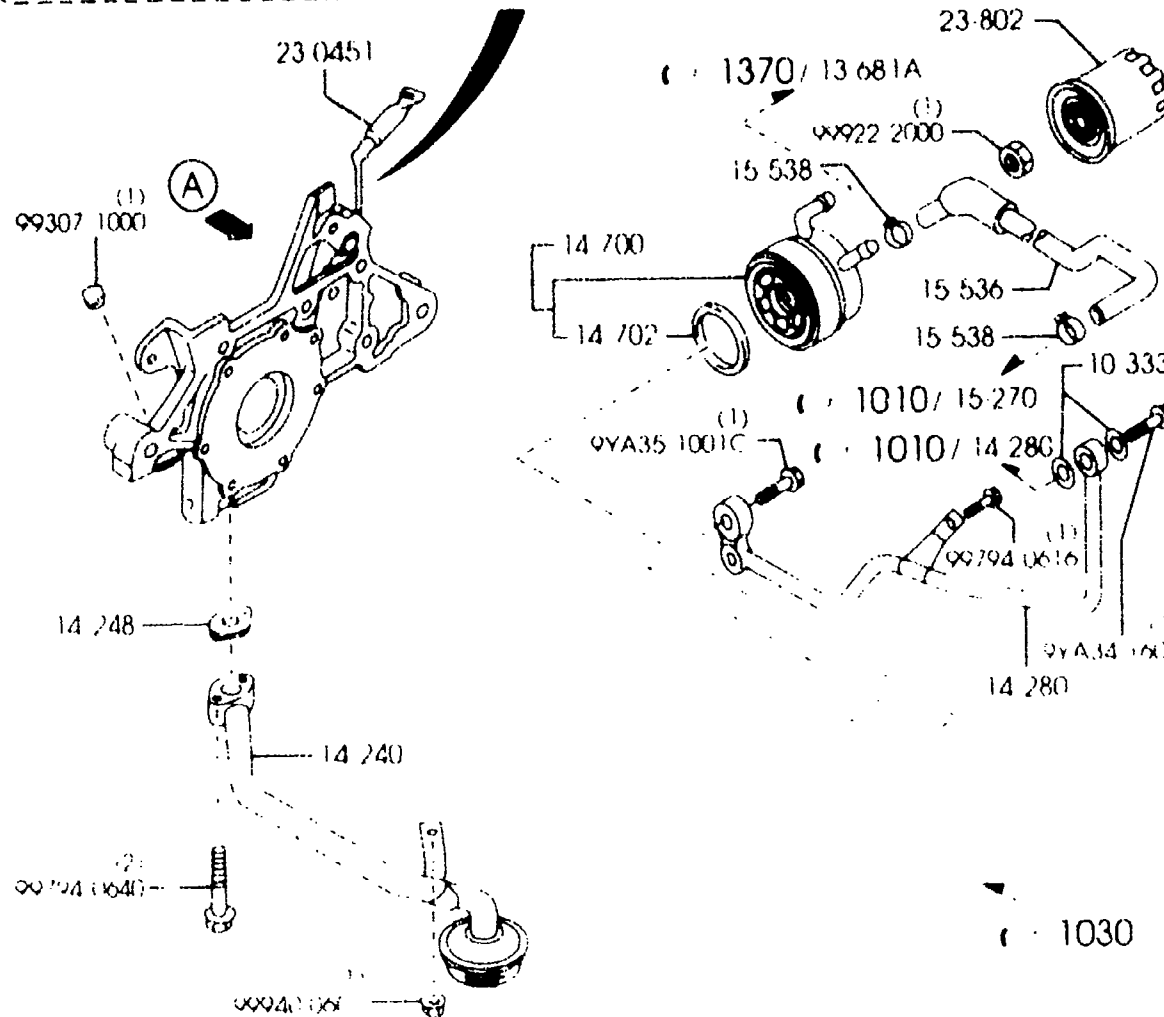
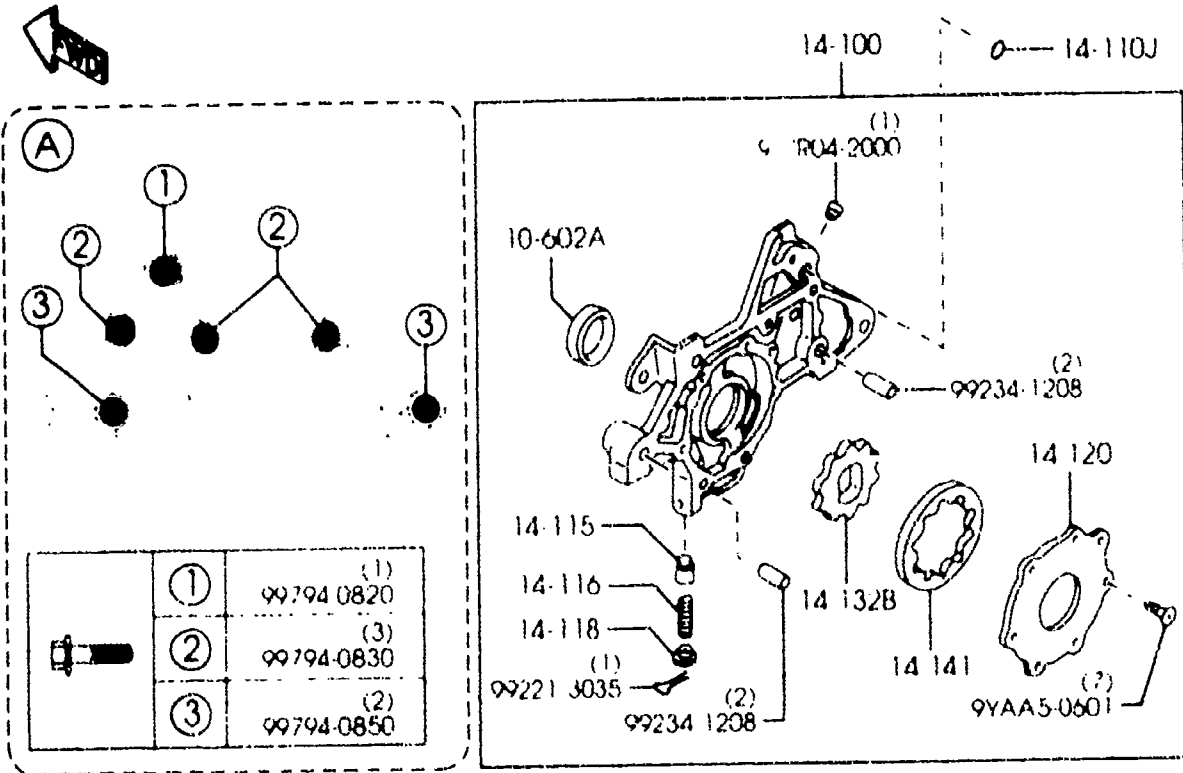
PART NO.	QTY	MODEL/RESTRICTION	MODEL/RESTRICTION	MODIFI./RESTRICTION	FROM-TO
20-300 BP4W-20-300A	1	VALVE, E.G.R.	VALVE DE RECYC. GAZ D'ECH.		-0A01
20-305A JE27-20-305A	1	GASKET, E.G.R. VALVE	JOINT,		0A01-
20-306A JE06-20-306	1	GASKET	JOINT		
20-309 8574-20-309	1	VALVE, VACUUM DELAY	SOUPAPE DE RETARD A DEPRES.		
20-310 BP6F-20-310A	1	PIPE, E.G.R.	TUYAU DE RECYCLAGE GAZ D'ECH.		
20-313A FS01-20-313A	1	CLIP E.G.R. PIPE	COLLIER, TUYAU E.G.R.		
20-341C BP6D-20-340	1	TUBE, VACUUM	TUBE VIDE		
20-342B BP6H-20-340A	1	TUBE, VACUUM	TUBE, VIDE		
20-361A BP4W-20-361B	1	TUBE, VACUUM	TUBE, VIDE		
20-371B BP4W-20-371B	1	TUBE, VACUUM	TUYAU DEPRESSION		
20-440 BP6F-20-440A	1	TUBE, VACUUM	RACCORD, CAPSULE A DEPRESSION		
20-467 JF03-20-467	1	CLIP, HOSE	COLLIER, TUYAU FLEXIBLE		
20-810B JE15-20-810	1	CLIP	COLLIER		

0A01 NB35HW-204573



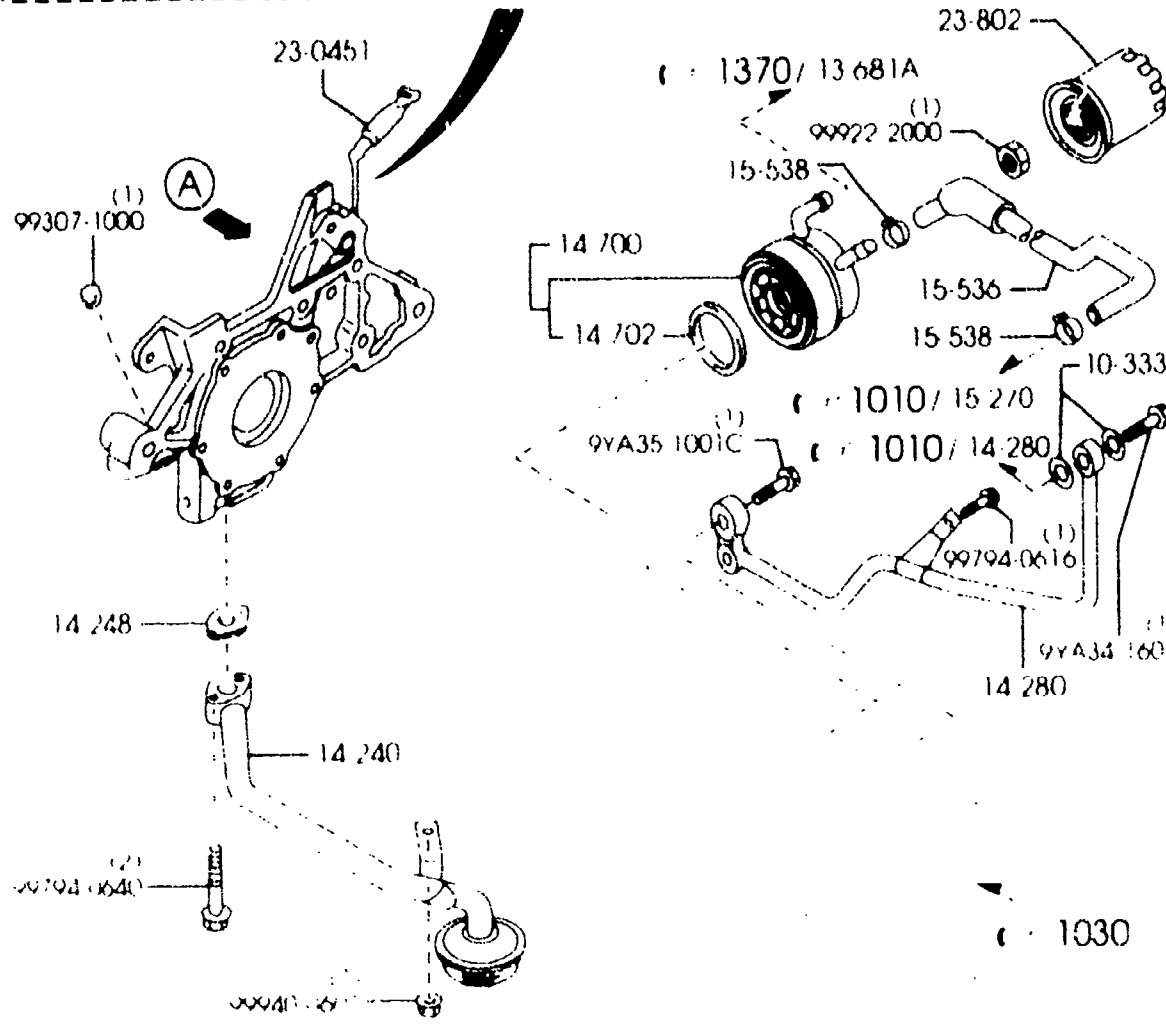
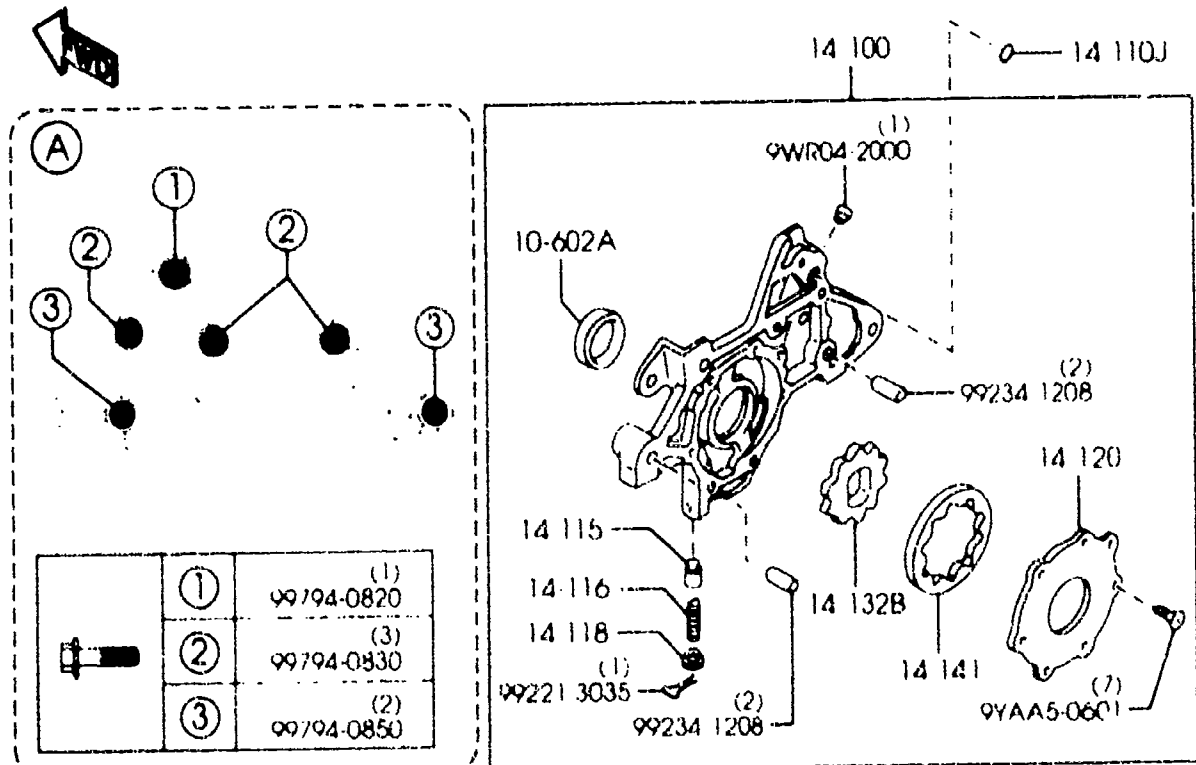
PART NO.	QTY	MODEL/RESTRICTION	MODEL/RESTRICTION	MODEL/RESTRICTION	FROM-TO
CONT'D KLL5-20-010	1	(ILLUST. NO.2)			
27-816		HOSE, VACUUM	TUBE, VIDE		
M0C7-27-816	1				
93-5104		HOSE	FLEXIBLE ESSENCE		
99351-04999	1	L=1M CUT IT TO USE	L=1M CUT IT TO USE		

1400A OIL PUMP & FILTER



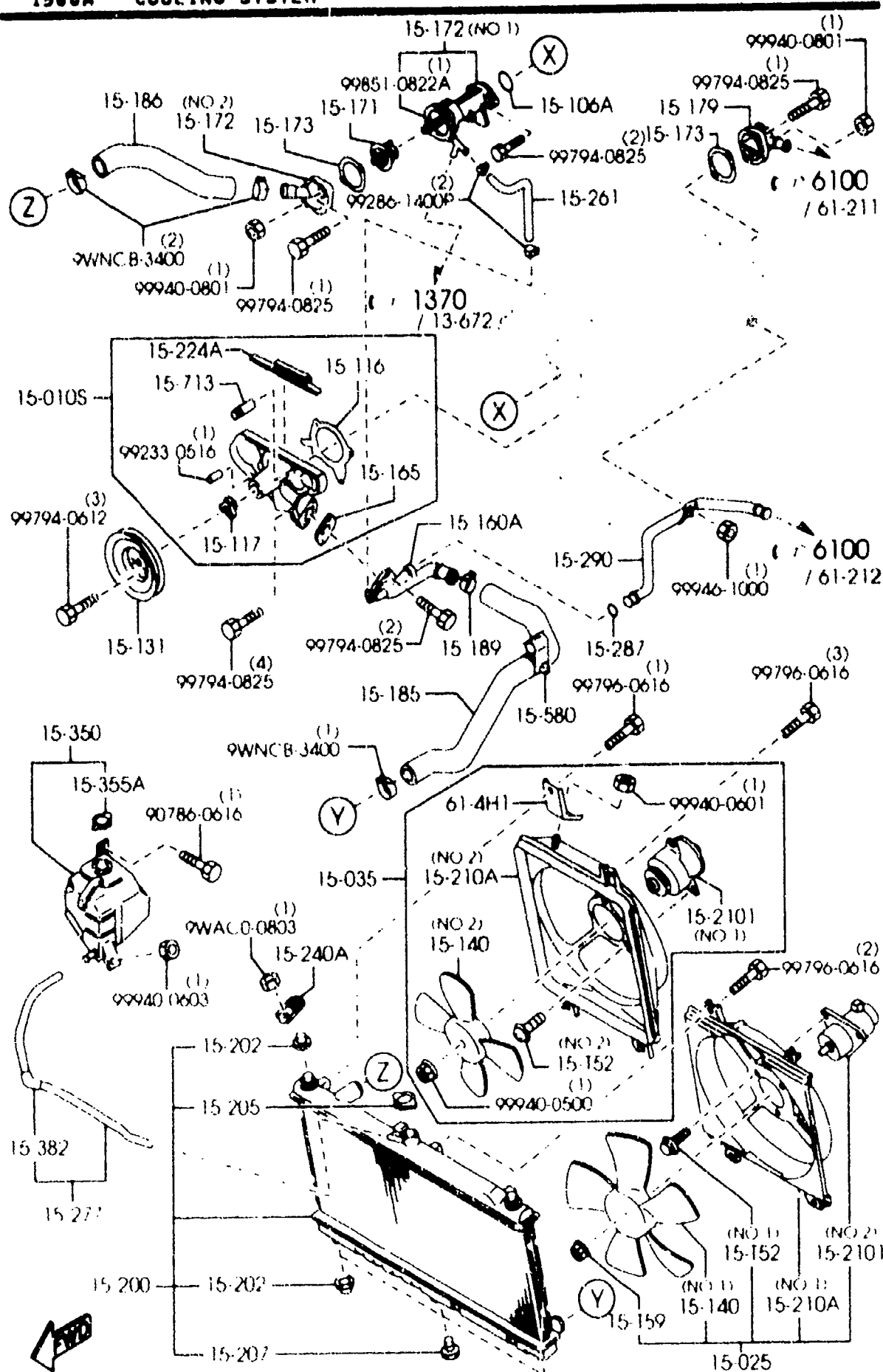
PART NO	QTY	MODEL/RESTRICTION	MODEL/RESTRICTION	MODEL/RESTRICTION	FROM-TO
10-333		GASKET	JOINT		
ZL09-10-333	2				
10-602A		SEAL, OIL	ARRET D'HUILE		
B3C7-10-602A	1	NON ASBESTOS	NON ASBESTOS		
14-100		PUMP, OIL	POMPE A HUILE		
BP6D-14-100	1	IDENTIFY MARK (BP4W)	IDENTIFY MARK (BP4W)		
14-110J		RING, 'O'	JOINT 'O'		
FE1H-14-122A	1				
14-115		PLUNGER, CONTROL	PLOMBEUR DE SURETE		
0221-14-115	1				
14-116		SPRING, PRESSURE	RESSORT, PRESSION		
FESA-14-116	1				
14-118		SHEET, SPRING	SIEGE DE RESSORT		
0222-14-118	1				
14-120		COVER, OIL PUMP	COUVERCLE POMPE A HUILE		
BP6D-14-121	1				
14-132B		GEAR, INNER	PIGNON INT.		
BP6D-14-132	1				
14-141		GEAR, OUTER	PIGNON EXT.		
14-141	1				
14-240		STRAINER, OIL	TAMIS D'HUILE		
BPE8-14-240	1				
14-248		GASKET, OIL STRAINER	JOINT		
B6BF-14-248	1				
14-200		PIPE, OIL	CONDUIT, HUILE		
BP6D-14-280B	1				

1400A OIL PUMP & FILTER



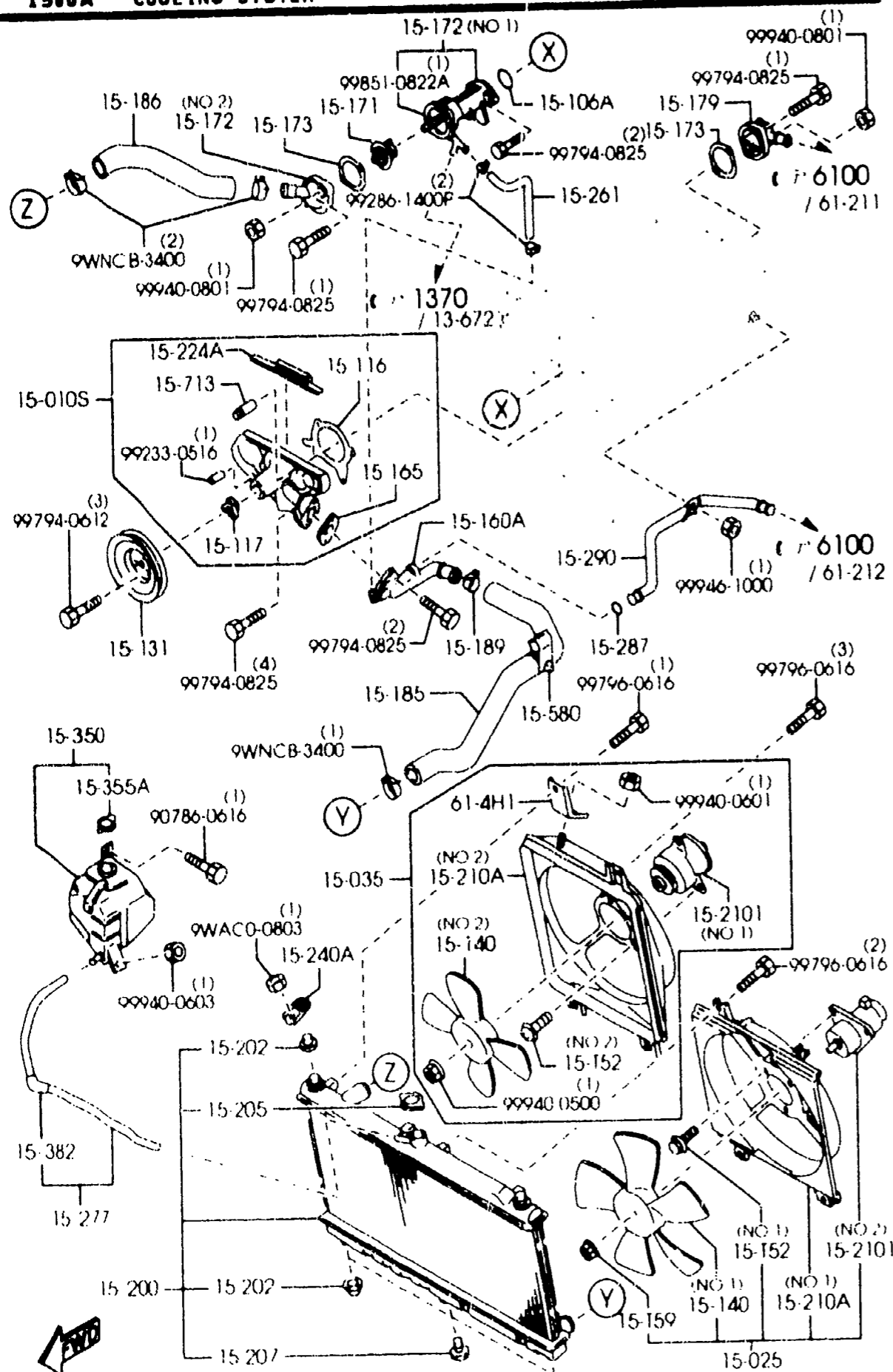
PART NO.	QTY	MODEL/RESTRICTION	MODEL/RESTRICTION	MODEL/RESTRICTION	FROM-TO
14-700		COOLER, OIL	RADIATEUR D'HUILE		
BPE8-14-700	1				
14-702		GASKET	JOINT		
KL01-14-702A	1				
15-536		HOSE, WATER-OIL COOLER IN.	TUY. ,EAU-IN. REFR. HUILE		
BP4W-15-536A	1				
15-538		CLAMP, WATER HOSE	COLLIER, FLEXIBLE EAU		
B6BF-15-538	2				
23-0451		TUBE, SILICON	TUBE DE SILICONE		
B527-77-739	1				
23-802		CARTRIDGE, OIL FILTER	ELEMENT, FILTRE A HUILE		
B6Y1-14-302A	1	(MAZDA MARK T.ROKI) (SUPPLIER IN SELECTION)	(MAZDA MARK T.ROKI)		
B6Y2-14-302	1	(MAZDA MARK-TENNEX) (SUPPLIER IN SELECTION)	(MAZDA MARK-TENNEX)		

1500A COOLING SYSTEM



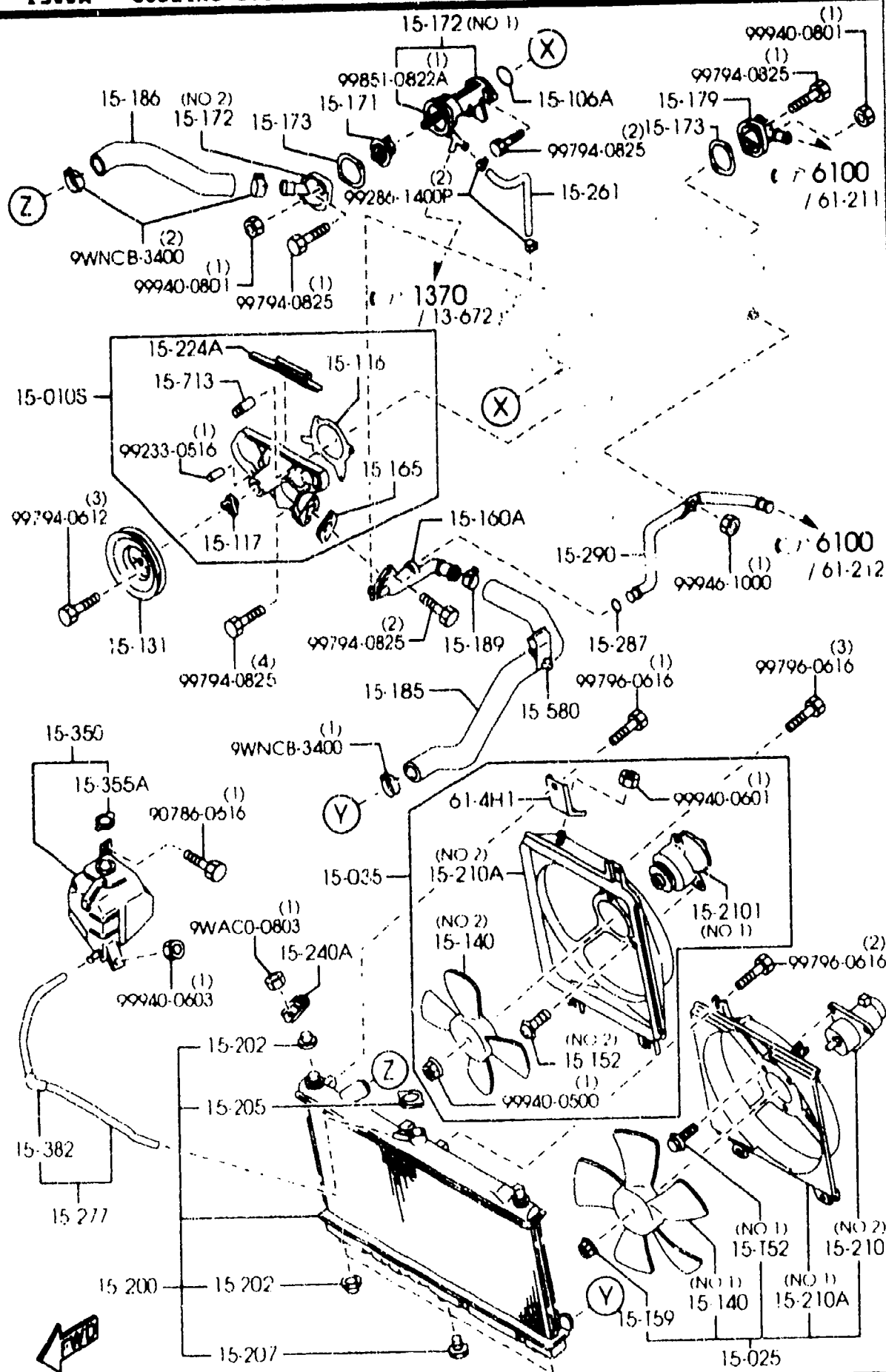
PART NO.	QTY	MODEL/RESTRICTION	MODEL/RESTRICTION	MODEL/RESTRICTION	FROM-TO
15-T52		SCREW, MOTOR-ELECTRIC FAN	SCREW, ELECT. VENT. MOTEUR		
B6SB-15-T52	3	(ILLUST. NO. 1)			
FE6B-15-T52	3	(ILLUST. NO. 2) (W/AIR CON.)			
15-T59		NUT, COOLING FAN	ECROU, VENT. DE REFROID		
B595-15-T59	1				
15-0105		PUMP SET, WATER	JEU POMPE, EAU		
BABB-15-010A	1				
15-025		FAN, ELECTRIC	VENTILATEUR ELECTRIQUE		
BP4W-15-025	1				
15-035		FAN, ADDITIONAL	VENTILATEUR ADDITIONNEL		
B6MC-15-035	1	(W/AIR CON.)			
15-106A		RING, 'O'-WATER PUMP	JOINT TORIQUE-POMPE EAU		
B61P-15-106	1				
15-116		GASKET, WATER PUMP	JOINT, POMPE A EAU		
B6BF-15-116	1				
15-117		BOSS, W. PUMP PULLEY	FLASQUE POMPE A EAU		
E301-15-117	1				
15-131		PULLEY, WATER PUMP	POULIE		
B3C7-15-131	1				
15-140		FAN, COOLING	VENTILATEUR, REFROIDISSEMENT		
BP4W-15-140	1	(ILLUST. NO. 1)			
B6MC-15-140	1	(ILLUST. NO. 2) (W/AIR CON.)			
15-160A		INLET, WATER PUMP	ENTREE, POMPE A EAU		
BP6D-15-160	1				
15-165		GASKET, W. PUMP INLET	JOINT, NON ASBESTOS		
B621-15-165	1				

1500A COOLING SYSTEM



PART NO.	QTY	MODEL/RESTRICTION	MODEL/RESTRICTION	MODEL/RESTRICTION	PROL-TO
15-171	1	THERMOSTAT	THERMOSTAT		-1A05
BP6F-15-171	1				1A05-
A (BP6F-15-171A)	1				
BP6F-15-171A	1				
15-172	1	COVER, THERMOSTAT	COUVERCLE THERMOSTAT		
BP6D-15-170A	1	(ILLUST. NO.1)			
BPE8-15-172	1	(ILLUST. NO.2)			
15-173	2	GASKET, THERMOSTAT COVER NON ASBESTOS	JOINT NON ASBESTOS		
B621-15-173	2				
15-179	1	OUTLET, WATER PUMP	SORTIE, EAU		
BP4W-15-179	1				
15-185	1	HOSE, WATER	DURITE D'EAU		
BP4W-15-185B	1				
15-186	1	HOSE, WATER	DURITE D'EAU		
BP4W-15-186B	1				
15-189	1	CLAMP, HOSE	COLLIER DE SERRAGE		
B366-15-182	1				
15-200	1	RADIATOR	RADIATEUR		
BP4W-15-200A	1	(MT)	(B.V. MANU)		
BP6H-15-200	1	(AT)	(B.V. AUTOM)		
15-202	4	RUBBER, MOUNT	CAOUTCHOUC, TASSEAU		
JE48-15-202	4				
15-205	1	CAP, RADIATOR	BOUCHON DE RADIATEUR		
KL01-15-205	1				
15-207	1	COCK, DRAIN	ROBINET DE PURGE		
NF01-15-203	1	CALSONIC	CALSONIC		
15-210A	1	COWLING, RADIATOR	TOLE DE RADIATEUR		
BP4W-15-210	1	(ILLUST. NO.1)			
1A05 MB35MM-223414					

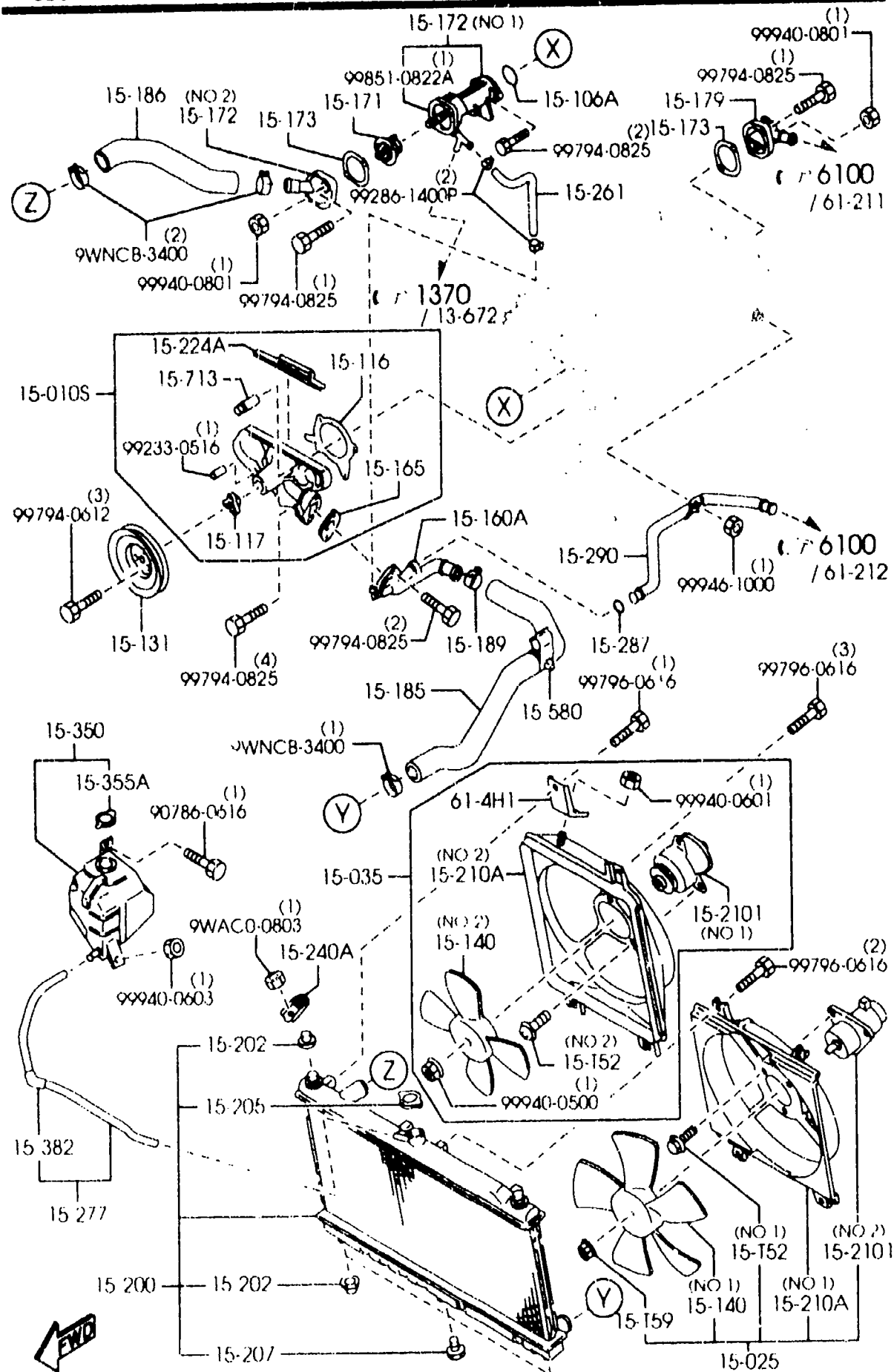
1500A COOLING SYSTEM



1500A -3 COOLING SYSTEM

PART NO.	QTY	MODEL/RESTRICTION	MODEL/RESTRICTION	MODEL/RESTRICTION	FROM-TO
CONT'D B6MC-15-210	1	(ILLUST. NO.2) (W/AIR COM.)			
15-2101		FAN DRIVE	MECANISME DE VENTILATEUR		
B6MC-15-150	1	(ILLUST. NO.1) (W/AIR COM.)			
Z5A1-15-150	1	CALSONIC (ILLUST. NO.2)	CALSONIC		
15-224A		RUBBER, SEAL	JOINT CAOUTCHOUC		
B660-10-543B	1				
15-240A		BRACKET, RADIATOR UP.	ATTACHE, RADIATEUR		
BP4W-15-231	2				
15-261		HOSE, BYPASS	TUYAU EN DERIVATION		
BP6D-15-261	1				
15-277		HOSE, WATER SUB TANK	TUYAU, RESERVOIR AUX. D'EAU		
BP4W-15-380	1				
15-287		RING, 'O'-WATER BYPASS	JOINT TORIQUE		
E301-15-287	1				
15-290		PIPE, BYPASS	TUYAU DE DERIVATION		
BP4W-15-290A	1				
15-350		TANK, SUB-RADIATOR	VASE D'EXPANSION		
BP4W-15-350B	1				
15-355A		CAP, SUB TANK	BOUCHON RESERVOIR AUXIL.		
SLA1-15-355	1				
15-382		PROTECTOR, HOSE-SUB TANK	PROTECTEUR, TUBE-S. RESERU		
BP4W-15-382	1				
15-580		CLIP, WATER HOSE	COLLIER, TUYAU EAU		
B6MC-15-581B	1				
15-713		SET PIN, SPRING	AXE DE FIXATION RESSORT		
F801-15-713	1				

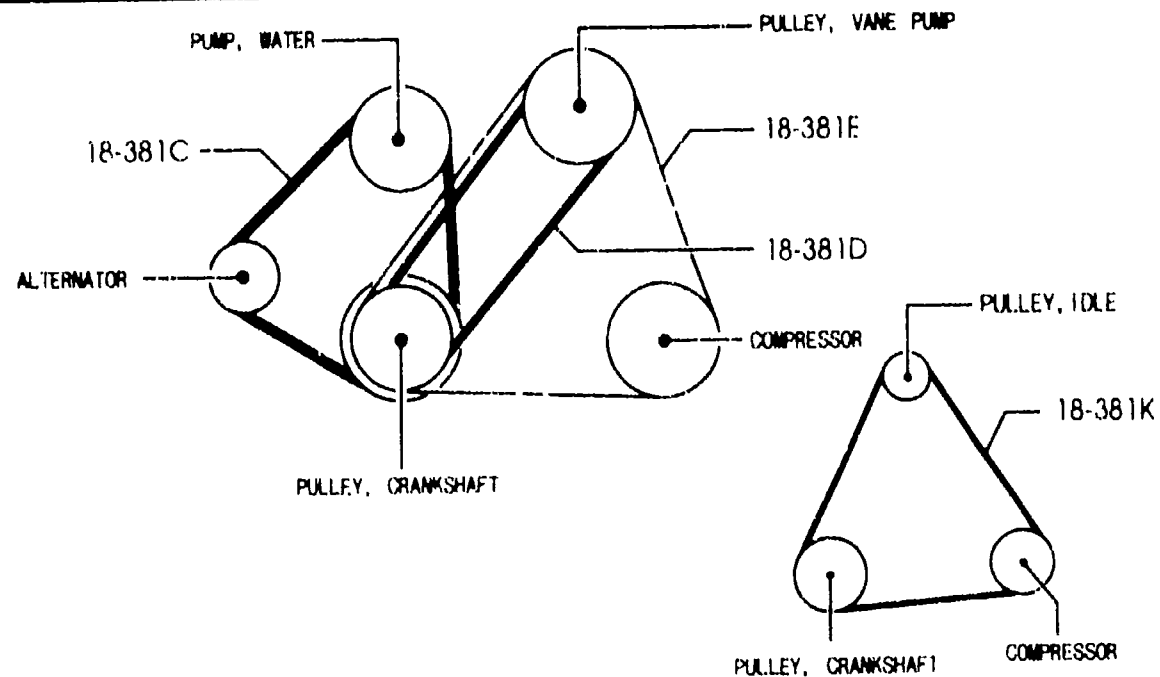
1500A COOLING SYSTEM



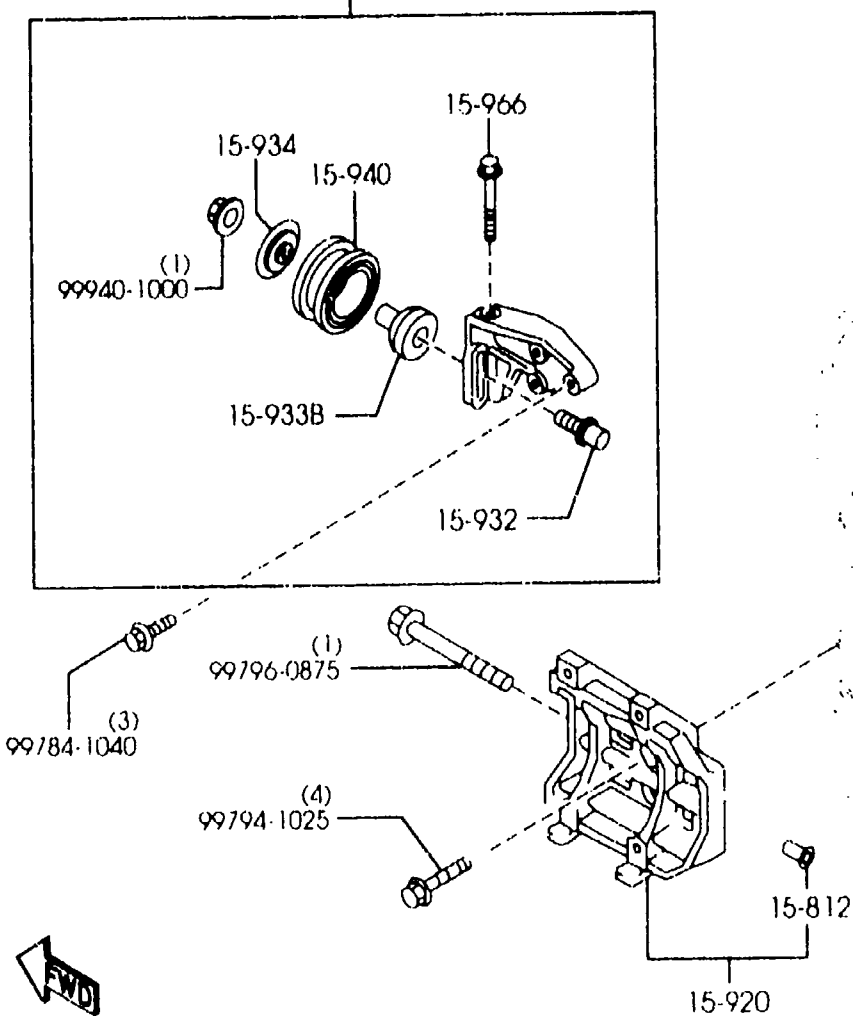
PART NO.	QTY	MODEL/RESTRICTION	MODEL/RESTRICTION	MODEL/RESTRICTION	FROM-TO
61-4H1 N001-61-4H1	1	BRACKET, HOSE (W/AIR CON.)	SUPPORT, TUYAU		

1-J 5

1580A BRACKET, PULLEY & BELT

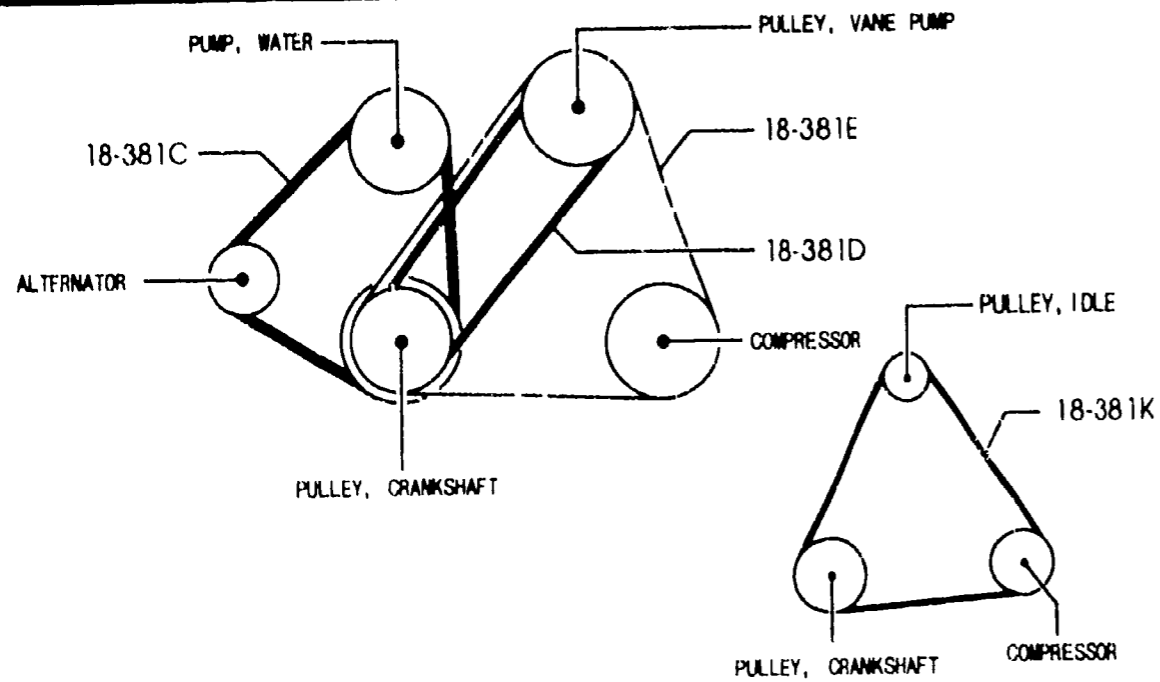


(W/AIR-CON., W/O P.S.) (MT)
15-970

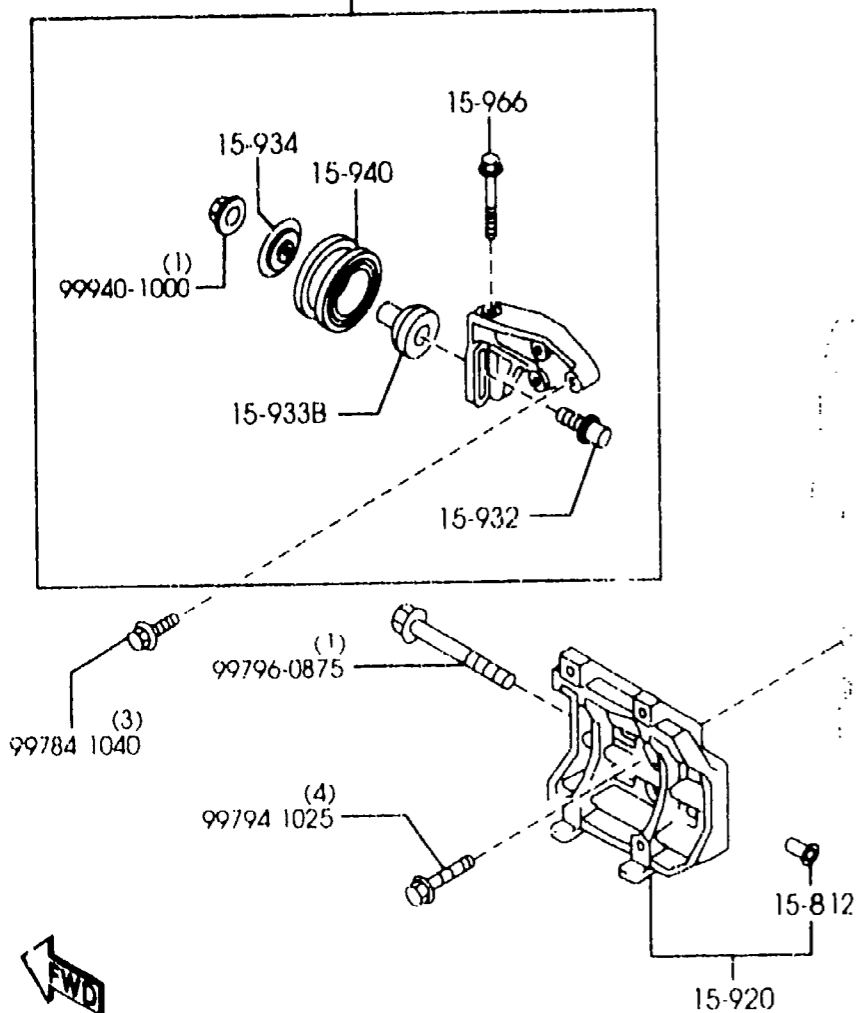


PART NO.	QTY	MODEL/RESTRICTION	MODEL/RESTRICTION	MODEL/RESTRICTION	FROM-TO
15-812	1	BUSH, BRACKET	BUSELURE SUPPORT		
B611-15-812	1	(W/AIR CON.)			
15-920	1	BRACKET, COMPRESSOR	ATTACHE, COMPRESSEUR		-1810
BP6F-15-810 AN(BP6F-15-810A)	1	(W/AIR CON.)			1810-
BP6F-15-810A	1	(W/AIR CON.)			
15-932	1	SHAFT, PULLEY	ARBRE, POULIE		1301-
B611-15-932	1	(W/AIR CON.+W/O POWER STEERING) (MT)	(B.V.MANU)		
15-933B	1	SPACER			1301-
R230-15-933	1	(W/AIR CON.+W/O POWER STEERING) (MT)	(B.V.MANU)		
15-934	1	COVER, DUST	COUVERCLE PARE-POUSSIERE		1301-
R230-15-934	1	(W/AIR CON.+W/O POWER STEERING) (MT)	(B.V.MANU)		
15-940	1	PULLEY, IDLE	POULIE, FIXE		1301-
B63H-15-940A	1	(W/AIR CON.+W/O POWER STEERING) (MT)	(B.V.MANU)		
15-966	1	BOLT, ADJUST	BOULON, REGLAGE		1301-
B611-15-966	1	(W/AIR CON.+W/O POWER STEERING) (MT)	(B.V.MANU)		
15-970	1	PULLEY, IDLE	POULIE, FIXE		1301-
B63H-15-930C	1	(W/AIR CON.+W/O POWER STEERING) (MT)	(B.V.MANU)		
18-381C	1	BELT 'V', W/PUMP&ALTERNATOR 4PK L-885 GATES (SUPPLIER IN SELECTION)	COURR. TRAP., P.EAU & ALT. 4PK L-885 GATES		
BP4W-18-381	1				
B63F-18-381	1	4PK L-885 BANDO (SUPPLIER IN SELECTION)	4PK L-885 BANDO		
18-381D	1	BELT 'V', POWER STEERING	COURR. TRAPE., S. DIRECT.		
1301 NB35**-213465 1810 NB35**-221172					

1580A BRACKET, PULLEY & BELT



(W/AIR-CON., W/O P.S.) (MT)
15-970

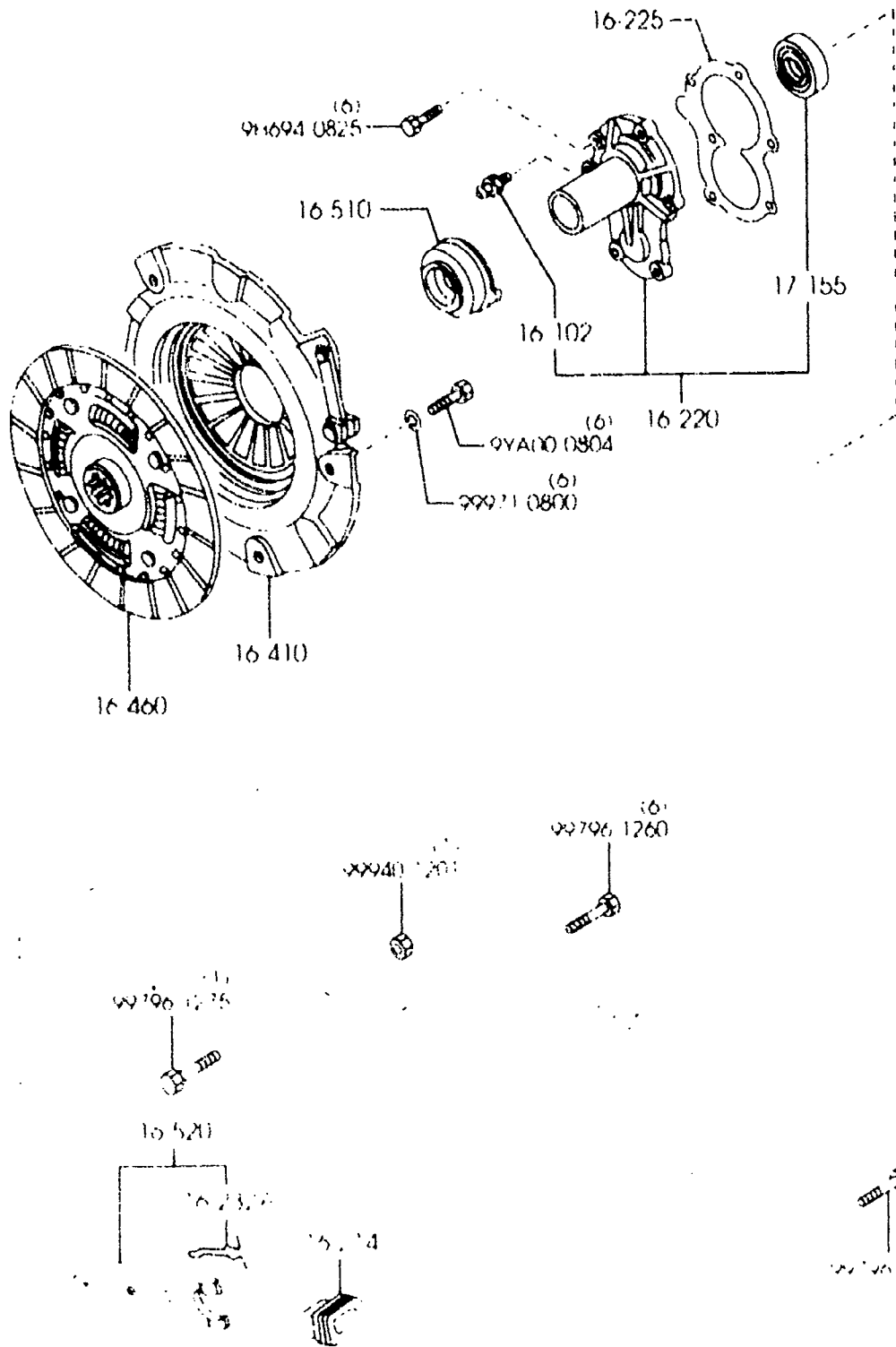


PART NO.	QTY	MODEL/RESTRICTION	MODEL/RESTRICTION	MODEL/RESTRICTION	FROM-TO
CONT'D BP4W-15-907A	1	4PK-860 GATES (SUPPLIER IN SELECTION) (W/O AIR CON.+W/O POWER STEERING)	4PK-860 GATES		
B61P-15-907A A (B61P-15-907B)	1	4PK-855 MITSUBOSHI (SUPPLIER IN SELECTION) (W/O AIR CON.+W/POWER STEERING)	4PK-855 MITSUBOSHI		-1712
B61P-15-907B	1	(SUPPLIER IN SELECTION) (W/O AIR CON.+W/POWER STEERING)			1712-
18-381E BPF3-15-909A	1	BELT 'V', P/STG. & AIR CON. (A) 4PK L=950MM BAND (SUPPLIER IN SELECTION) (W/AIR CON.+W/POWER STEERING)	COURR. TRAPE., S. DIR/CLIMA (A) 4PK L=950MM BAND		
BP5A-15-909A	1	4PK-950 GATES (SUPPLIER IN SELECTION) (W/AIR CON.+W/POWER STEERING)	4PK-950 GATES		
18-381K BP4W-15-907A	1	BELT 'V', AIR CON. 4PK-860 GATES (SUPPLIER IN SELECTION) (W/AIR CON.+W/O POWER STEERING) (MT)	COURR. TRAPE., CLIMATEUR 4PK-860 GATES		1301-
B3C7-15-907C	1	4PK L=848MM BANDO (SUPPLIER IN SELECTION) (W/AIR CON.+W/O POWER STEERING) (MT)	4PK L=848MM BANDO (B.V.MANU)		1301-

1301 NB35**-213465
1712 NB35**-226011

1600A CLUTCH DISC & COVER
(5-SPEED)

1600A -1 * CLUTCH DISC & COVER
(5-SPEED)

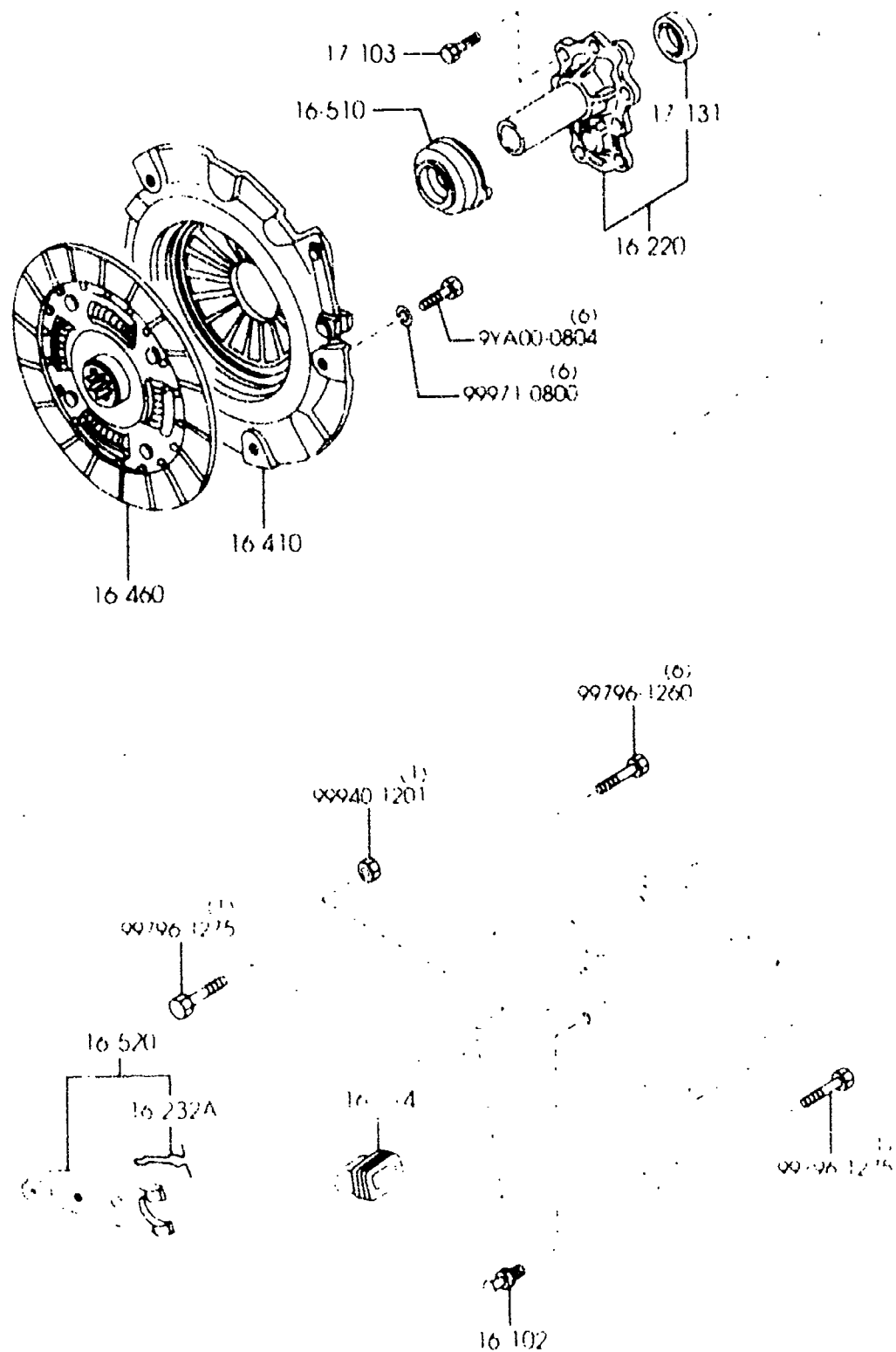


PART NO.	QTY	MODEL/RESTRICTION	MODEL/RESTRICTION	MODEL/RESTRICTION	FROM-TO
16-102	1	PIN, PIVOT-CLUTCH REL FORK	PIVOT D'APPUI		
FE69-16-102A					
16-214	1	COVER, DUST-CLUTCH FO RK	CACHE, POUSSIERE		
FE51-16-214A					
16-220	1	COVER, FRONT CLUTCH	CACHE AV.		
B626-16-220B					
16-225	1	GASKET, FRONT COVER	JOINT, CARTER AV.		
FE50-16-225A					
16-232A	1	SUPPORTER, FORK	SUPPORT, FOURCHETTE		
1416-16-232A					
16-410	1	COVER, CLUTCH	MECANISME D'EMBAYAG E		
BP11-16-410					
16-460	1	DISC, CLUTCH	DISQUE D'EMBAYAGE		
BP07-16-460C					
16-510	1	COLLAR, CLUTCH REL.	BUTEE		
B622-16-510					
16-520	1	FORK, CLUTCH RELEASE	FOURCHETTE DE DEBRAY AGE		
B622-16-520A					
17-155	1	SEAL, OIL	ARRET D'HUILE		
H501-17-103					



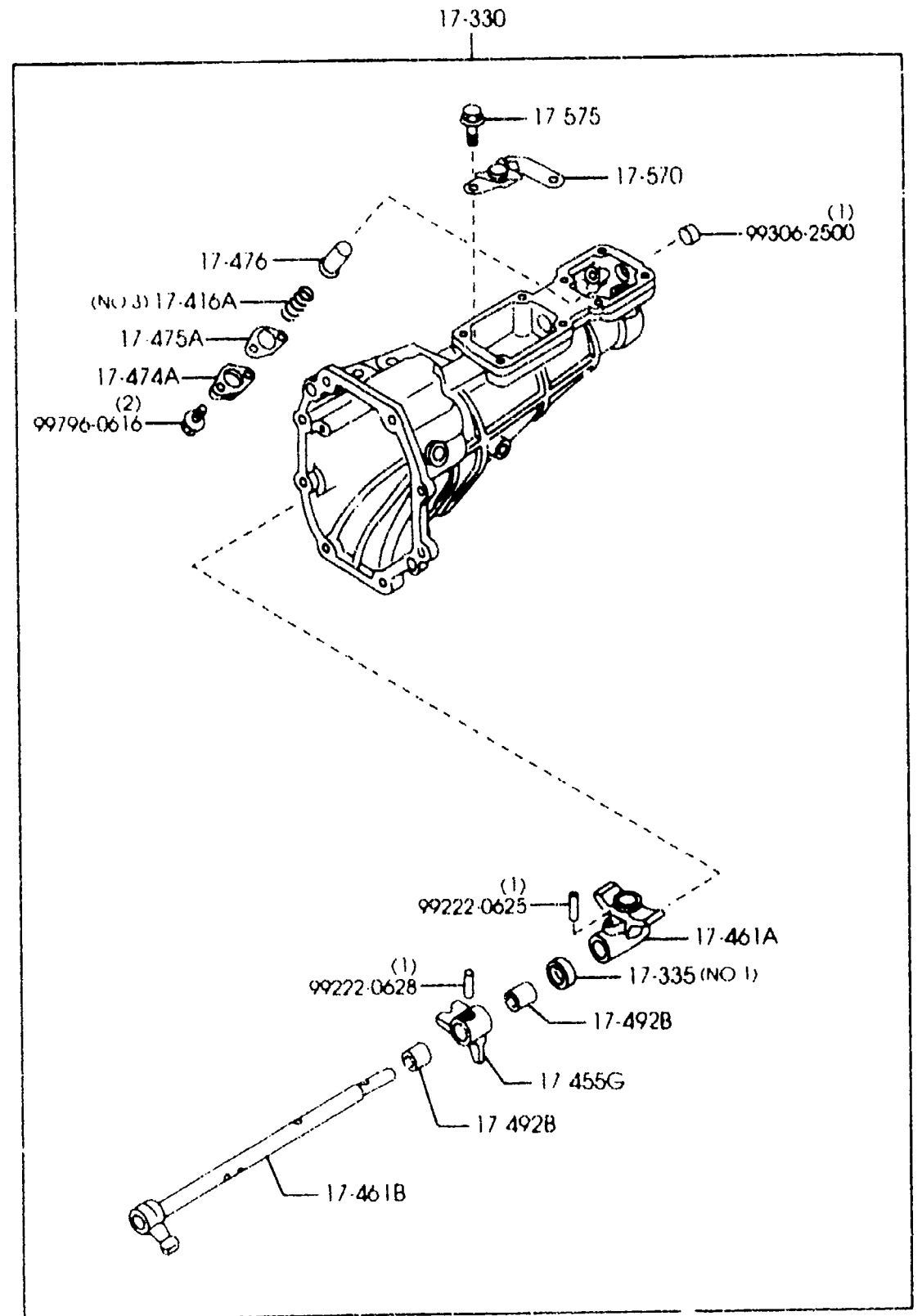
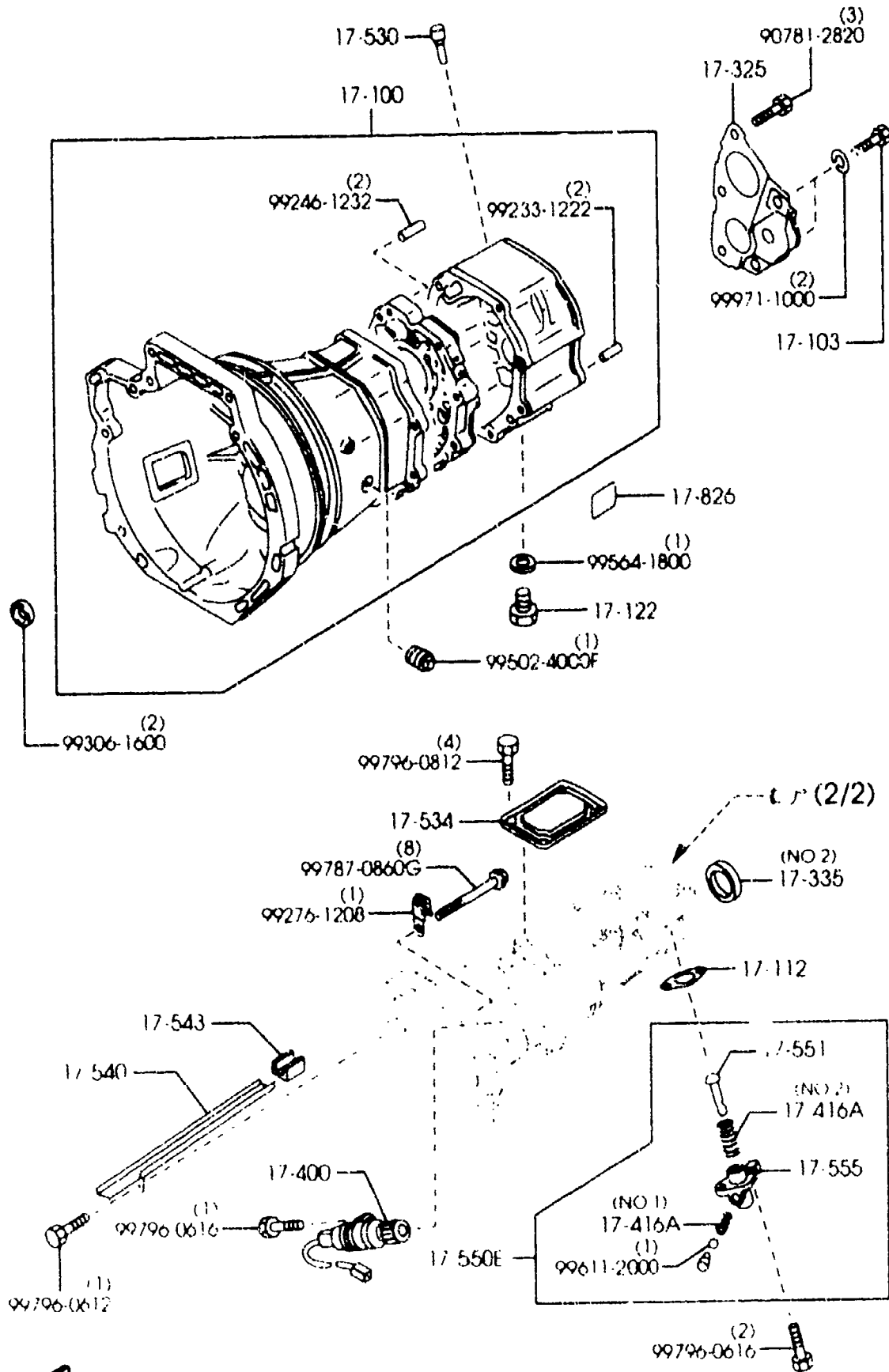
1600AA CLUTCH DISC & COVER
(6-SPEED)

1600AA-1 * CLUTCH DISC & COVER
(6-SPEED)



PART NO.	QTY	MODEL/RESTRICTION	MODEL/RESTRICTION	MODEL/RESTRICTION	FROM-TO
16-102 FE69-16-102A	1	PIN, PIVOT-CLUTCH REL. FORK	PIVOT D'APPUI FORK		
16-214 FE51-16-214A	1	COVER, DUST-CLUTCH FORK	CACHE, POUSSIERE RK		
16-220 Y601-16-220	1	COVER, FRONT CLUTCH	CACHE AV.		
16-232A 1416-16-232A	1	SUPPORTER, FORK	SUPPORT, FOURCHETTE		
16-410 BP11-16-410	1	COVER, CLUTCH	MECANISME D'EMBRAYAGE		
16-460 BP07-16-460C	1	DISC, CLUTCH	DISQUE D'EMBRAYAGE		
16-510 B622-16-510	1	COLLAR, CLUTCH REL.	BUTEE		
16-520 B622-16-520A	1	FORK, CLUTCH RELEASE	FOURCHETTE DE DEBRAYAGE		
17-103 Y601-17-103	1	BOLT	BOULON		
17-131 Y601-17-131	1	SEAL, OIL	JOINT A L'HUILE		





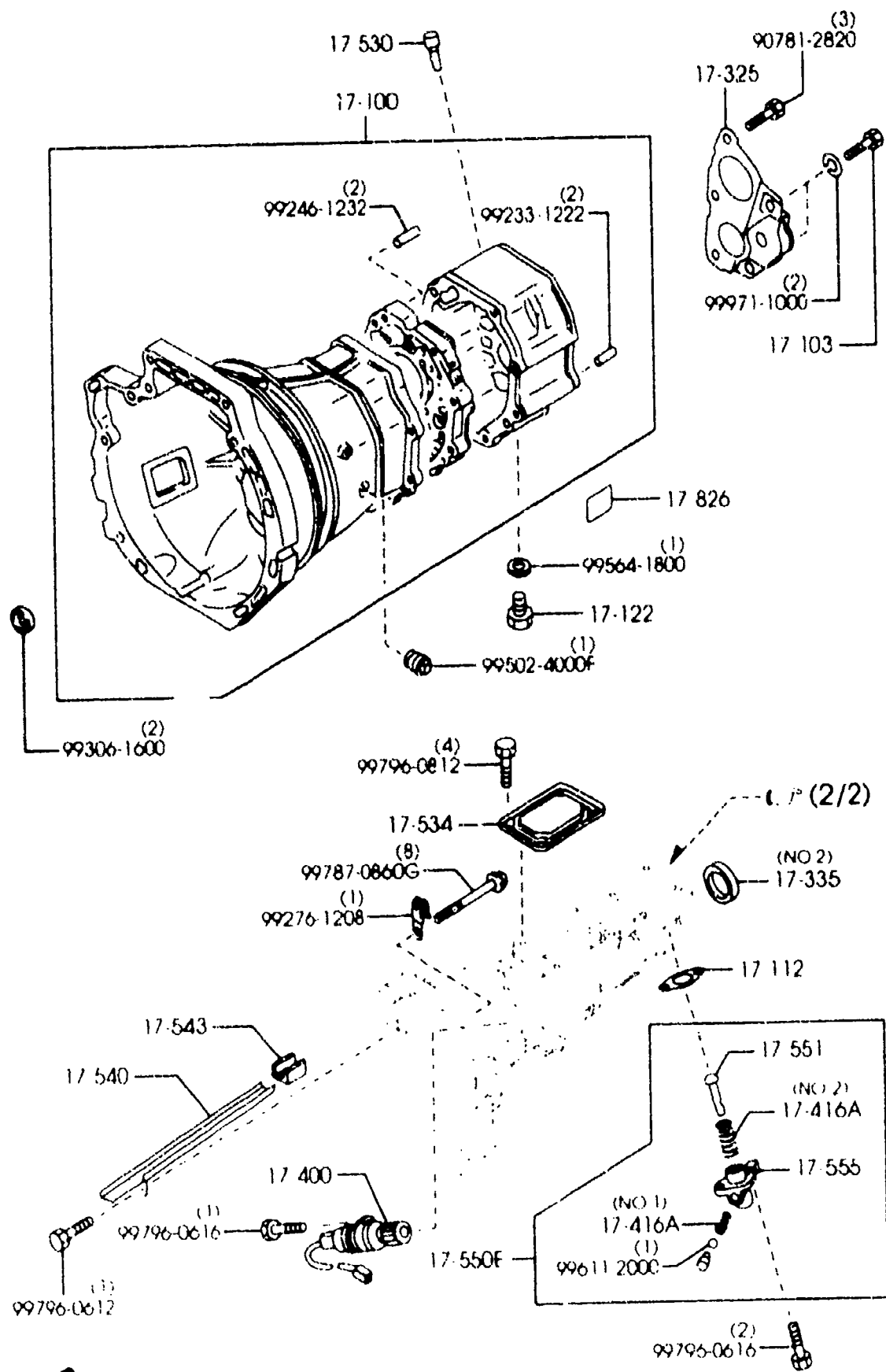
ALMA08

1N04011

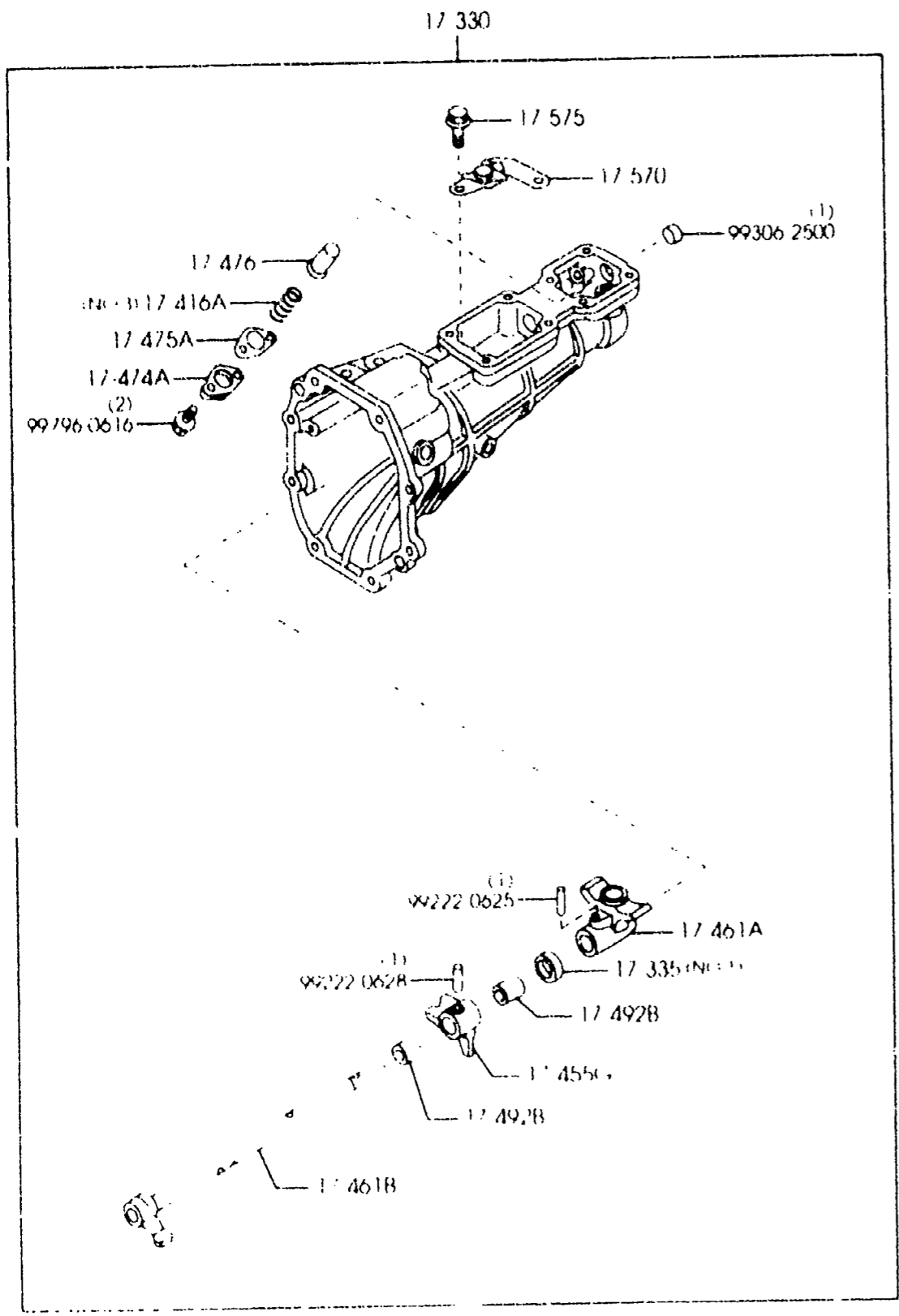


ALMA08

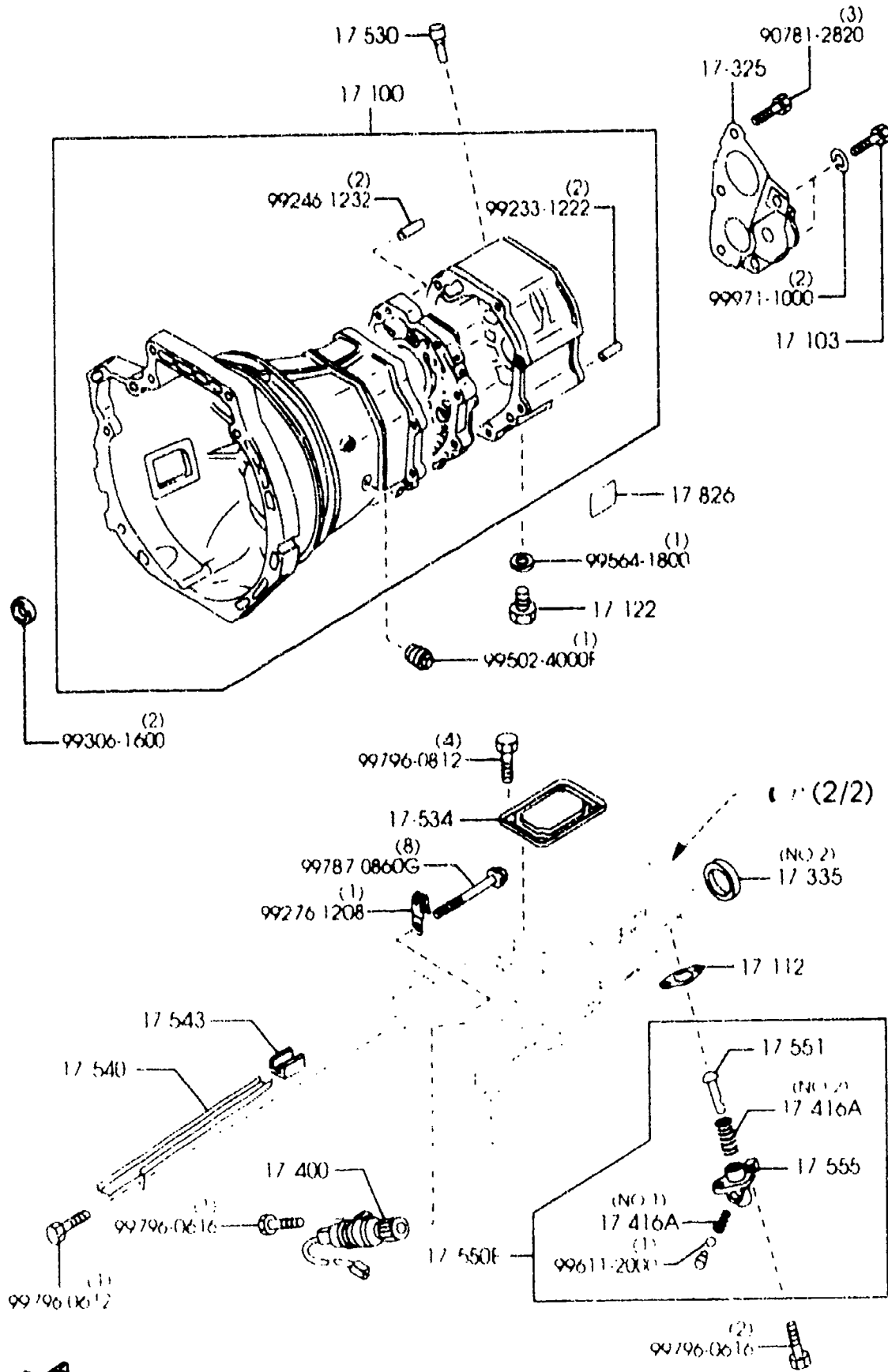
(1N04012)



PART NO.	QTY	MODEL/RESTRICTION	MODEL/RESTRICTION	MODEL/RESTRICTION	FROM-TO
17-100	1	CASE, T/MISSION	BOITIER, TRANSMISSIO		
M526-17-10XC	1				
17-103	2	BOLT	BOULON		
M501-17-103	2				
17-112	1	GASKET	JOINT		
S524-17-112	1				
17-122	1	PLUG, MAGNET	BOUCHON, AIMANT		
0010-17-121	1				
17-325	1	COVER, BEARING	COUVERCLE, ROULEMENT		
M501-17-370A	1				
17-330	1	HOUSING, EXTENSION	RALLONGE DE BOITE		
M526-17-330	1				
17-335	1	SEAL, OIL	ARRET D'HUILE		
05A0-17-335	1	(ILLUST. NO.1)			
M507-17-335A	1	(ILLUST. NO.2)			
17-400	1	GEAR SET, DRIVEN-SPEE	JEU ENGRENAGE, MENE-V		
M526-17-400A	1	(HARD SUSP) (SPORT SUSP)	ITES (SUSP. FERM) (SUSP. SPORTIVE)		
M527-17-400A	1	(NOR. SUSP)	(SUSP. NRML)		
17-416A	1	SPRING	RESSORT		
R504-17-416	1	(ILLUST. NO.1)			
R505-17-416	1	(ILLUST. NO.2)			
R506-17-416	1	(ILLUST. NO.3)			
17-455B	1	SELECTOR	SELECTEUR		
R504-17-455B	1				
M505-17-455	1				-1101
17-461A	1	END, CONTROL LEVER	EXTREMITE,		
R522-17-461A	1				1101-
17-461B	1	ROD, CONTROL	TIGE DE COMMANDE		
1101 M835**-203709					



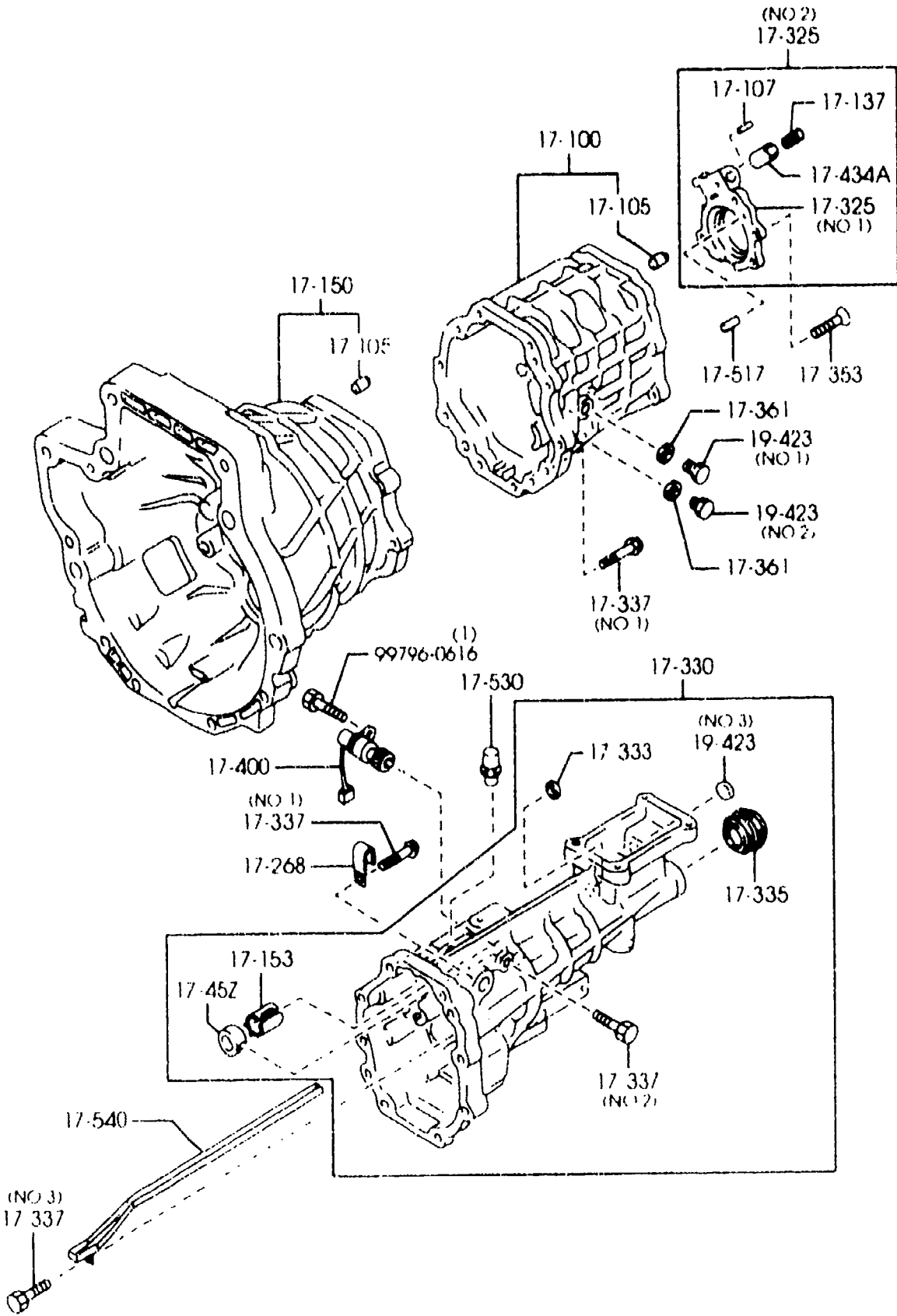
PART NO.	QTY	MODEL/RESTRICTION	MODEL/RESTRICTION	MODEL/RESTRICTION	FROM-TO
CONT'D MS11-17-460	1				
17-474A		CAP, SPRING	CHAPEAU, RESSORT		
M501-17-474	1				
17-475A		GASKET, SPRING CAP	JOINT, CHAPEAU DE RESSORT		
M501-17-475	1				
17-476		SPINDLE, SELECT LOCK	FUSEE,		
R501-17-476	1				
17-492B		BUSH, SHIFT ROD-DIFF. LOCK	COUSSINET, TIGE CHANG V. D		
G5A0-17-492	2				
17-530		BREATHER, AIR-T/MISSI ON	RESPIRATEUR, AIR ON		
O884-17-530	1				
17-534		COVER, BLIND-EXTENSION HOUSING	PLAQUE INSPECTION		
R501-17-523	1				
17-540		PASS, OIL	PASSAGE D'HUILE		
M509-17-540	1				
17-543		RUBBER, SEAL	JOINT CAOUTCHOUC		
M501-17-543A	1	SUMINO INDUSTRY	SUMINO INDUSTRY		
17-550E		SPINDLE, SELECT	ARBRE, SELECTEUR		
R503-17-550	1				
17-551		SPINDLE, SELECT LOCK	PIVOT SELECTEUR		
R502-17-551	1				
17-555		HOLDER, SPINDLE	SUPPORT, PIUOT		
R501-17-555	1				
17-570		GUIDE, CHANGE	GUIDAGE, CHANGEMENT VITESS		
R526-17-570	1				
17-575		BOLT	BOULON		
P501-17-575	2				



PART NO	QTY	MODEL/RESTRICTION	MODEL/RESTRICTION	MODEL/RESTRICTION	FROM-TO
17-826		TAG, TRANSMISSION	ETIQUETTE, TRANSMISSION		
M504-17-999	1				

1700AA MANUAL TRANSMISSION CASE
(6-SPEED)

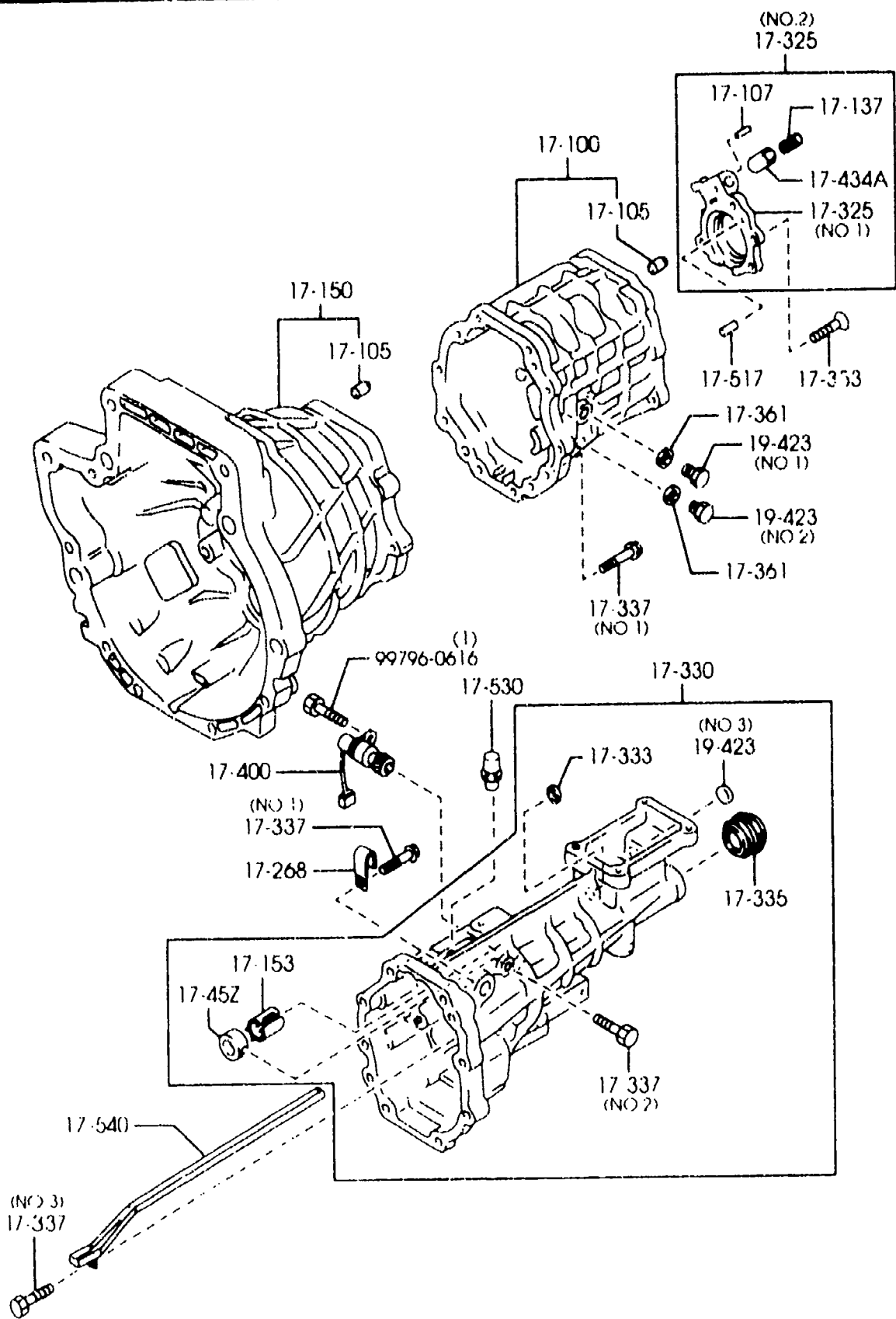
1700AA-1 MANUAL TRANSMISSION CASE
(6-SPEED)



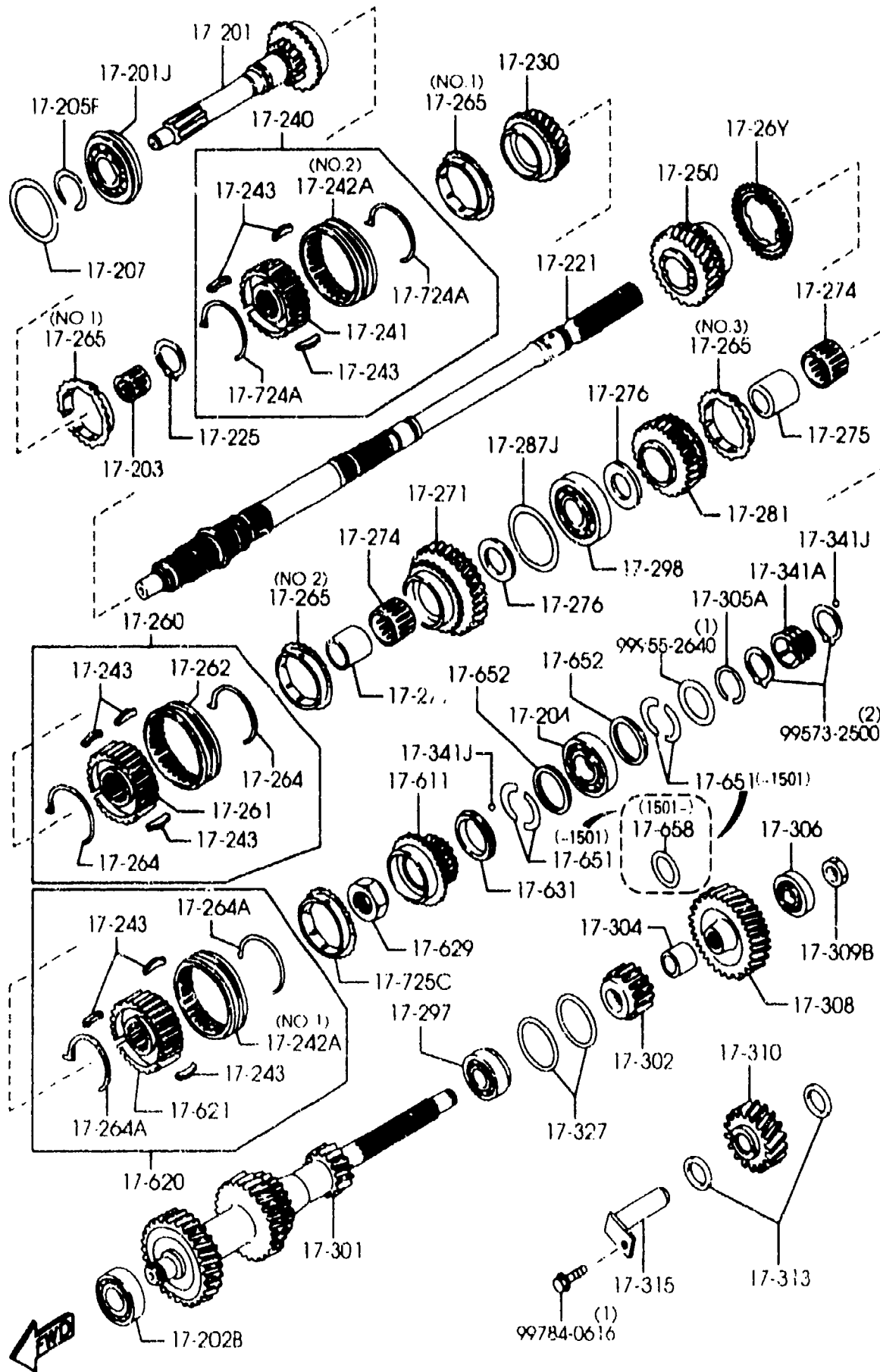
PART NO.	QTY	MODEL/RESTRICTION	MODEL/RESTRICTION	MODEL/RESTRICTION	FROM-TO
17-100	1	CASE, T/MISSION	BOITIER, TRANSMISSIO N		
Y601-17-100	1				
17-105	4	DOWEL, TRANS. & CLUTCH CASE	CALF, TRANS. & BOITE EM BRAY.		
Y601-17-105	4				
17-107	1	PIN, SPRING	AXE DE RESSORT		
Y601-17-107	1				
17-137	1	SPRING	RESSORT		
Y604-17-137	1				
17-150	1	PLATE, CLUTCH	PLAQUE, EMBRAYAGE		
Y601-17-150	1				
17-153	1	PLATE, BAFFLE	DEFLECTEUR		
Y601-17-153	1				
17-268	2	CLIP	ATTACHE		
Y601-17-269	2				
17-325	1	COVER, BEARING	COUVERCLE, ROULEMENT		
Y601-17-325	1	(ILLUST. NO. 1)			
Y601-17-370	1	(ILLUST. NO. 2)			
17-330	1	HOUSING, EXTENSION	RALLONGE DE BOITE		
Y601-17-330	1				
17-333	1	BUSH	CACHE-POUSSIERE		
Y601-17-333	1				
17-335	1	SEAL, OIL	ARRET D'HUILE		
M507-17-335A	1				
17-337	17	BOLT	BOULON		
Y601-17-337	17	(ILLUST. NO. 1)			
Y604-17-337	1	(ILLUST. NO. 2)			
Y605-17-337	1	(ILLUST. NO. 3)			
17-353		SCREW SET	JEU DE VIS		

1700AA MANUAL TRANSMISSION CASE
(6-SPEED)

1700AA-2 MANUAL TRANSMISSION CASE
(6-SPEED)

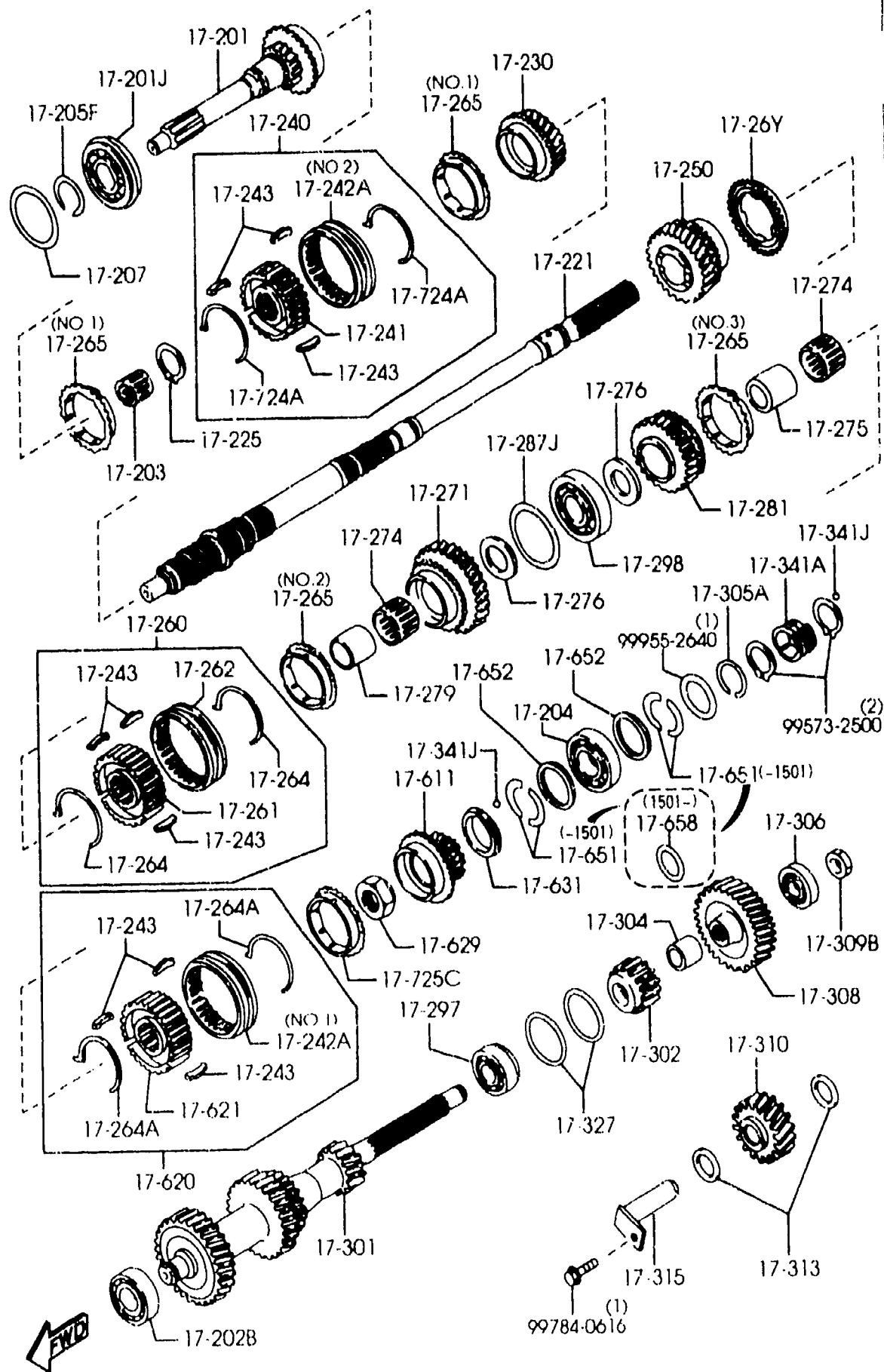


PART NO.	QTY	MODEL/RESTRICTION	MODEL/RESTRICTION	MODEL/RESTRICTION	FROM-TO
CONT'D					
Y601-17-347	4				
17-361		GASKET, REAR COVER	JOINT AR		
Y601-17-361	2				
17-400		GEAR SET, DRIVEN-SPEED	JEU ENGRENAGE, MENE-VITES		
M534-17-400	1				
17-434A		PIN, PUSH	GOUILLE, POUSSOIR		
Y601-17-414	1				
17-45Z		SUPPORT, LEVER	SUPPORT, LEVIER		
Y601-17-45Z	1				
17-517		PIN	CLAVETTE		
Y602-17-517	1				
17-530		BREATHER, AIR-T/MISSI	RESPIRATEUR, AIR ON		
Y601-17-530	1				
17-540		PASS, OIL	PASSAGE D'HUILE		
Y601-17-540	1				
19-423		PLUG	BOUCHON		
Y601-17-495	1	(ILLUST. NO. 1)			
Y602-17-495	1	(ILLUST. NO. 2)			
Y605-17-495	1	(ILLUST. NO. 3)			



PART NO.	QTY	MODEL/RESTRICTION	MODEL/RESTRICTION	MODEL/RESTRICTION	FROM-TO
17-201	1	GEAR, MAIN DRIVE	ARBRE MOTEUR		
M516-17-201A					
17-201J	1	BEARING, BALL-MAIN DRIVE GEAR	ROULEMENT A BILLES		
M502-17-295C					
17-202B	1	BEARING, BALL KOYO	ROULEMENT A BILLES KOYO		
F520-17-171C					
17-203	1	BEARING, NEEDLE	ROULEMENT		
M501-17-210A					
17-204	1	BEARING, BALL-MAIN SHAFT	ROULEMENT A BILLES		
M503-17-204					
17-205F	1	RING, RETAINING	CERCLE D'ARRET		
M501-17-205					
17-207	1	SHIM, ADJUST	CALE DE REGLAGE		
99963-6335	1	T=0.35MM	T=0.35MM		
99963-6340	1	T=0.4MM	T=0.4MM		
99963-6345	1	T=0.45MM	T=0.45MM		
99963-6350	1	T=0.5MM	T=0.5MM		
99963-6355	1	T=0.55MM	T=0.55MM		
99963-6360	1	T=0.6MM	T=0.6MM		
99963-6365	1	T=0.65MM	T=0.65MM		
99963-6370	1	T=0.7MM	T=0.7MM		
99963-6375	1	T=0.75MM	T=0.75MM		
99963-6380	1	T=0.8MM	T=0.8MM		
99963-6385	1	T=0.85MM	T=0.85MM		
99963-6390	1	T=0.9MM	T=0.9MM		

1710A MANUAL TRANSMISSION GEARS (5-SPEED)



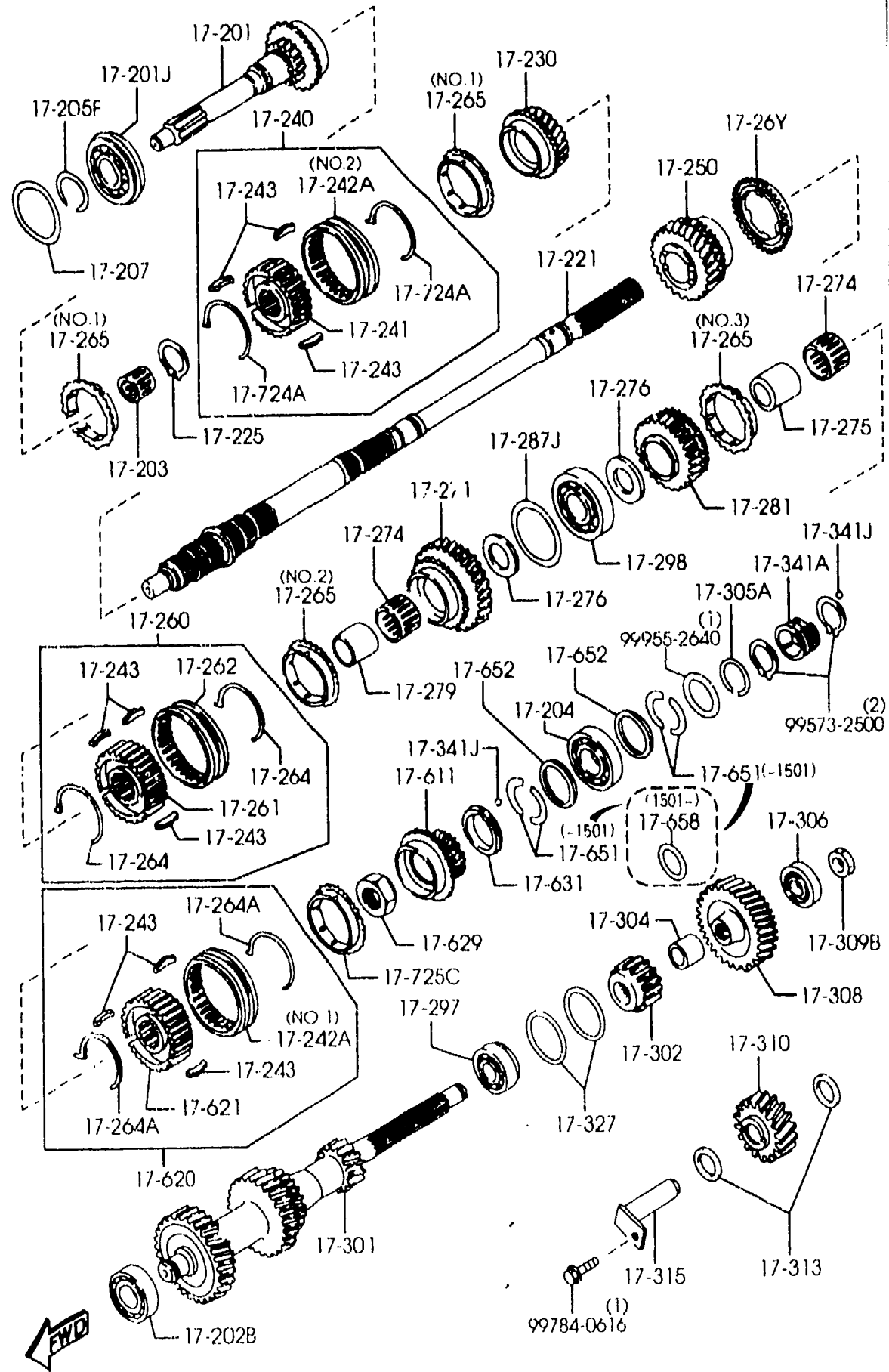
1710A -2 MANUAL TRANSMISSION GEARS (5-SPEED)

PART NO.	QTY	MODEL/RESTRICTION	MODEL/RESTRICTION	MODEL/RESTRICTION	FROM-TO
CONT'D 99963-6395					
	1	T=0.95MM	T=0.95MM		
17-221	1	SHAFT, MAIN	ARBRE RECEPTEUR		-1401
M505-17-221D A (M505-17-221E)	1				1401-
M505-17-221E	1				
17-225	1	RING, SNAP	CALE		
0317-17-225	1				
17-230	1	GEAR, 3RD	PIGNON RECEPTEUR, 3E ME		
M521-17-231	1				
17-240	1	HUB SET, CLUTCH-3RD & 4TH	JEU, MOYEU ET MANCHON		
M518-17-240A	1				
17-241	1	HUB, CLUTCH	PIGNON FIXE		
M501-17-241C	1				
17-242A	1	SLEEVE, CLUTCH HUB	MANCHON, MOYEU D, EMBRAYAGE		
F401-17-242A	1	(ILLUST. NO.1)			
M503-17-242A	1	(ILLUST. NO.2)			
17-243	9	KEY, SYNCHRONIZER	CALE DE SYNCHRONISATION		
F401-17-243C	9				
17-250	1	GEAR, 2ND	PIGNON RECEPTEUR, 2E ME		
M528-17-251	1				
17-26Y	1	RING, SYNCHRONIZER	BAGUE DE SYNCHRONISATION		
R506-17-26Y	1				
17-260	1	HUB SET, CLUTCH-1ST & 2ND	JEU MOYEU, EMBRAY.-1E & 2E		
M520-17-260D	1				
17-261	1	HUB, CLUTCH	PIGNON FIXE		
M511-17-261	1				
17-262	1	SLEEVE, CLUTCH HUB	SYNCHROMECH		
M507-17-262C	1				

1401 NB35**x-216419

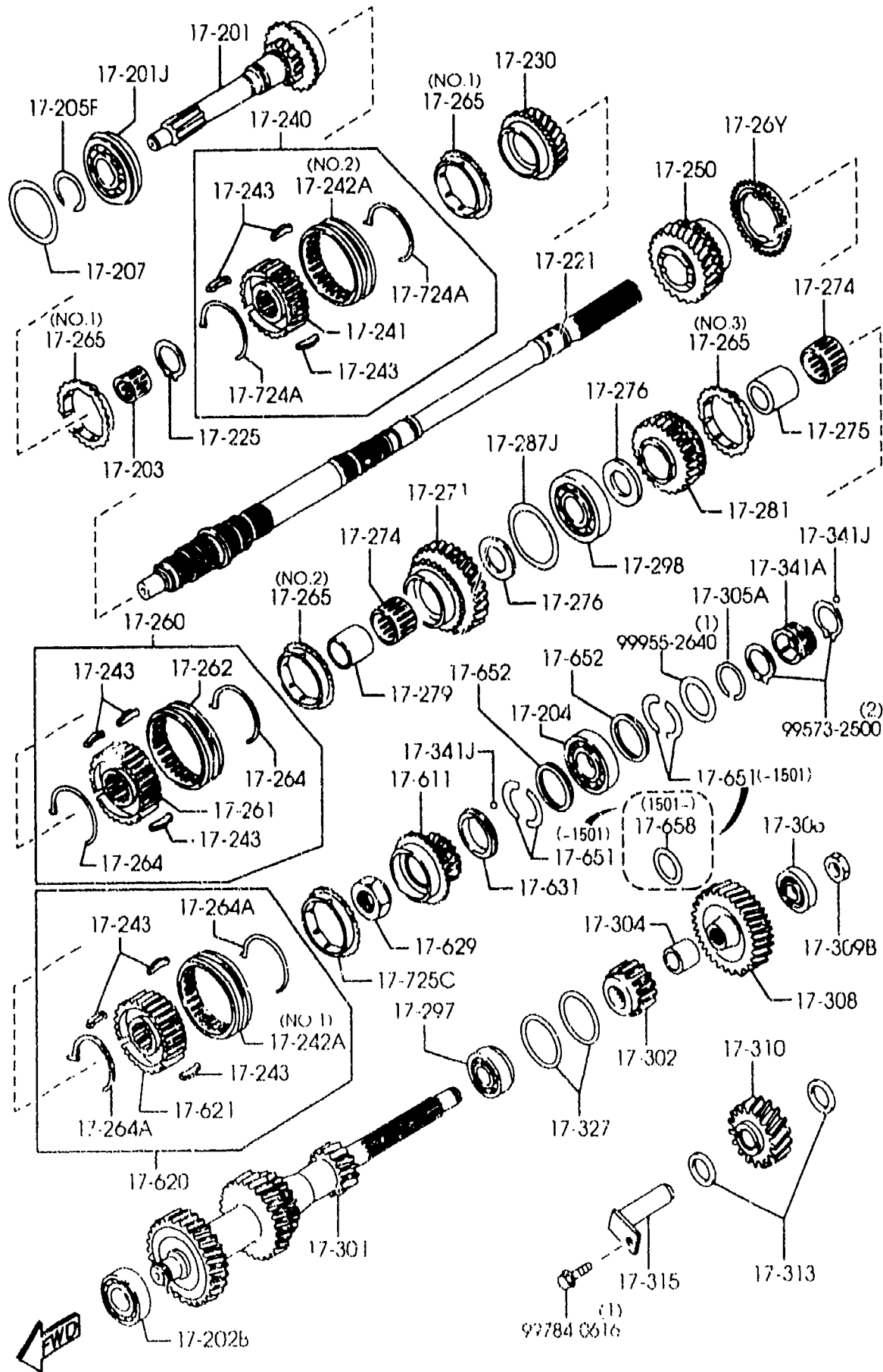
1710A MANUAL TRANSMISSION GEARS (5-SPEED)

1710A -3 MANUAL TRANSMISSION GEARS (5-SPEED)



PART NO.	QTY	MODEL/RESTRICTION	MODEL/RESTRICTION	MODEL/RESTRICTION	FROM-TO
17-264		SPRING, SYNCHRO. KEY	RESSORT, BAGUE SYNCHRO		
G401-17-264	2				
17-264A		SPRING, SYNCHRONIZER	RESSORT, CLE SYNCHRONIZAT.		
F401-17-264A	2				
17-265		RING, SYNCHRONIZER	BAGUE DE SYNCHRONISATION		
G501-17-265A	2 (ILLUST. NO.1)				
M502-17-265C	1 (ILLUST. NO.2)				
M504-17-265C	1 (ILLUST. NO.3)				
17-271		GEAR, 1ST	PIGNON RECEPTEUR, 1ER		
M516-17-271A	1				
17-274		BEARING, NEEDLE	ROULEMENT		
4069-17-283A	2				
17-275		RACE, INNER	BAGUE DE ROULEMENT, INTERIEURE		
4069-17-284E	1				
17-276		WASHER, THRUST	EPAISSEUR, PIGNON MARCHE ARR		
0259-17-274A	2	T=3.0MM	T=3.0MM		
0259-17-276	2	T=2.2MM	T=2.2MM		
0259-17-277	2	T=2.7MM	T=2.7MM		
0259-17-278	2	T=3.2MM	T=3.2MM		
0259-17-279	2	T=3.7MM	T=3.7MM		
17-279		SLEEVE, GEAR	BAGUE DE PIGNON		
8540-17-275A	1				
17-281		GEAR, REVERSE	PIGNON MARCHE AR		
M513-17-281C	1				
17-287J		SHIM, ADJUST	EPAISSEUR		
99963-6301	1	T=1MM	T=1MM		
99963-6310	1	T=0.1MM	T=0.1MM		



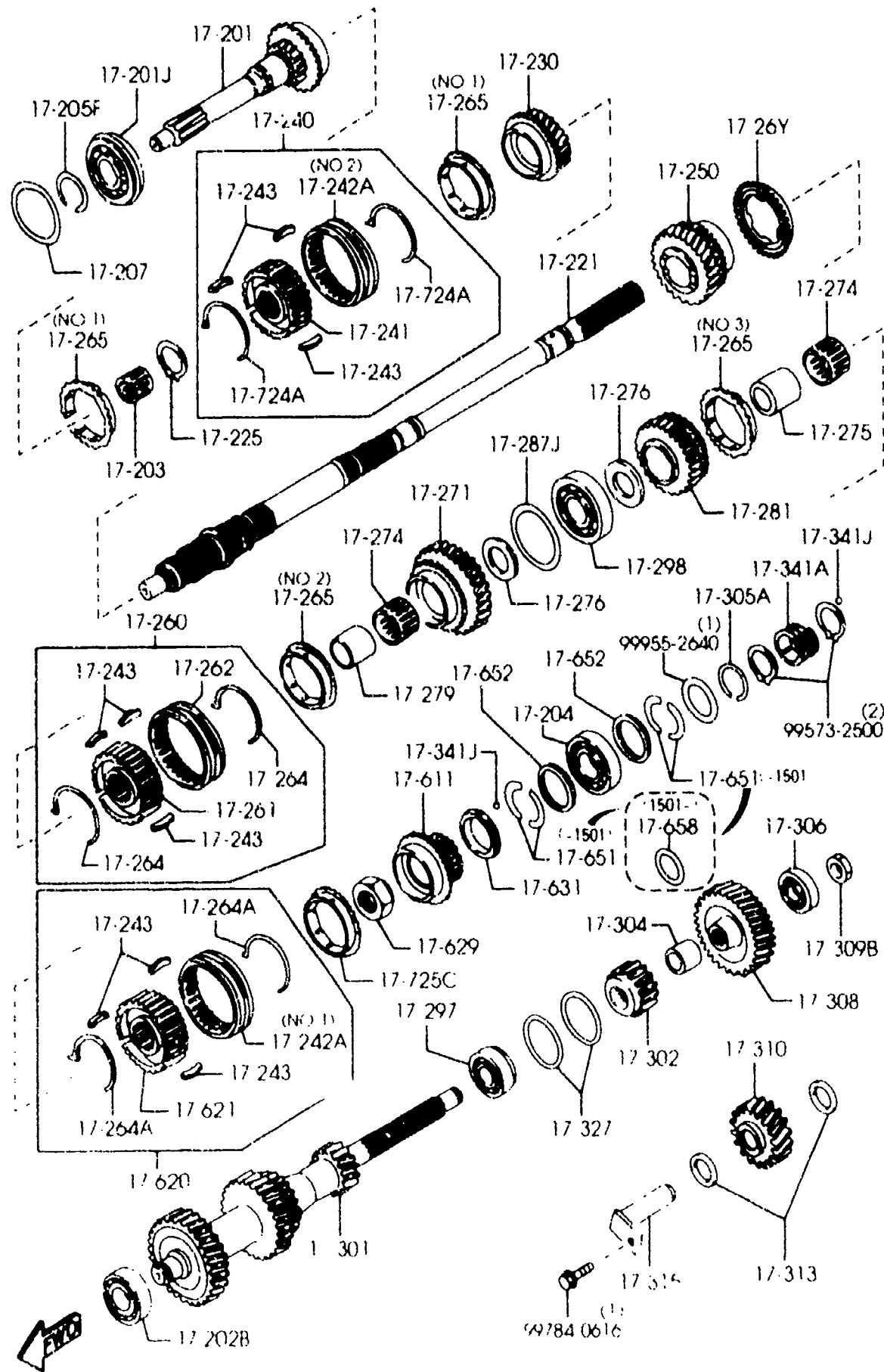


PART NO.	QTY	MODEL/RESTRICTION	MODEL/RESTRICTION	MODEL/RESTRICTION	FROM-TO
CONT'D	2				
99963-6330	2	T=0.3MM	T=0.3MM		
17-297	1	BEARING, BALL-COUNTER SHAFT G.	ROULEMENT A BILLES		
M506-17-297	1				
17-298	1	BEARING	ROULEMENT		
M502-17-298A	1				
17-301	1	GEAR, COUNTER SHAFT	TRAIN FIXE		
M528-17-301C	1				
17-302	1	GEAR, COUNTER REVERSE	PIGNON DE COMMANDE		
M516-17-302	1				
17-304	1	SPACER	RONDELLE		
M504-17-304	1				
17-305A	1	RING, RETAINING-BALL BEARING	BAGUE RETENTION		
0839-17-305B	1				-0C20
A (0839-17-305C)	1				9C20-1501
0839-17-305C	1				
17-306	1	BEARING, BALL	ROULEMENT A BILLES		
M502-17-299B	1				
17-308	1	GEAR, COUNTER	TRAIN FIXE		
M510-17-308	1				
17-309B	1	NUT, LOCK-COUNTER SHAFT BR	ECROU DE BLOCAGE		
M501-17-309	1				
17-310	1	GEAR, REVERSE IDLE	PIGNON DE RENVOI		
M513-17-310C	1				
17-313	2	WASHER, THRUST-REVERSE IDLE G.	EPAISSEUR, PIGNON MARCHE ARR		
M501-17-313	2				
17-315	1	SHAFT, REV. IDLE GEAR	ARBRE, PIGNON MARCHE ARR		
M501-17-140	1				

0C20 NB35**=208180
1501 NB35**=217826

1710A MANUAL TRANSMISSION GEARS (5-SPEED)

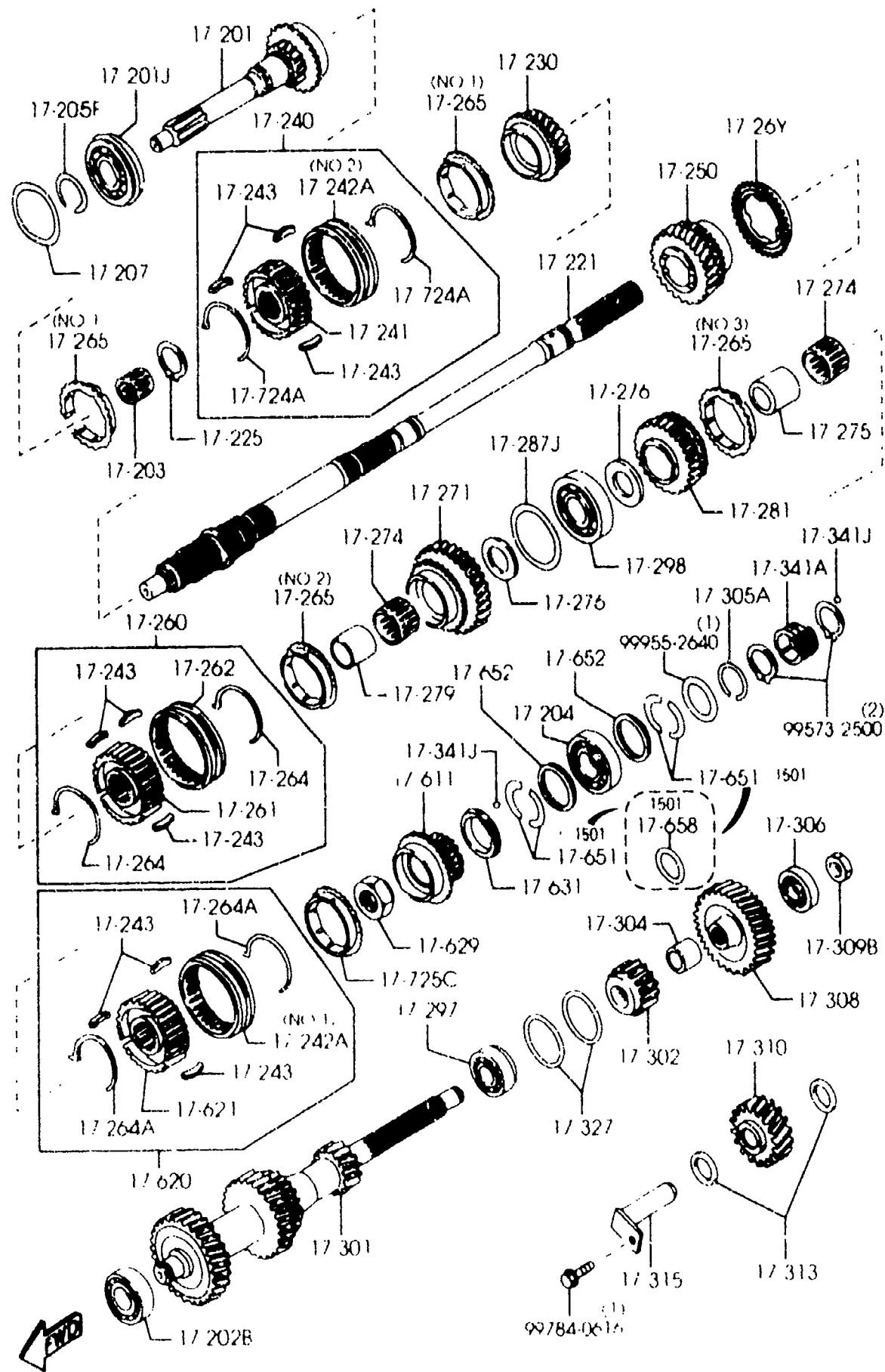
1710A -5 MANUAL TRANSMISSION GEARS (5-SPEED)



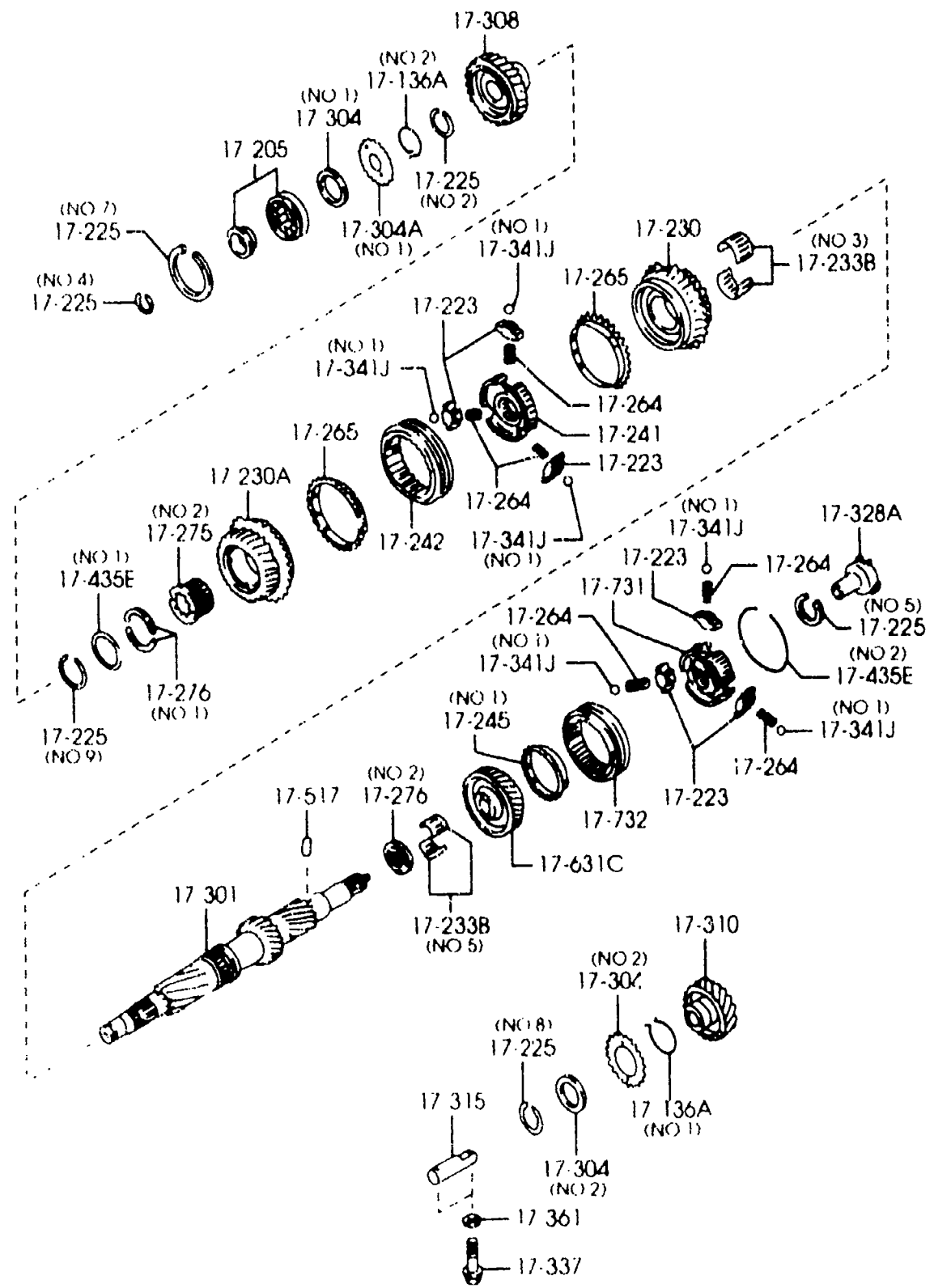
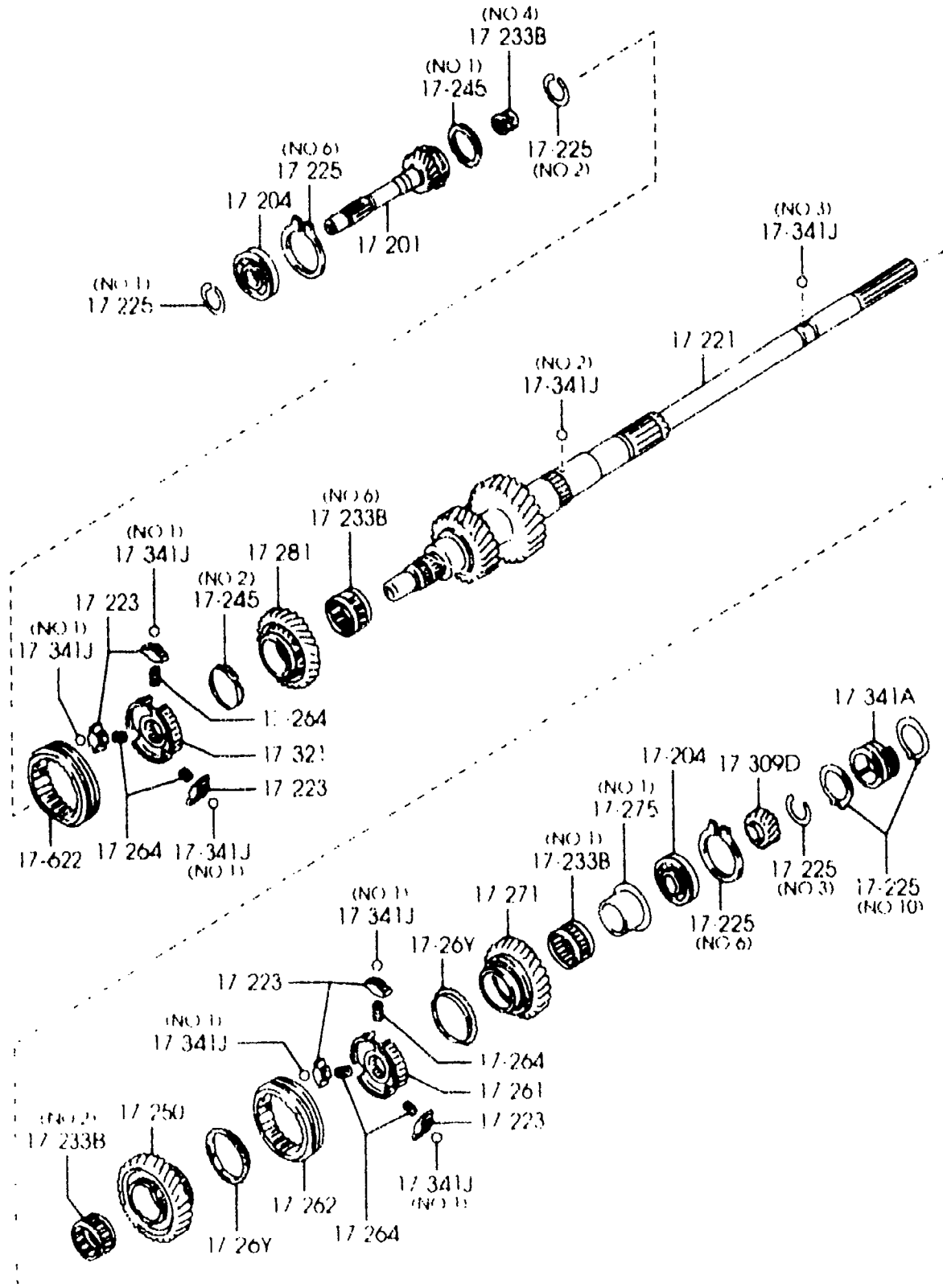
PART NO.	QTY	MODEL/RESTRICTION	MODEL/RESTRICTION	MODIFI./RESTRICTION	FROM-TO
17-327	2	SHIM, ADJUST-COUNTER SHAFT GEAR T=0.1MM	EPAISSEUR T=0.1MM		
0305-17-327	2				
17-328	2	T=0.3MM	T=0.3MM		
0305-17-328	2				
17-341A	1	GEAR, SPEEDO.DRIVE	VIS DE COMMANDE COMPTEUR		
0303-17-341A	1				
17-341J	2	BALL, STEEL	BILLE D'ACIER		
99611-1500	2				
17-611	1	GEAR, OVER TOP	MODERATEUR VITESSE		
M517-17-611	1				
17-620	1	HUB SET, CLUTCH-O.T. & REV	JEU, PIGNONS MARCHE A R		
M505-17-620C	1				
17-621	1	HUB, CLUTCH	PIGNON FIXE		
M505-17-621A	1				
17-629	1	NUT, LOCK-CLUTCH HUB	ECROU DE SERRAGE		
8601-17-629	1				
17-631	1	WASHER, THRUST LOCK-OVER TOP G. T=6.2MM	KONDELLE T=6.2MM		
0984-17-632C	1				
0884-17-633C	1	T=6.4MM	T=6.4MM		
0884-17-634C	1	T=6.5MM	T=6.5MM		
0884-17-635C	1	T=6.6MM	T=6.6MM		
17-651	4	WASHER, THRUST T=3.0MM	RONDILLE, BUTEE T=3.0MM		-1501
M501-17-651	4				
M501-17-653	2	T=3.1MM	T=3.1MM		-1501
M501-17-654	2	T=3.2MM	T=3.2MM		-1501
M501-17-655	2	T=2.9MM	T=2.9MM		-1501
1501 NB35MM-217826					

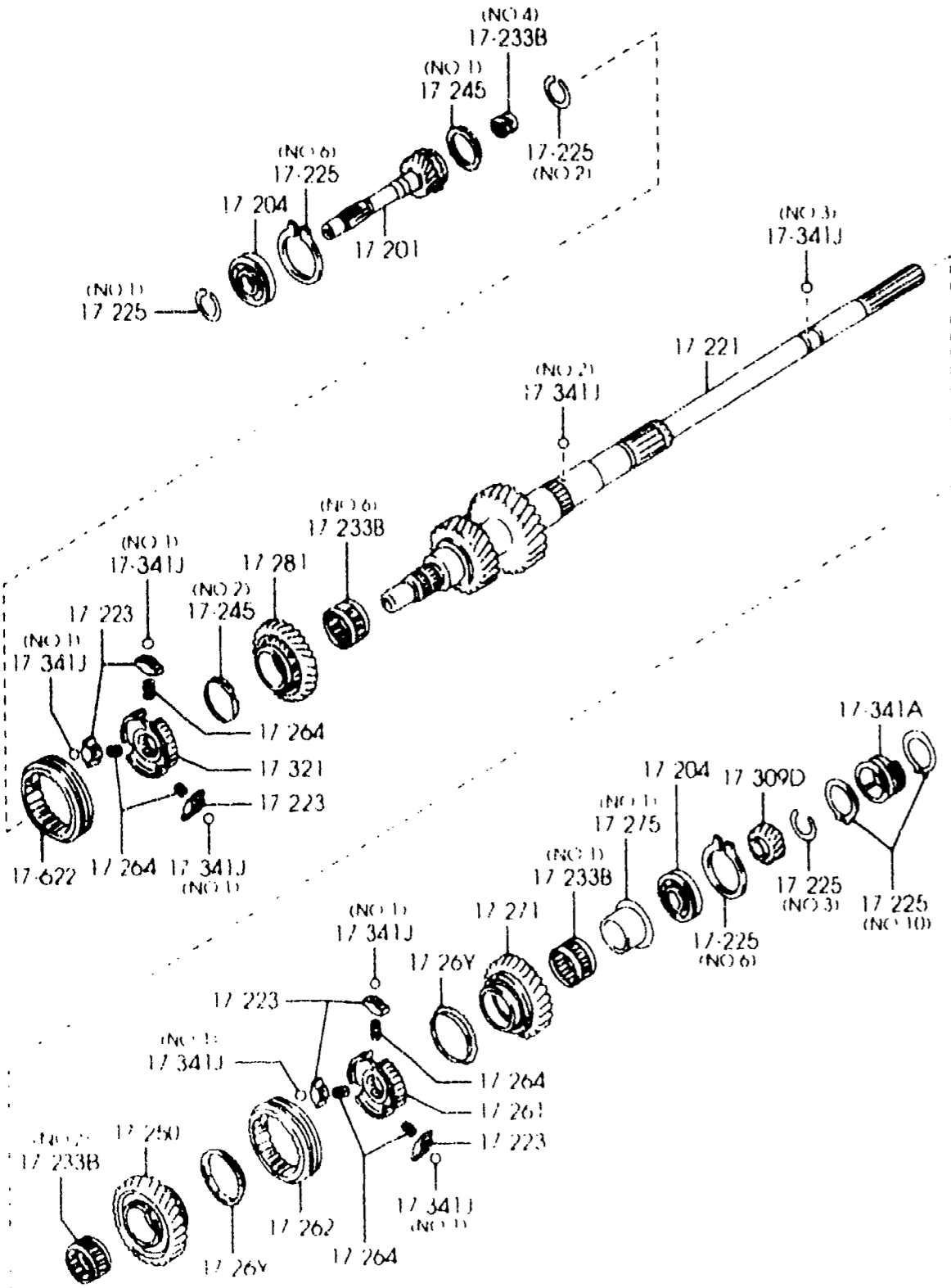
1710A MANUAL TRANSMISSION GEARS (5-SPEED)

1710A -6 * MANUAL TRANSMISSION GEARS (5-SPEED)



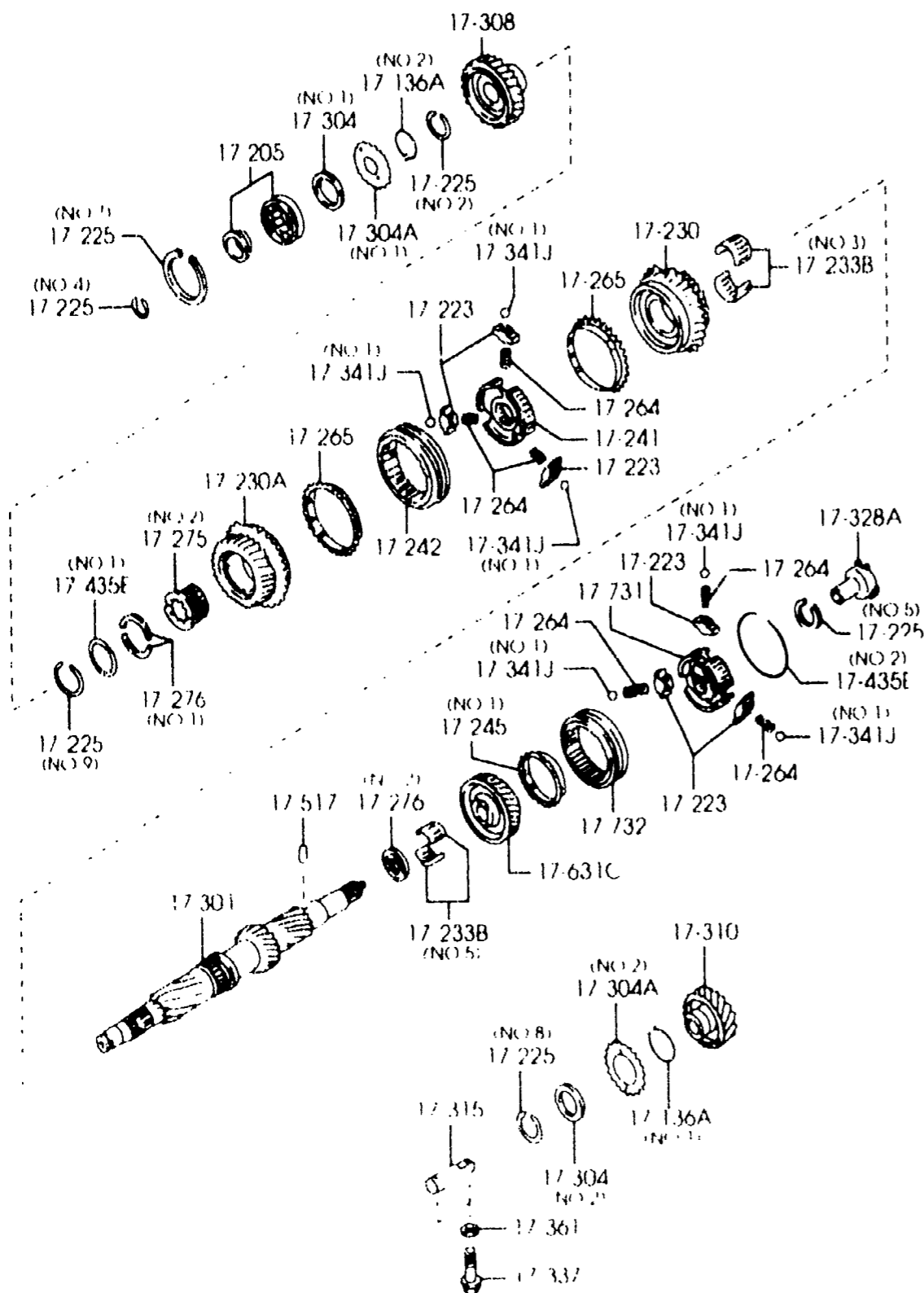
PART NO.	QTY	MODEL/RESTRICTION	MODEL/RESTRICTION	MODEL/RESTRICTION	FROM-TO
17-652		RING, THRUST WASHER	ANNEAU		
M501-17-652	2	T=2.0MM	T=2.0MM		-1501
17-658		RING	CERCLE		
M508-17-637 A (M508-17-637A)	1	T=2.9MM	T=2.9MM		1501-1A01
M509-17-637 A (M509-17-637A)	2	T=3.0MM	T=3.0MM		1501-1A01
M510-17-637 A (M510-17-637A)	1	T=3.1MM	T=3.1MM		1501-1A01
M508-17-637A	1	T=2.9MM	T=2.9MM		1A01-
M509-17-637A	2	T=3MM	T=3MM		1A01-
M510-17-637A	1	T=3.1MM	T=3.1MM		1A01-
17-724A		SPRING, SYNCHRO. KEY	RESSORT SINCHRONISAT EUR		
M501-17-724	2				
17-725C		RING, SYNCHRONIZER	BAGUE, SYNCHRONIZATEU R		
V501-17-725	1				
1501 NB35** -217826 1A01 NB35** -223281					





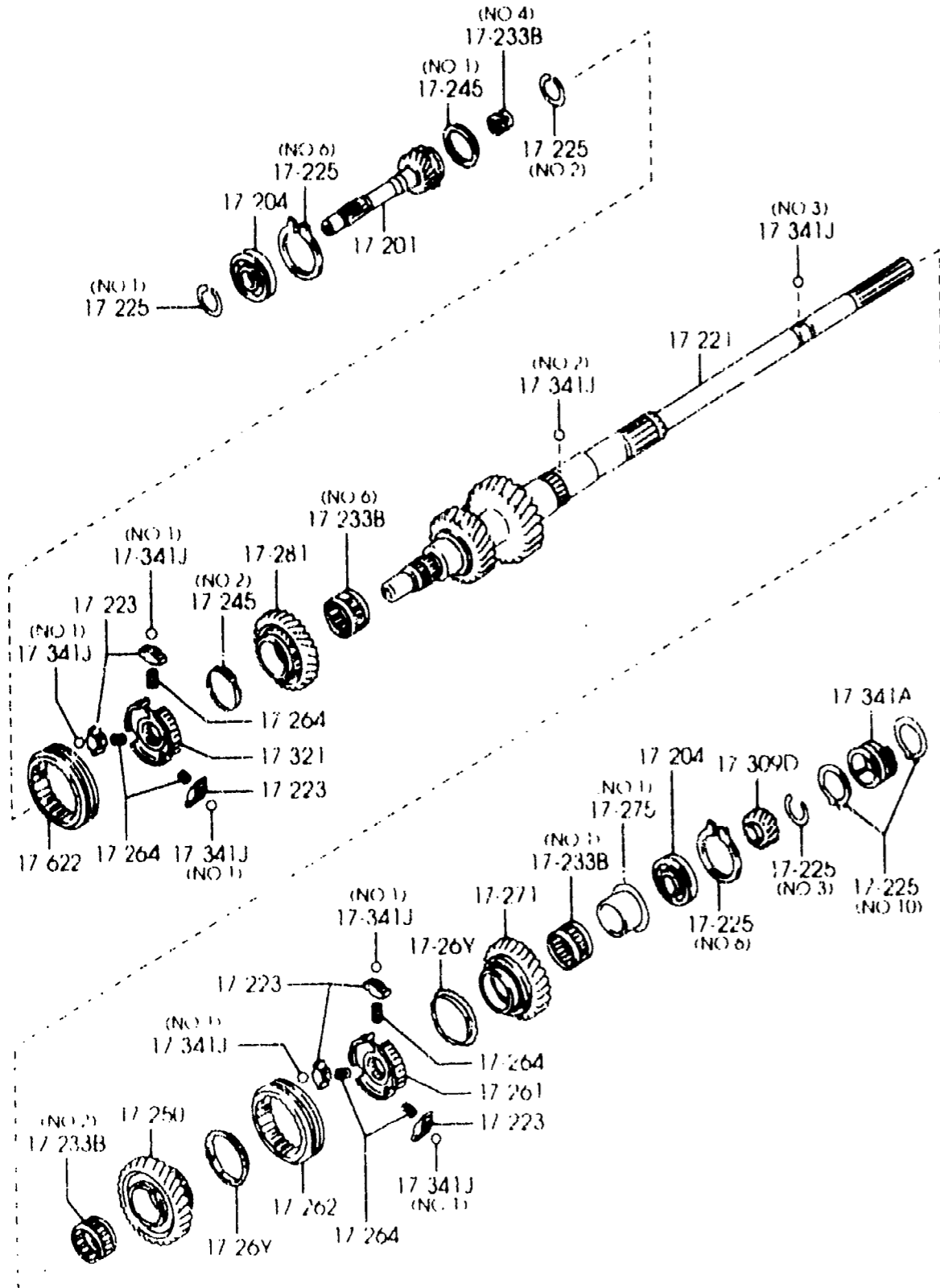
PART NO	QTY	MODEL/RESTRICTION	MODEL/RESTRICTION	MODEL/RESTRICTION	FROM-TO
17-136A		SPRING, TORSION	RESSORT, TORSION		
Y601-17-136	1	(ILLUST. NO.1)			
Y602-17-136	1	(ILLUST. NO.2)			
17-201		GEAR, MAIN DRIVE	ARBRE MOTEUR		
Y601-17-21X	1				
17-204		BEARING, BALL-MAIN SH AFT	ROULEMENT A BILLES		
Y601-17-204	2				
17-205		BEARING, ROLLER	ROULEMENT		
Y601-17-306	1				
17-221		SHAFT, MAIN	ARBRE RECEPTEUR		
Y601-17-221	1				
17-223		KEY, SYNCHRONIZER	CALE DE SYNCHRONISATION		
Y601-17-263	12				
17-225		RING, SNAP	CALE		
Y601-17-225	1	T=1.95MM (ILLUST. NO.1)	T=1.95MM		
Y602-17-225	1	T=2.00MM (ILLUST. NO.1)	T=2.00MM		
Y603-17-225	1	T=2.05MM (ILLUST. NO.1)	T=2.05MM		
Y604-17-225	1	T=2.10MM (ILLUST. NO.1)	T=2.10MM		
Y605-17-225	1	T=2.15MM (ILLUST. NO.1)	T=2.15MM		
Y606-17-225	1	T=2.20MM (ILLUST. NO.1)	T=2.20MM		
Y611-17-225	2	T=1.80MM (ILLUST. NO.2)	T=1.80MM		
Y612-17-225	2	T=1.85MM (ILLUST. NO.2)	T=1.85MM		
Y613-17-225	2	T=1.90MM (ILLUST. NO.2)	T=1.90MM		
Y614-17-225	2	T=1.95MM (ILLUST. NO.2)	T=1.95MM		
Y615-17-225	2	T=2.00MM (ILLUST. NO.2)	T=2.00MM		
Y616-17-225		T=2.05MM	T=2.05MM		





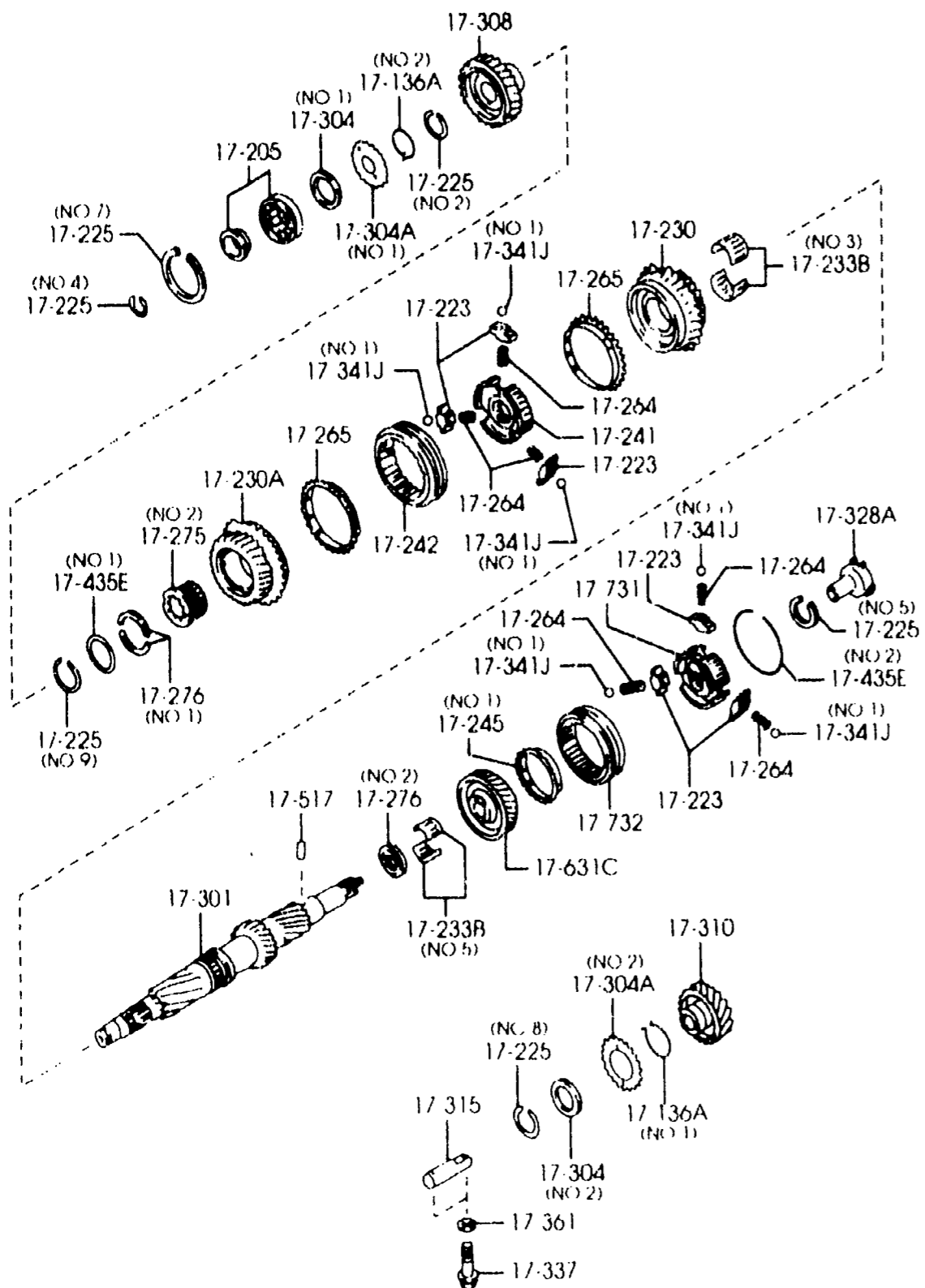
PART NO.	QTY	MODEL/RESTRICTION	MODEL/RESTRICTION	MODEL/RESTRICTION	FROM - TO
CONT'D	2	(ILLUST. NO. 2)			
Y621-17-225	1	T=2.67MM (ILLUST. NO. 3)	T=2.67MM		
Y622-17-225	1	T=2.73MM (ILLUST. NO. 3)	T=2.73MM		
Y623-17-225	1	T=2.79MM (ILLUST. NO. 3)	T=2.79MM		
Y624-17-225	1	T=2.85MM (ILLUST. NO. 3)	T=2.85MM		
Y625-17-225	1	T=2.91MM (ILLUST. NO. 3)	T=2.91MM		
Y626-17-225	1	T=2.97MM (ILLUST. NO. 3)	T=2.97MM		
Y627-17-225	1	T=3.03MM (ILLUST. NO. 3)	T=3.03MM		
Y628-17-225	1	T=3.09MM (ILLUST. NO. 3)	T=3.09MM		
Y629-17-225	1	T=3.15MM (ILLUST. NO. 3)	T=3.15MM		
Y630-17-225	1	T=3.21MM (ILLUST. NO. 3)	T=3.21MM		
Y631-17-225	1	T=3.27MM (ILLUST. NO. 3)	T=3.27MM		
Y641-17-225	1	T=2.10MM (ILLUST. NO. 4)	T=2.10MM		
Y642-17-225	1	T=2.20MM (ILLUST. NO. 4)	T=2.20MM		
Y643-17-225	1	T=2.05MM (ILLUST. NO. 4)	T=2.05MM		
Y644-17-225	1	T=2.15MM (ILLUST. NO. 4)	T=2.15MM		
Y645-17-225	1	T=2.25MM (ILLUST. NO. 4)	T=2.25MM		
Y646-17-225	1	T=2.30MM (ILLUST. NO. 4)	T=2.30MM		
Y651-17-225	1	T=2.80MM (ILLUST. NO. 5)	T=2.80MM		
Y652-17-225	1	T=2.85MM (ILLUST. NO. 5)	T=2.85MM		
Y653-17-225	1	T=2.90MM (ILLUST. NO. 5)	T=2.90MM		
Y654-17-225	1	T=2.95MM (ILLUST. NO. 5)	T=2.95MM		
Y655-17-225	1	T=3.00MM (ILLUST. NO. 5)	T=3.00MM		





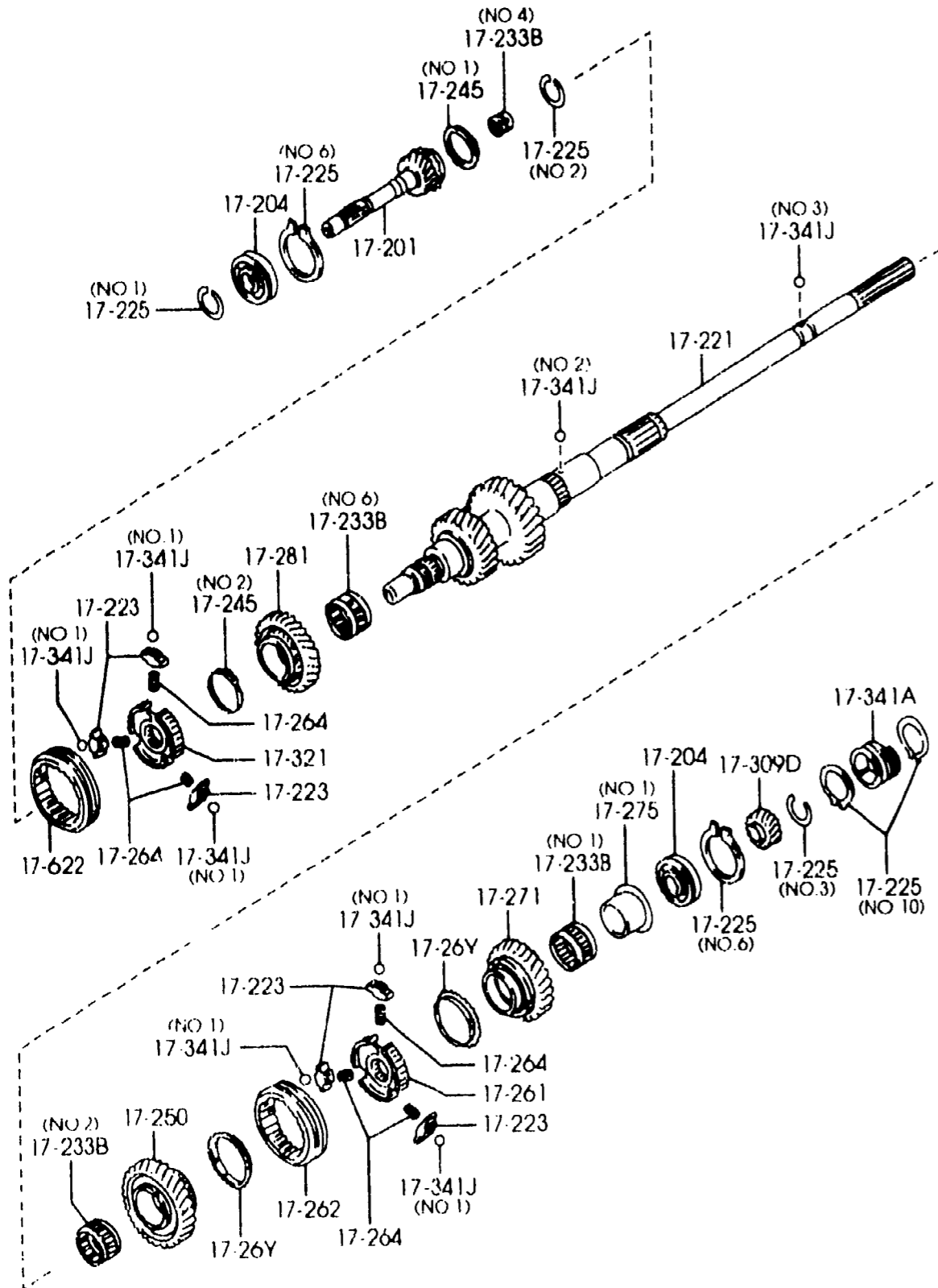
PART NO.	QTY	MODEL/RESTRICTION	MODEL/RESTRICTION	MODEL/RESTRICTION	FROM-TO
CONT'D					
Y656-17-225	1	T=3.05MM (ILLUST. NO.5)	T=3.05MM		
Y661-17-225	2	(ILLUST. NO.6)			
Y662-17-225	1	(ILLUST. NO.7)			
Y663-17-225	1	(ILLUST. NO.8)			
Y664-17-225	1	(ILLUST. NO.9)			
Y665-17-225	2	(ILLUST. NO.10)			
17-230		GEAR, 3RD	PIGNON RECEPTEUR, 3E ME		
Y601-17-230	1				
17-230A		GEAR, 4TH	PIGNON 4E		
Y601-17-220	1				
17-233B		BEARING, NEEDLE	ROULEMENT		
Y601-17-233	1	(ILLUST. NO.1)			
Y602-17-233	1	(ILLUST. NO.2)			
Y603-17-233	1	(ILLUST. NO.3)			
Y604-17-233	1	(ILLUST. NO.4)			
Y605-17-233	1	(ILLUST. NO.5)			
Y606-17-233	1	(ILLUST. NO.6)			
17-241		HUB, CLUTCH	PIGNON FIXE		
Y601-17-241	1				
17-242		SLEEVE, CLUTCH HUB	MANCHON, MOYEU D, EMBRAYAGE		
Y601-17-242	1				
17-245		RING, SYNCHRONIZER	BAGUE DE SYNCHRONISATION		
Y601-17-245	2	(ILLUST. NO.1)			
Y602-17-245	1	(ILLUST. NO.2)			
17-250		GEAR, 2ND	PIGNON RECEPTEUR, 2E ME		
Y601-17-251	1				
17-26Y		RING, SYNCHRONIZER	BAGUE DE SYNCHRONISATION		
Y601-17-26Y	2				
17-261		HUB, CLUTCH	PIGNON FIXE		





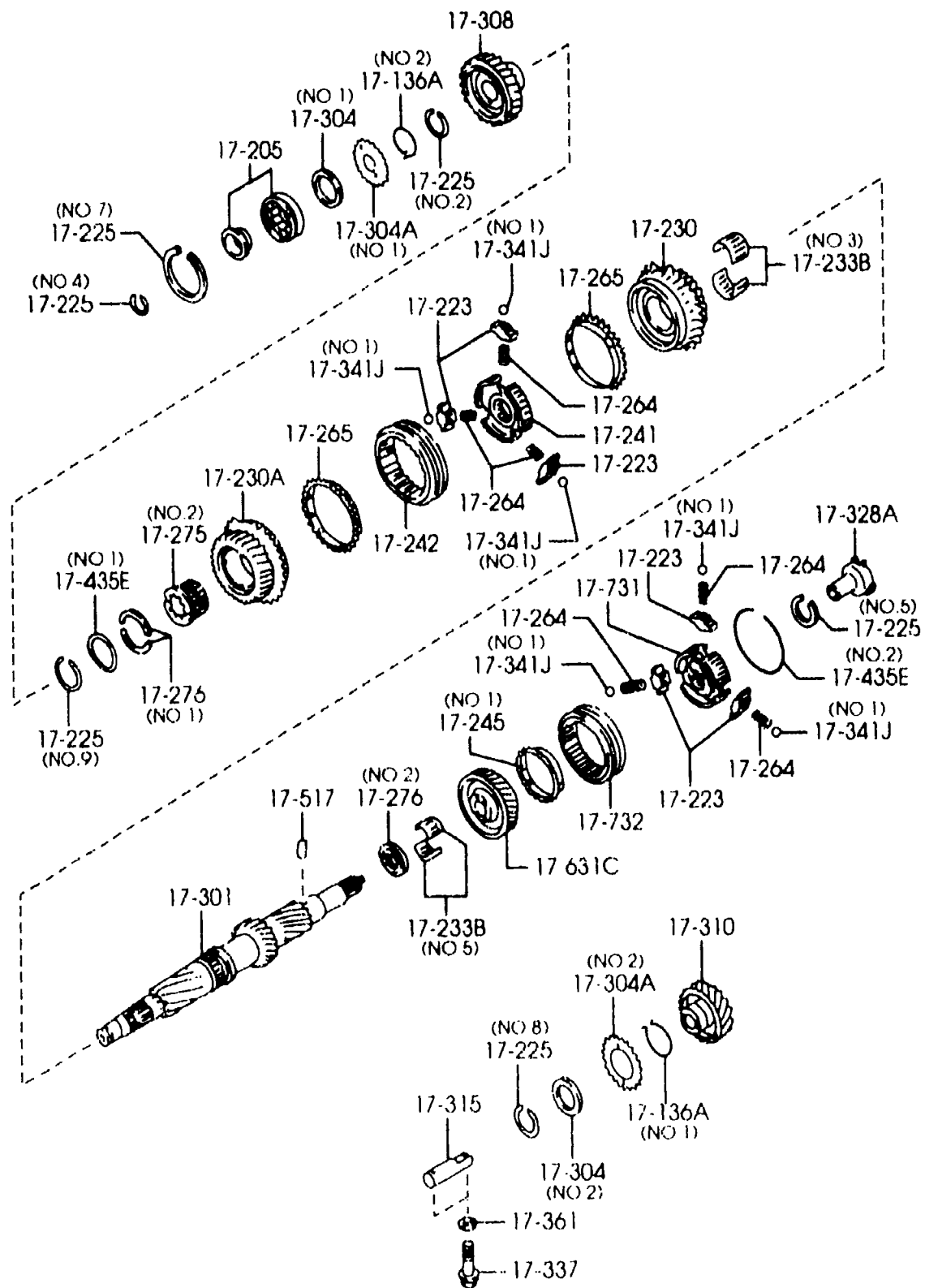
PART NO.	QTY	MODEL/RESTRICTION	MODEL/RESTRICTION	MODEL/RESTRICTION	FROM-TO
CONT'D Y601-17-261	1				
↑ 17-262 ↓		SLEEVE, CLUTCH HUB	SYNCHROMECHÉ		
Y601-17-262	1				
↑ 17-264 ↓		SPRING, SYNCHRO. KEY	RESSORT, BAGUE SYNCHRO		
Y601-17-264	12				
↑ 17-265 ↓		RING, SYNCHRONIZER	BAGUE DE SYNCHRONISATION		
Y601-17-265	2				
↑ 17-271 ↓		GEAR, 1ST	PIGNON RECEPTEUR, 1ER		
Y601-17-271	1				
↑ 17-275 ↓		RACE, INNER	BAGUE DE ROULEMENT, INTERIEURE		
Y601-17-285	1 (ILLUST. NO.1)				
Y602-17-285	1 (ILLUST. NO.2)				
↑ 17-276 ↓		WASHER, THRUST	EPAISSEUR, PIGNON MARCHE ARR		
Y601-17-276	2 (ILLUST. NO.1)	T=3.75MM	T=3.75MM		
Y602-17-276	2 (ILLUST. NO.1)	T=3.80MM	T=3.80MM		
Y603-17-276	2 (ILLUST. NO.1)	T=3.85MM	T=3.85MM		
Y604-17-276	2 (ILLUST. NO.1)	T=3.90MM	T=3.90MM		
Y605-17-276	2 (ILLUST. NO.1)	T=3.95MM	T=3.95MM		
Y606-17-276	2 (ILLUST. NO.1)	T=4.00MM	T=4.00MM		
Y607-17-276	2 (ILLUST. NO.1)	T=4.05MM	T=4.05MM		
Y608-17-276	2 (ILLUST. NO.1)	T=4.10MM	T=4.10MM		
Y609-17-276	1 (ILLUST. NO.2)				
↑ 17-281 ↓		GEAR, REVERSE	PIGNON MARCHE AR		
Y601-17-281	1				
↑ 17-301 ↓		GEAR, COUNTER SHAFT	TRAIN FIXE		
Y601-17-301	1				





PART NO.	QTY	MODEL/RESTRICTION	MODEL/RESTRICTION	MODEL/RESTRICTION	FROM-TO
17-304		SPACER	RONDELLE		
Y601-17-307	1	(ILLUST. NO.1)			
Y602-17-307	1	(ILLUST. NO.2)			
17-304A		GEAR, FRICTION	ENGRENAGE DE FRICTIO N		
Y601-17-304	1	(ILLUST. NO.1)			
Y602-17-304	1	(ILLUST. NO.2)			
17-308		GEAR, COUNTER	TRAIN FIXE		
Y601-17-318	1				
17-309D		GEAR, COUNTER (6TH)	VITESSE COMPTEUR (SIX IEME)		
Y601-17-309	1				
17-310		GEAR, REVERSE IDLE	PIGNON DE RENVOI		
Y601-17-310	1				
17-315		SHAFT, REV. IDLE GEAR	ARBRE, PIGNON MARCHÉ ARR		
Y601-17-315	1				
17-321		HUB, CLUTCH	PIGNON FIXE		
Y601-17-621	1				
17-328A		FUNNEL	ENTONNOIR		
Y601-17-32X	1				
17-337		BOLT	BOULON		
Y602-17-337	2				
17-341A		GEAR, SPEEDO. DRIVE	VIS DE COMMANDE COMP TEUR		
M503-17-341A	1				
17-341J		BALL, STEEL	BILLE D'ACIER		
Y601-17-108	12	(ILLUST. NO.1)			
Y604-17-108	1	(ILLUST. NO.2)			
Y605-17-108	1	(ILLUST. NO.3)			
17-361		GASKET, REAR COVER	JOINT AR		
Y602-17-361	2				



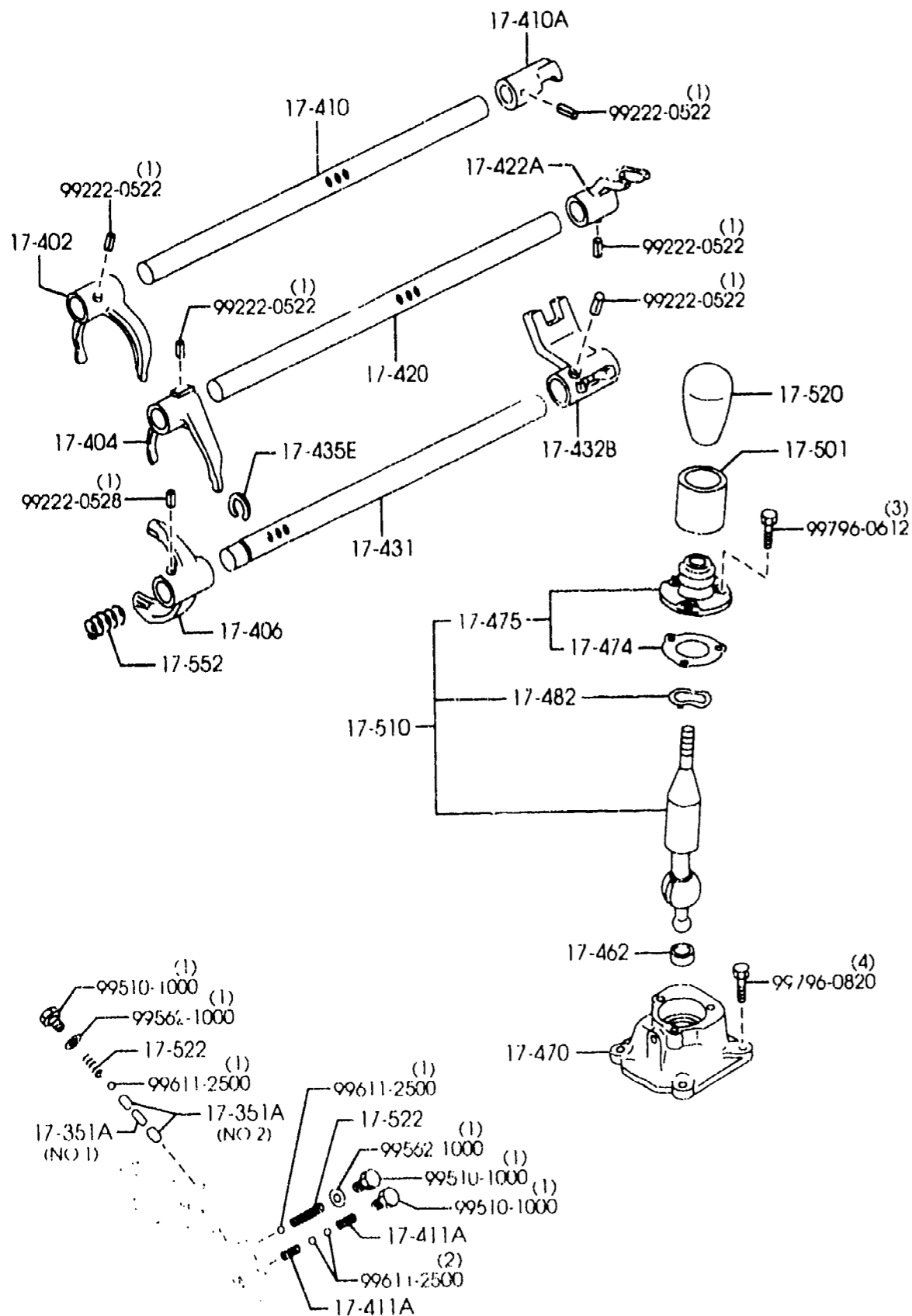


PART NO.	QTY	MODEL/RESTRICTION	MODEL/RESTRICTION	MODEL/RESTRICTION	FROM-TO
17-435E		RING, RETAINING	ANNEAU DE RETENUE		
Y602-17-435	1	(ILLUST. NO. 1)			
Y603-17-435	1	(ILLUST. NO. 2)			
17-517		PIN	CLAVETTE		
Y601-17-517	1				
17-622		SLEEVE, CLUTCH HUB	MANCHON, EMBRAYAGE		
Y601-17-622A	1				
17-631C		GEAR, 6TH	VITESSE, SIXIEME		
Y601-17-631	1				
17-731		HUB, CLUTCH	PIGNON FIXE		
Y601-17-731	1				
17-732		SLEEVE, CLUTCH HUB	DOUILLE, MOYFU EMBRAYAGE		
Y601-17-732	1				

1-K-7

1720A MANUAL TRANSMISSION CHANGE CONTROL SYSTEM (5-SPEED)

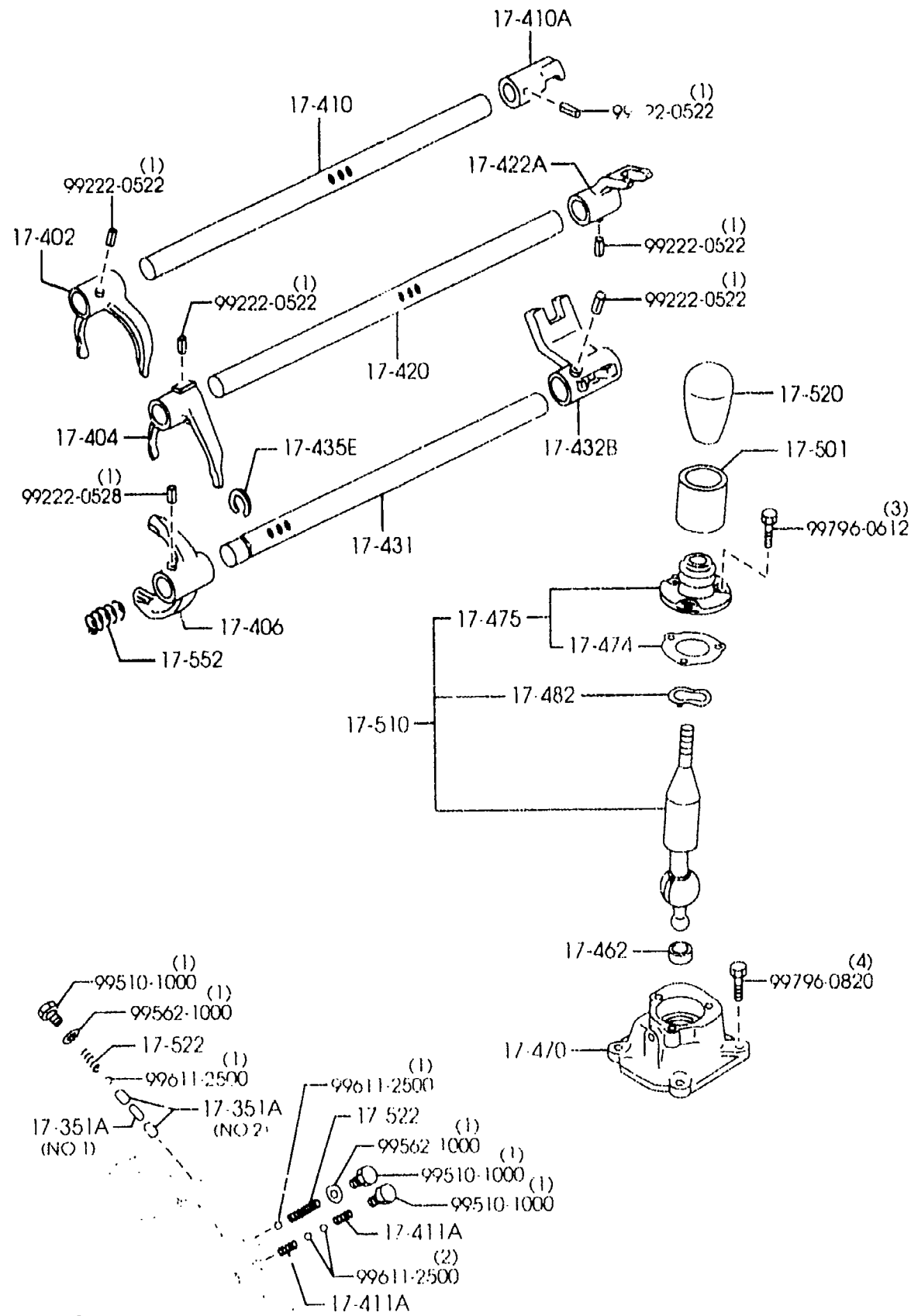
1720A -1 MANUAL TRANSMISSION CHANGE CONTROL SYSTEM (5-SPEED)



PART NO.	QTY	MODEL/RESTRICTION	MODEL/RESTRICTION	MODEL/RESTRICTION	FROM-TO
17-351A		PIN, INTER LOCK	CLAVETTE D'INTERDICTION		
R501-17-351	1	(ILLUST. NO.1)			
0114-17-351	2	(ILLUST. NO.2)			
17-402		FORK, SHIFT (1ST & 2ND)	FOURCHETTE, VITESSE D)		
M503-17-402	1				
17-404		FORK, SHIFT (3RD & 4TH)	FOURCHETTE, VITESSE H)		
M501-17-404D	1				
17-406		FORK, SHIFT	FOURCHETTE, VITESSE		
M504-17-406A	1				
17-410		ROD, SHIFT (1ST&2ND)	TIGE, CHANGEMENT VITESSES		
M503-17-411	1				
17-410A		END, S/ROD (1ST&2ND)	EXTREMITE,		
M509-17-412A	1				
17-411A		SPRING, SHIFT ROD-REVERSE	RESSORT		
0014-17-411	2				
17-420		ROD, SHIFT (3RD&4TH)	TIGE, CHANGEMENT VITESSES		
M504-17-421A	1				
17-422A		END, S/ROD (3RD&4TH)	EXTREMITE,		
M509-17-422A	1				
17-431		ROD, SHIFT-OVER TOP & REVERSE	COULISSEAU		
M506-17-431A	1				
17-432B		END, SHIFT ROD (O/TOP & REV.)	BOUT, TIGE SEL V.O.T. & REV		
M511-17-432A	1				
17-435E		RING, RETAINING	ANNEAU DE RETENUE		
R502-17-435	1				
17-462		SHEET, SPRING	SIEGE DE RESSORT		
0398-17-462A	1				

1720A MANUAL TRANSMISSION CHANGE CONTROL SYSTEM (5-SPEED)

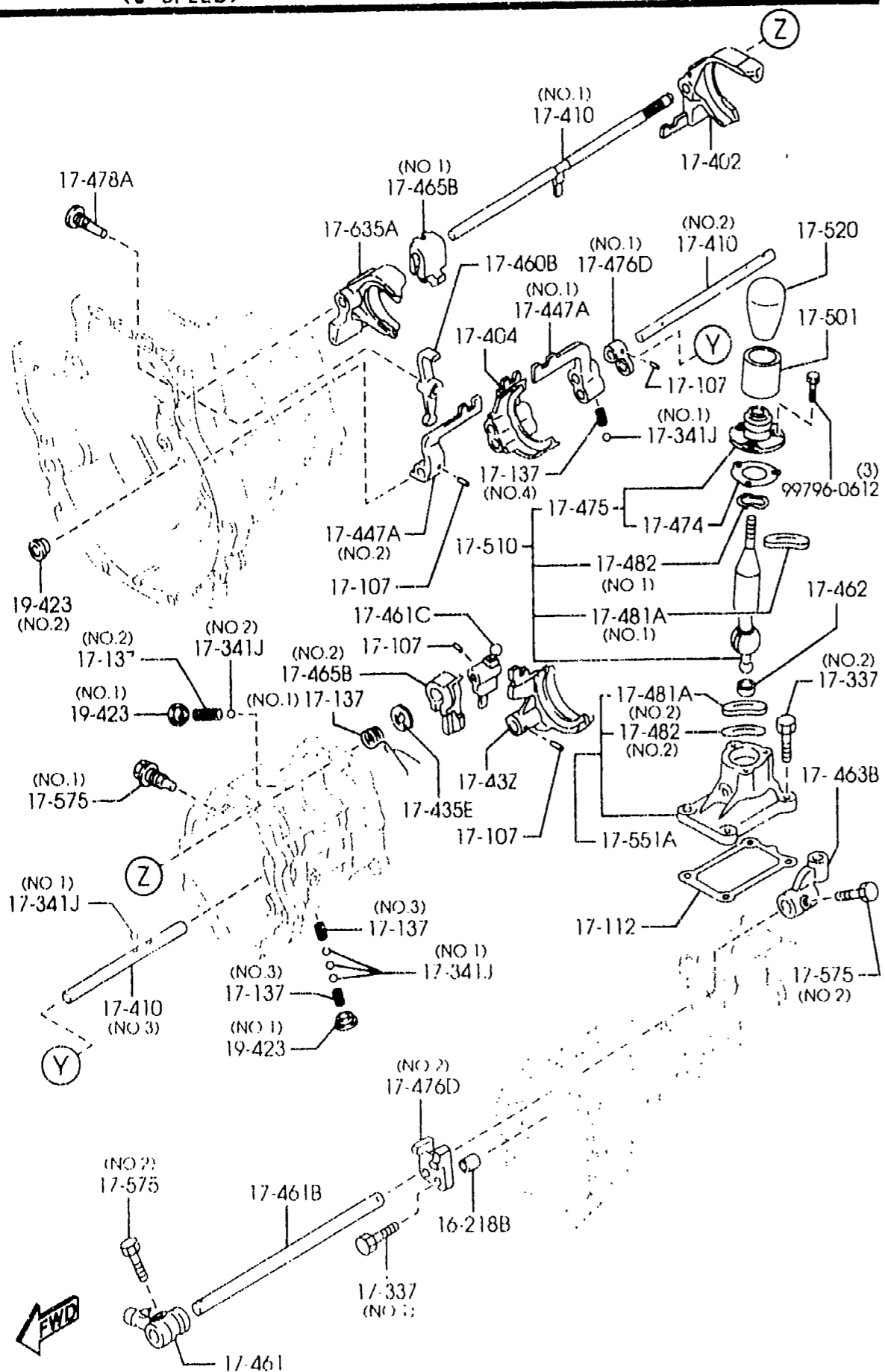
1720A -2 * MANUAL TRANSMISSION CHANGE CONTROL SYSTEM (5-SPEED)



PART NO.	QTY	MODEL/RESTRICTION	MODEL/RESTRICTION	MODEL/RESTRICTION	FROM-TO
17-470		CASE, CHANGE CONTROL	LOGEMENT, LEVIER DE VITESSE		
M513-17-470	1				
17-474		GASKET, COVER PLATE	JOINT		
0393-17-474	1				
17-475		BOOT, DUST-CHANGE LEVER	CACHE-POUSSIÈRE		
M513-17-480A	1				
17-482		WASHER, WAVE-CHANGE CONTROL CASE	RONDELLE BOMBÉE		
M505-17-482	1				
17-501		INSULATOR, CHG LEVER	ISOLANT, LEVIER VITESSE		
M501-17-501	1				
17-510		LEVER, CHANGE	LEVIER DE VITESSES		
M528-17-510A	1				
17-520		KNOB, CHANGE LEVER	BOULE DE LEVIER DE VITESSE		
M523-17-520	1				
17-522		SPRING	RESSORT		
0103-17-411	2				
17-552		SPRING	RESSORT		
M505-17-552	1				

1720AA MANUAL TRANSMISSION CHANGE CONTROL SYSTEM
(6-SPEED)

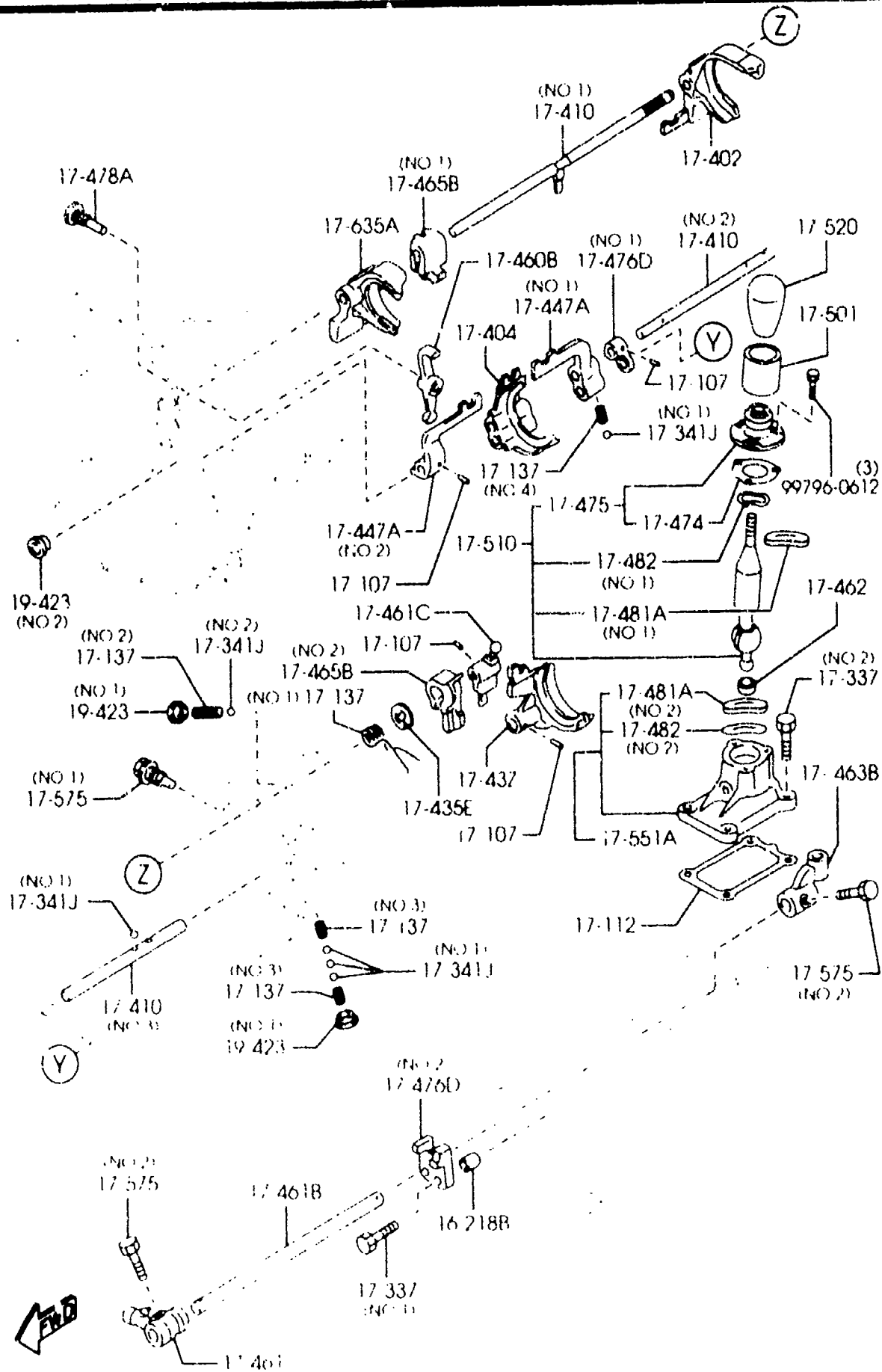
1720AA-1 MANUAL TRANSMISSION CHANGE CONTROL SYSTEM
(6-SPEED)



PART NO.	QTY	MODEL/RESTRICTION	MODEL/RESTRICTION	MODEL/RESTRICTION	FROM-TO
16-218B		PIN,TUBULAR	RONDELLE TUBULAIRE		
Y601-17-209	2				
17-107		PIN,SPRING	AXE DE RESSORT		
Y601-17-107	4				
17-112		GASKET	JOINT		
Y601-17-112	1				
17-137		SPRING	RESSORT		
Y603-17-136	1 (ILLUST. NO.1)				
Y601-17-137	1 (ILLUST. NO.2)				
Y602-17-137	2 (ILLUST. NO.3)				
Y603-17-137	1 (ILLUST. NO.4)				
17-337		BOLT	BOULON		
Y603-17-337	2 (ILLUST. NO.1)				
Y606-17-337	4 (ILLUST. NO.2)				
17-341J		BALL,STEEL	BILLE D'ACIER		
Y602-17-108	5 (ILLUST. NO.1)				
Y603-17-108	1 (ILLUST. NO.2)				
17-402		FORK,SHIFT (1ST & 2ND)	FOURCHETTE, VITESSE D)		
Y601-17-40X	1				
17-404		FORK,SHIFT (3RD & 4TH)	FOURCHETTE, VITESSE H)		
Y601-17-40Y	1				
17-410		ROD,SHIFT(1ST&2ND)	TIGE,CHANGEMENT VITESSES		
Y601-17-411A	1 (ILLUST. NO.1)				
Y602-17-411	1 (ILLUST. NO.2)				
Y603-17-411	1 (ILLUST. NO.3)				
17-43Z		FORK,SHIFT-6	FOURCHETTE, VITESSE		
Y601-17-43Z	1				
17-435E		RING,RETAINING	ANNEAU DE RETENUE		
Y601-17-435	1				

1720AA MANUAL TRANSMISSION CHANGE CONTROL SYSTEM
(6-SPEED)

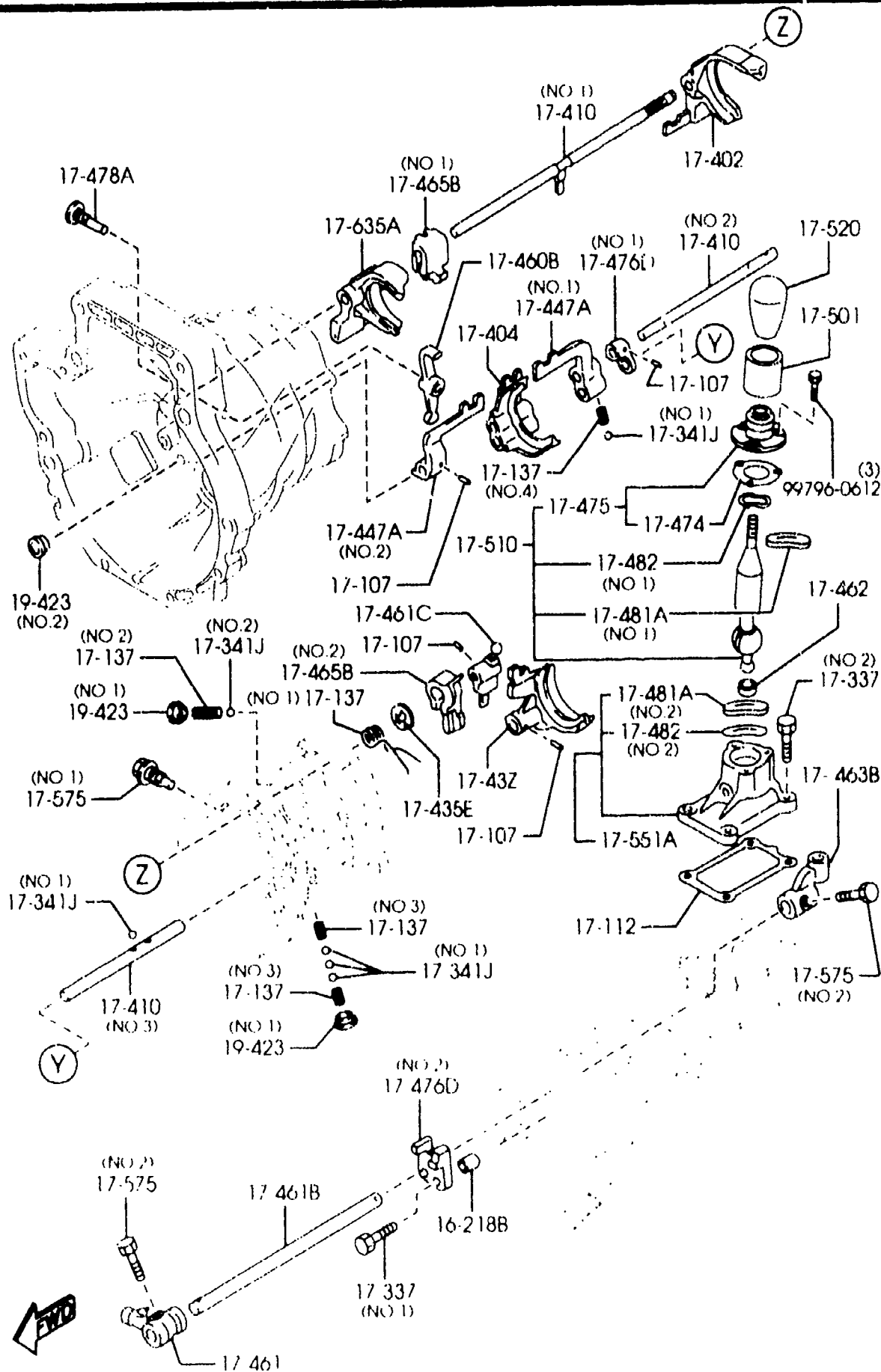
1720AA-2 MANUAL TRANSMISSION CHANGE CONTROL SYSTEM
(6-SPEED)



PART NO.	QTY	MODEL/RESTRICTION	MODEL/RESTRICTION	MODEL/RESTRICTION	FROM-TO
17-478A		ARM, SHIFT	RENOI DE CDE		
Y601-17-44Y	1	(ILLUST. NO.1)			
Y602-17-447	1	(ILLUST. NO.2)			
17-460B		LEVER, COUNTER	LEVIER, CONTRE		
Y601-17-446	1				
17-461		LEVER, CONTROL	LEVIER DE CONTROLE		
Y601-17-45X	1				
17-461B		ROD, CONTROL	TIGE DE COMMANDE		
Y601-17-461	1				
17-461C		LEVER, IN. SHIFT	LEVIER INT. DE PASSAGE E VITESSES		
Y601-17-455A	1				
17-462		SHEET, SPRING	SIEGE DE RESSORT		
0398-17-462A	1				-1801
Y601-17-515	1				1801-
17-463B		END, CONTROL	EXTREMITE, COMMANDE		
Y601-17-463	1				
17-465B		SLEEVE, INTERLOCK	MANCHON DE VERROUILLAGE		
Y601-17-465A	1	(ILLUST. NO.1)			
Y602-17-465	1	(ILLUST. NO.2)			
17-474		GASKET, COVER PLATE	JOINT		
0303-17-474	1				
17-475		BOOT, DUST-CHANGE LEV ER	CACHE-POUSSIERE		
M513-17-480A	1				
17-476D		BLOCK, STOPPER	BLOC, ARRETOIR		
Y601-17-476	1	(ILLUST. NO.1)			
Y602-17-476	1	(ILLUST. NO.2)			
17-478A		SHAFT, CRANK LEVER	AXE, LEVIER COUDE		
Y601-17-478	1				

1801 NB35NN-220738

1720AA MANUAL TRANSMISSION CHANGE CONTROL SYSTEM
(6-SPEED)



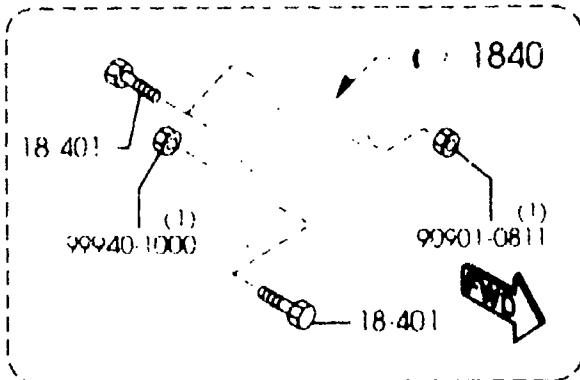
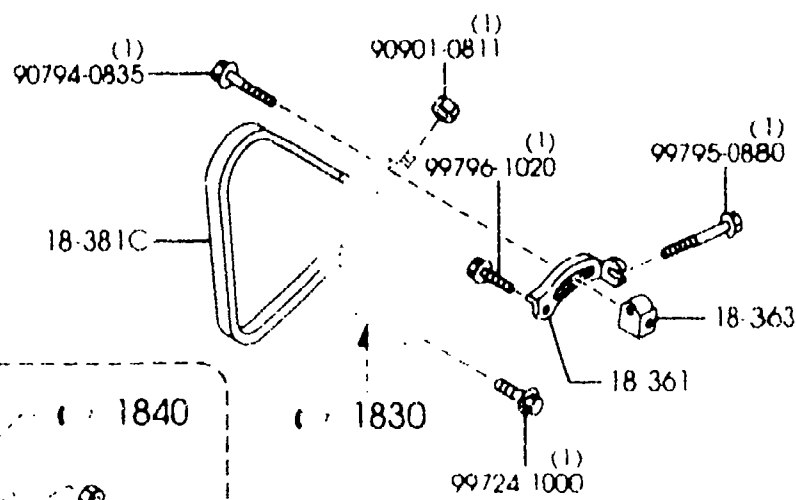
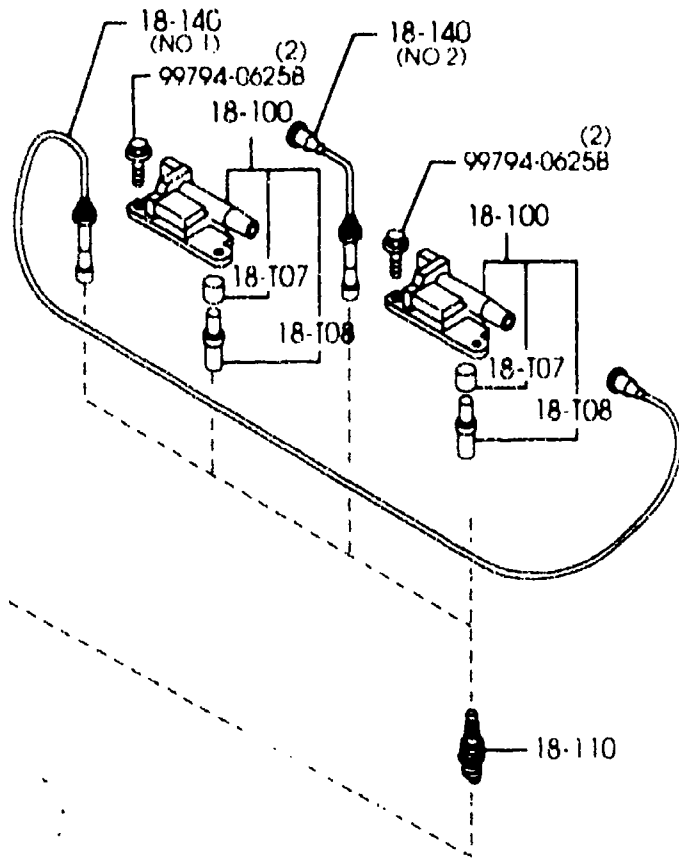
1720AA-3 MANUAL TRANSMISSION CHANGE CONTROL SYSTEM
(6-SPEED)

PART NO	QTY	MODEL/RESTRICTION	MODEL/RESTRICTION	MODEL/RESTRICTION	FROM-TO
17-481A		BUSH, CHANGE	BUSELURE		
R503-17-492	1	(ILLUST. NO. 2)			-1801
R502-17-492	1	(ILLUST. NO. 1)			1801-
Y601-17-492	1	(ILLUST. NO. 1)			
17-482		WASHER, WAVE-CHANGE CONTROL CASE	RONDELLE BOMBEE		
M505-17-482	1	(ILLUST. NO. 1)			
8599-17-482	1	(ILLUST. NO. 2)			
17-501		INSULATOR, CHG LEVER	ISOLANT, LEVIER VITESSE		
M501-17-501	1				
17-510		LEVER, CHANGE	LEVIER DE VITESSES		
Y601-17-510C	1				-1801
Y601-17-510D	1				1801-
17-520		KNOB, CHANGE LEVER	BOULE DE LEVIER DE VITESSE		
Y602-17-520	1	(LEATHER KNOB-HARDI)			
Y603-17-520A	1	(WOOD KNOB)			
Y605-17-520B	1	(LEATHER KNOB-'A TYPE')			
Y609-17-520	1	(LEATHER KNOB-'D TYPE')			
17-551A		CASE, CONTROL	BOITIER, COMMANDE		
Y601-17-470	1				
17-575		BOLT	BOULON		
Y601-17-575	1	(ILLUST. NO. 1)			
Y602-17-575	2	(ILLUST. NO. 2)			
17-635A		FORK, SHIFT-5TH & REVERSE	FOURCHETTE, CHANG. SE & INV		
Y601-17-43Y	1				
19-423		PLUG	BOUCHON		
Y603-17-495	2	(ILLUST. NO. 1)			
Y604-17-495	1	(ILLUST. NO. 2)			

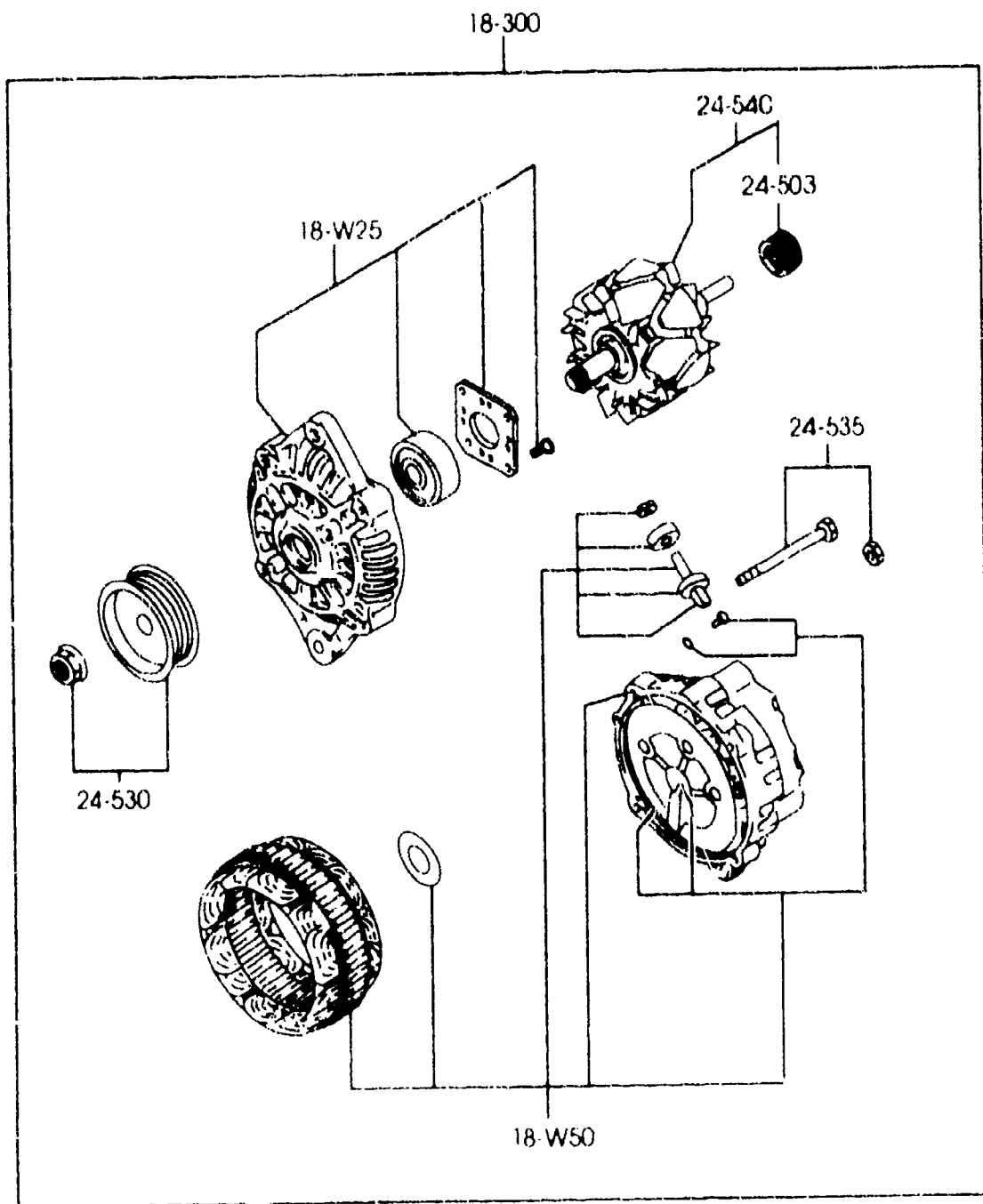
1801 MB35**220738

1800A -1 * ENGINE ELECTRICAL SYSTEM

1800A ENGINE ELECTRICAL SYSTEM

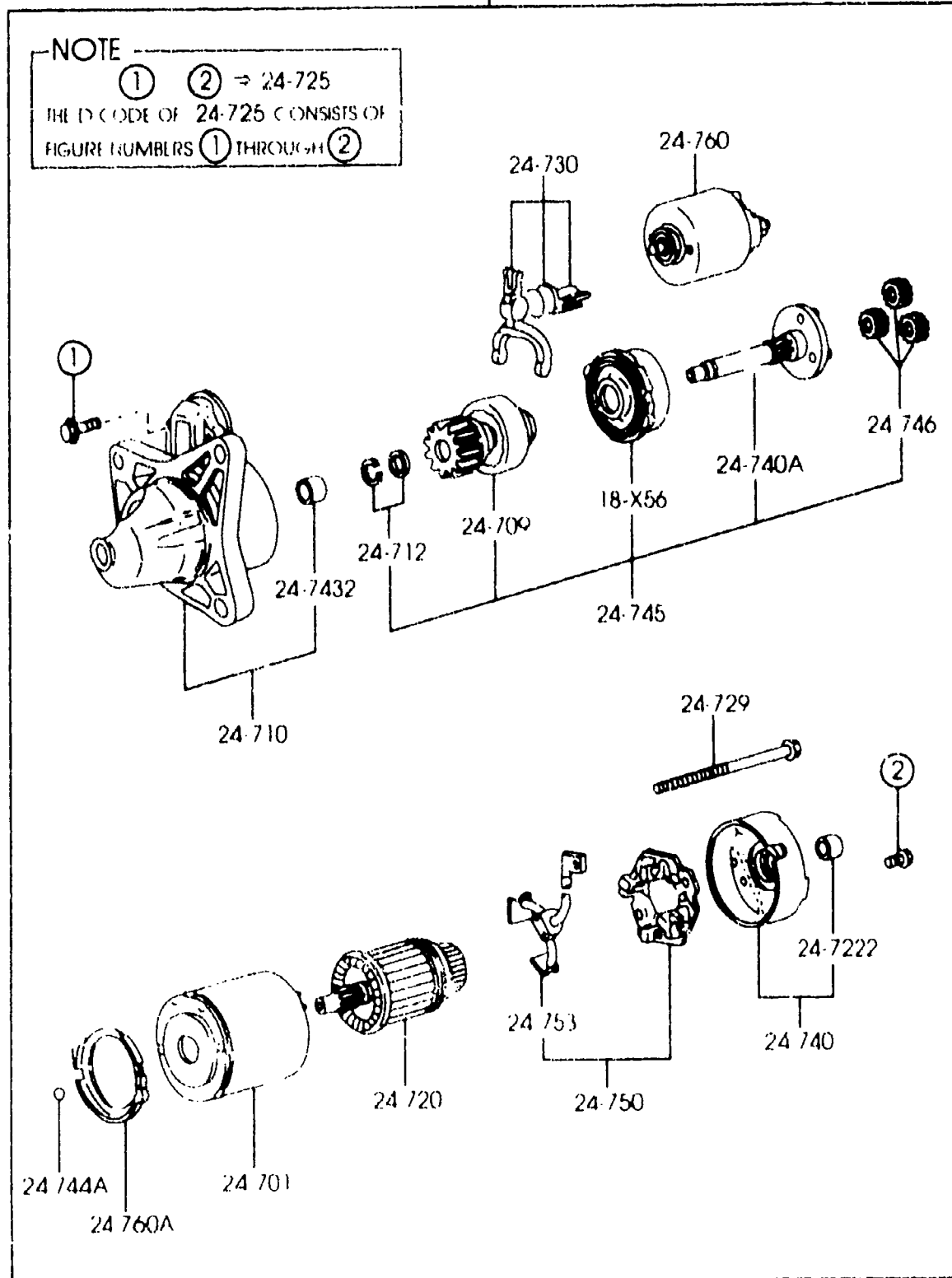


PART NO.	QTY	MODEL/RESTRICTION	MODEL/RESTRICTION	MODEL/RESTRICTION	FROM-TO
18-T07 BP6D-18-T07A	2	WASHER, SPRING-IG. COIL	RONDELLE, RESSORT-B. ALLUM.		
18-T08 BP6D-18-T08A	2	WIRING, SHORT-IG. COIL	CABLAGE, COURT-B. ALLUMAGE		
18-100 BP6D-18-100A	2	COIL, IGNITION	BOBINE D'ALLUMAGE		
18-110 BP01-18-110	4	PLUG, SPARK BKR5E-11 NGK (SUPPLIER IN SELECTION) (STD.)	BOUGIE BKR5E-11 NGK		
18-110 BP02-18-110	4	K16PR-U11 ND (SUPPLIER IN SELECTION) (STD.)	K16PR-U11 ND		
18-140 BP6D-18-140A BP6E-18-140A	1 1	CORD SET, HI. TENSION (ILLUST. NO.1) (ILLUST. NO.2)	FAISCEAU, HAUTE TENSION		
18-361 B68F-18-361C	1	STRAP, ALTERNATOR	ATTACHE ALTERNATEUR		
18-363 FP01-18-363	1	SPACER, STRAP	ENTRETOISE,		
18-381C BP4W-18-381 B68F-18-381	1 1	BELT 'V', W/PUMP&ALTERNATOR 4PK L-885 GATES (SUPPLIER IN SELECTION) 4PK L-885 BANDO (SUPPLIER IN SELECTION)	COURR. TRAP., P. EAU & ALT. 4PK L-885 GATES 4PK L-885 BANDO		
18-401 B68G-18-401A	3	BOLT, STARTER	BOULON DE DEMARREUR		

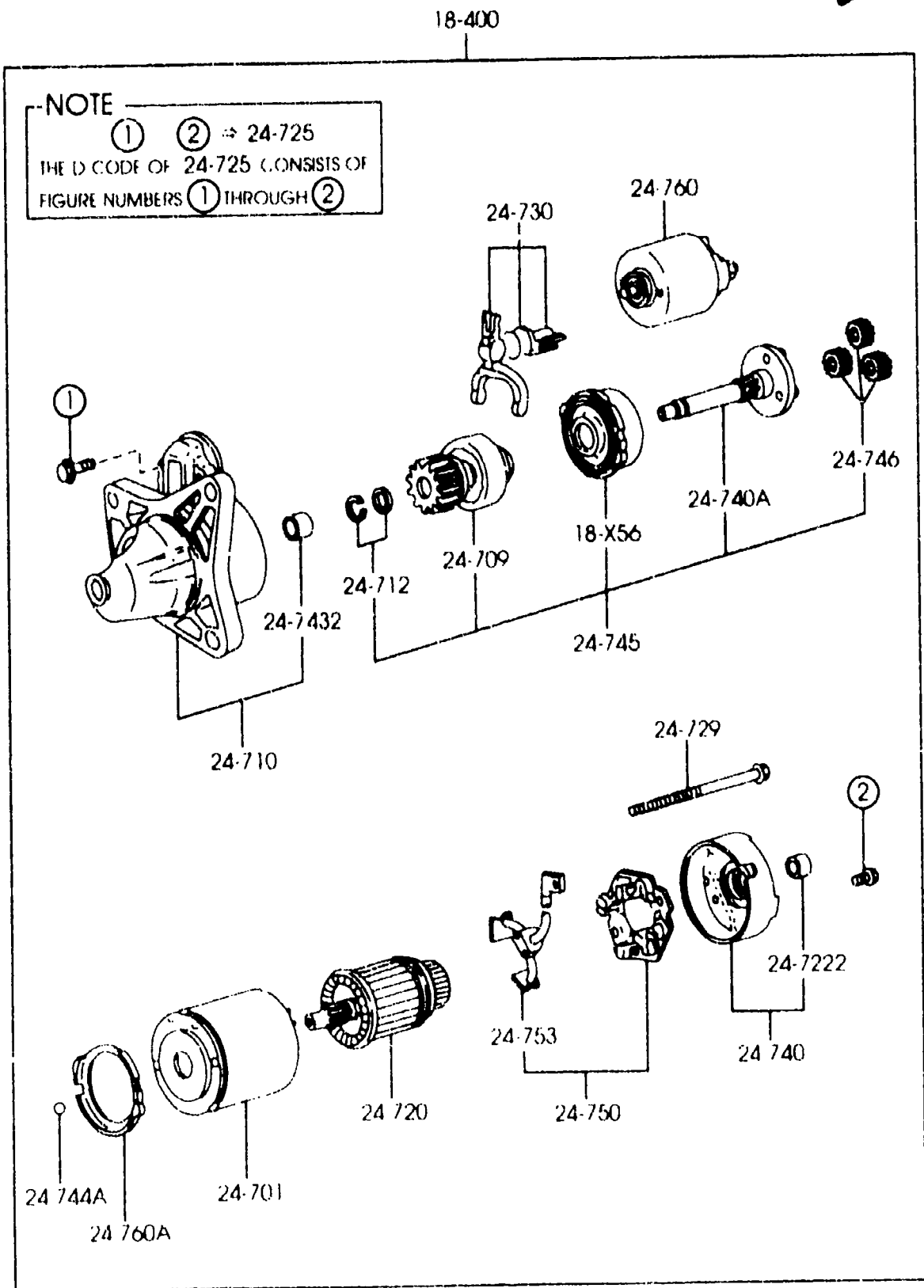


PART NO.	QTY	MODEL/RESTRICTION	MODEL/RESTRICTION	MODEL/RESTRICTION	FROM-TO
18-W25 BP4W-18-W25	1	COVER, FRONT-ALTERNATOR	COUVERCLE, ALTERNATEUR AV.		
18-W50 BP6D-18-W50	1	COVER, REAR-ALTERNATOR	COUVERCLE, AR-ALTERNATEUR		
18-300 BP6D-18-300A	1	ALTERNATOR	ALTERNATEUR		
24-503 B3D1-18-W36	1	BEARING, BALL-ALT. REAR	ROULEMENT A BILLES AR		
24-530 B3D1-18-W10	1	PULLEY	POULIE		
24-535 WL01-18-W20	1	SCREW SET	JEU DE VIS		
24-540 BP6D-18-W35	1	ROTOR	ROTOR		

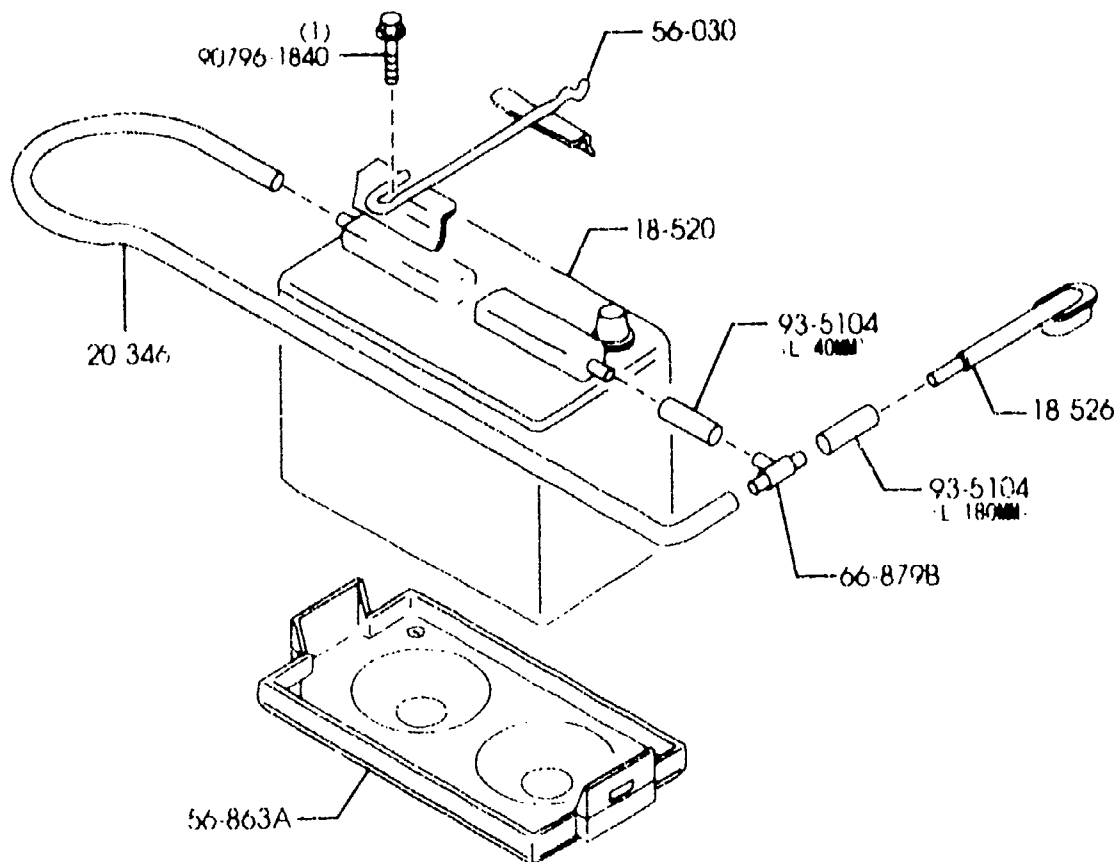




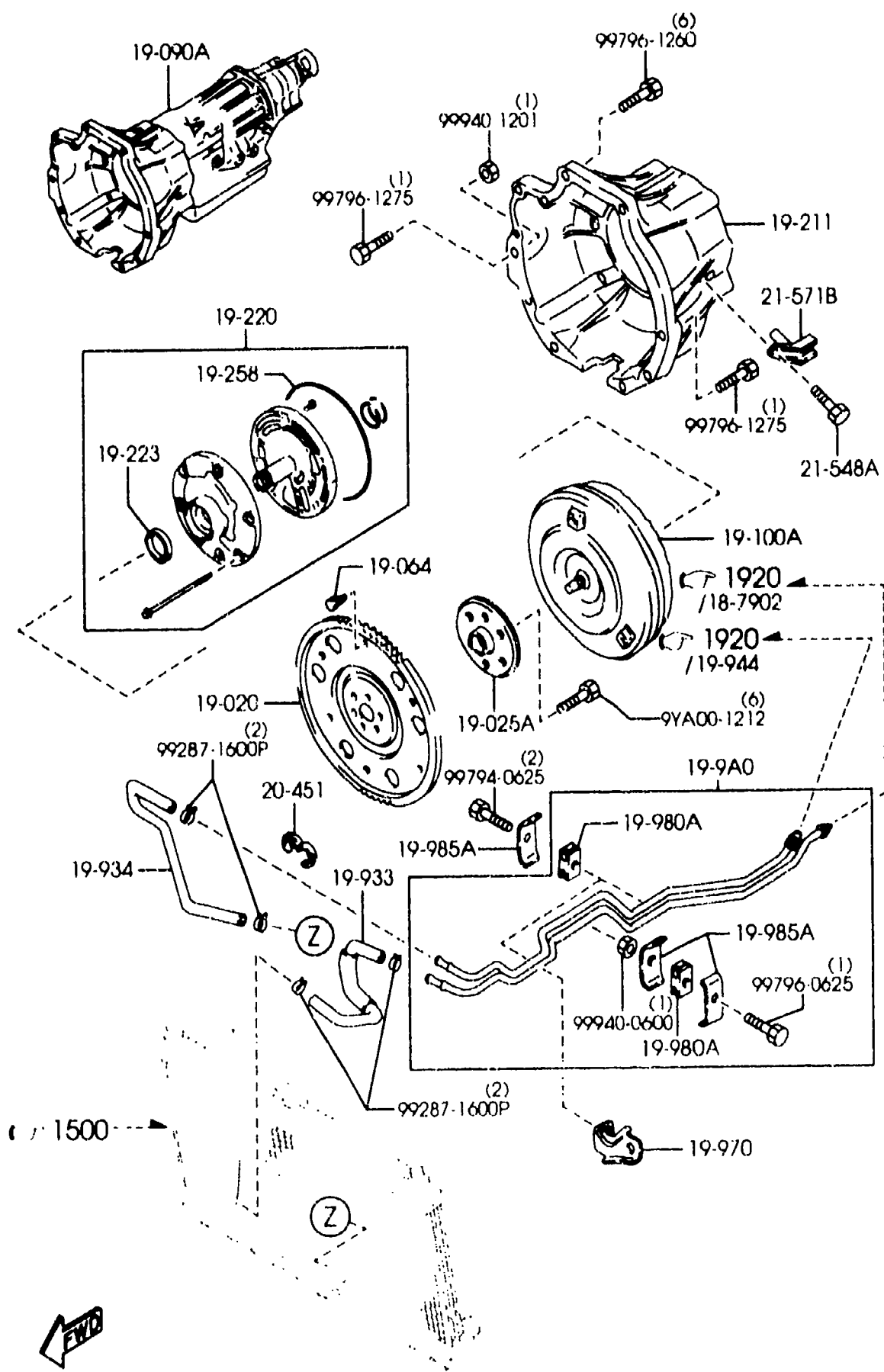
PART NO.	QTY	MODEL/RESTRICTION	MODEL/RESTRICTION	MODEL/RESTRICTION	FROM-TO
18-X56 FP13-18-X56	1	GEAR, INTERNAL-STARTER MITSUBISHI	ENGRENAGE, INTER.-DEM ARREU MITSUBISHI		
18-400 BPD4-18-400A	1	STARTER	DEMARREUR		
24-701 FP13-18-X65	1	YOKE MITSUBISHI	MANCHON MITSUBISHI		
24-709 BPD4-18-X25	1	PINION	PIGNON		
24-710 BPD4-18-X00	1	BRACKET, FRONT	ATTACHE, AV		
24-712 N326-18-X30	1	STOPPER SET MITSUBISHI	ARRETOIR, JEU MITSUBISHI		
24-720 BPD4-18-X60	1	ARMATURE MITSUBISHI	INDUIT MITSUBISHI		
24-7222 N326-18-X62A	1	SLEEVE, BEARING-REAR MITSUBISHI	ROULEMENT MITSUBISHI		
24-725 E356-18-X95	1	SCREW SET MITSUBISHI	JEU DE VIS MITSUBISHI		
24-729 BPD4-18-X90	2	BOLT MITSUBISHI	BOULON MITSUBISHI		
24-730 BPD4-18-X05A	1	LEVER	LEVIER		
24-740 FP13-18-X80	1	BRACKET, REAR MITSUBISHI	ATTACHE, AR MITSUBISHI		



PART NO.	QTY	MODEL/RESTRICTION	MODEL/RESTRICTION	MODEL/RESTRICTION	FROM-TO
24-740A BPD4-18-X40	1	SHAFT MITSUBISHI	ARBRE MITSUBISHI		
24-7432 E356-18-X01	1	SLEEVE, BEARING-FRONT MITSUBISHI	ROULEMENT MITSUBISHI		
24-744A N326-18-X93	1	BALL, STEEL MITSUBISHI	BILLE D'ACIER MITSUBISHI		
24-745 BPD8-18-X20A	1	SHAFT, CLUTCH	ARBRE MOTEUR		
24-746 N326-18-X57	3	GEAR MITSUBISHI	PIGNON MITSUBISHI		
24-750 F2D4-18-X70	1	HOLDER, BRUSH	PORTE CHARBON		
24-753 F2D4-18-X66	1	BRUSH, YOKE	BALAIS, CULASSE DEM.		
24-760 BPD4-18-X10	1	SWITCH	COMMUTEUR		
24-760A FP13-18-X07	1	GASKET MITSUBISHI	JOINT MITSUBISHI		

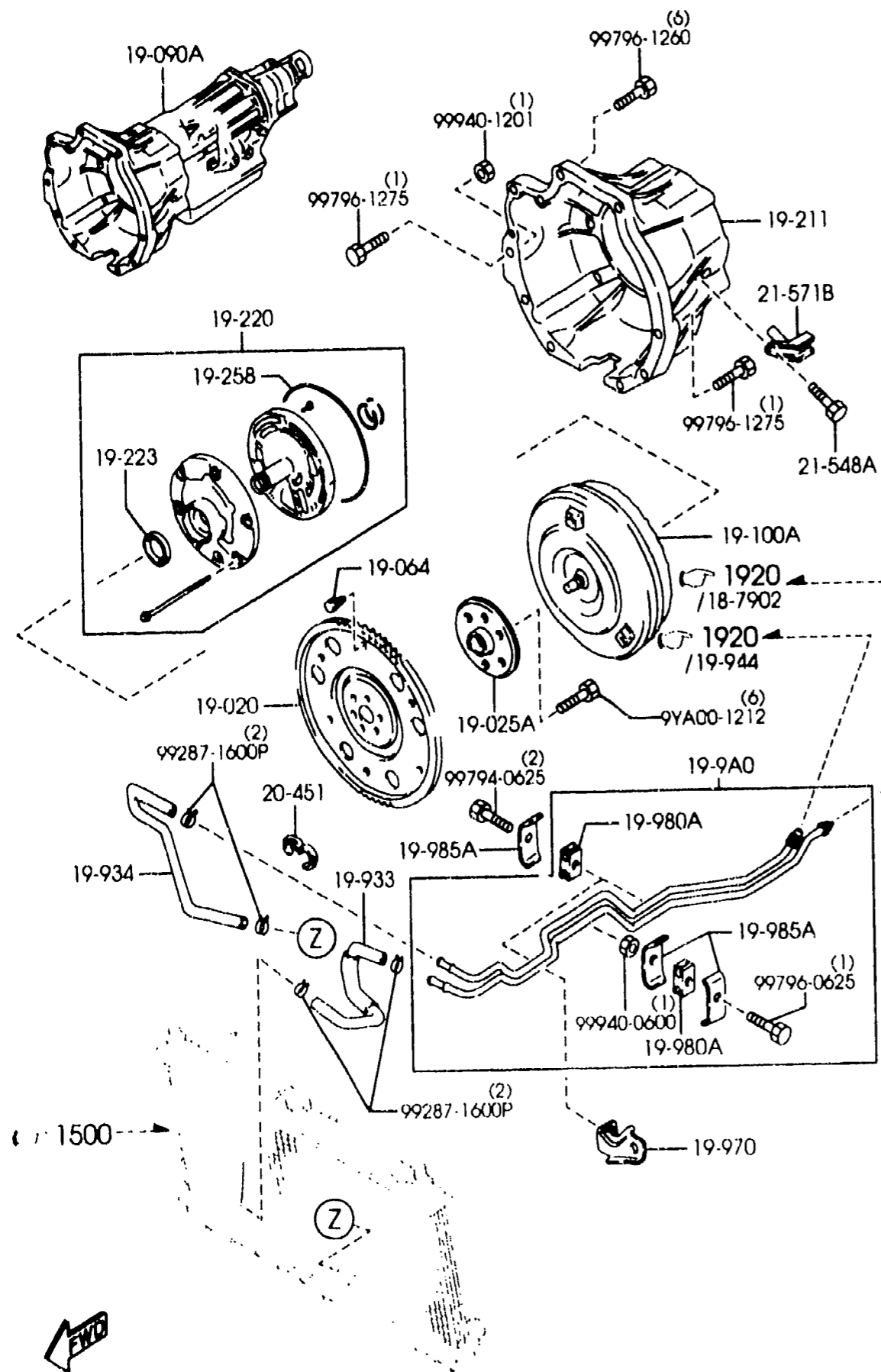


PART NO.	QTY	MODEL/RESTRICTION	MODEL/RESTRICTION	MODEL/RESTRICTION	FROM-TO
18-520 B6AC-18-520	1	BATTERY S46A24L(S) PANASONIC	BATTERIE S46A24L(S) PANASONIC		
18-526 B61P-18-526	1	CONNECTOR, TUBE-BATTERY	CONNECTEUR, TUBE-ACCUMULAT		
20-346 BP4W-18-524	1	TUBE, VACUUM	TUBE, VIDE		
56-030 NC10-56-03XB	1	CLAMP, BATTERY	CORNIERE DE BATTERIE		
56-863A NC10-56-041A	1	TRAY, BATTERY	BAC, SUPPORT BATTERIE		
66-879B 0813-66-879	1	JOINT	RACCORD		
93-5104 99351-04999	1	HOSE L=1M CUT IT TO USE	FLEXIBLE ESSENCE L=1M CUT IT TO USE		



PART NO.	QTY	MODEL/RESTRICTION	MODEL/RESTRICTION	MODEL/RESTRICTION	FROM-TO
19-020		PLATE,DRIVE	DISQUE, BOITE AUTOM.		
SB01-19-020	1				
19-025A		ADAPTER,DRIVE PLATE	ADAPTEUR		
FA01-19-025	1	SUMINO INDUSTRY	SUMINO INDUSTRY		
19-064		BOLT	BOULON		
3649-19-064A	6				
19-090A		T/MISSION CPT.	TRANSMISSION COMPLET		
S310-19-090A	1		E		
19-100A		CONVERTER,TORQUE	COUPLEUR		
SB10-19-100	1				
19-211		HOUSING,CONVERTER	CARTER DE CONVERTISSEUR		
SB01-19-210	1				
19-220		PUMP,OIL	POMPE A HUILE		
SB01-19-700	1				
19-223		SEAL,OIL	ARRET D'HUILE		
BT24-19-223	1				
19-258		SEAL,CUT RING	JOINT		
BT24-19-258	1				
19-9A0		PIPE,OIL-OILPUMP	TUBE,HUILE-POMPE		
SB01-19-9A0B	1				
19-933		HOSE,OIL	FLEXIB.D'HUILE		
SB01-19-933B	1				
19-934		HOSE,OIL	FLEXIB.D'HUILE		
SB01-19-934	1				
19-970		BRACKET	SUPPORT		
BU55-19-970A	1				
19-980A		SUPPORT,OIL PIPE	SUPPORT,CONDUIT HUILE		

1910A AUTOMATIC TRANSMISSION TORQUE CONVERTER,
OIL PUMP & PIPINGS

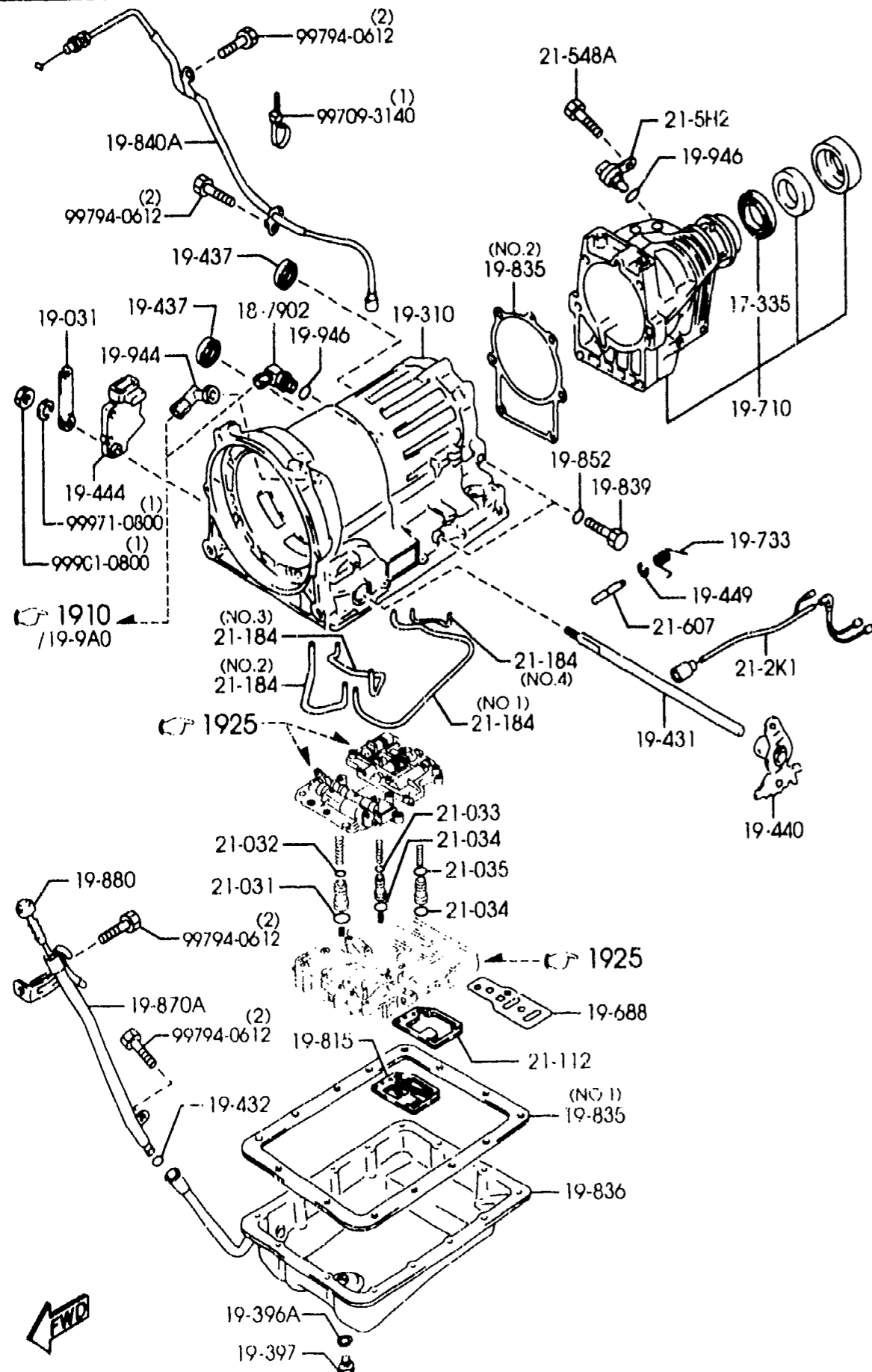


1910A -2 * AUTOMATIC TRANSMISSION TORQUE CONVERTER, OIL PUMP & PIPINGS

PART NO.	QTY	MODEL/RESTRICTION	MODEL/RESTRICTION	MODEL/RESTRICTION	FROM
CONT'D BU29-19-980	3				
19-985A		CLIP,OIL PIPE	COLLIER,CONDUIT HUIL E		
BU29-19-985	4				
20-451		CLIP	ATTACHE		
B612-20-468	1				
21-548A		BOLT	BOULON		
BV88-21-548	1				
21-571B		GENERATOR,SPEED PULS E	SENSOR,TURBINE		
SBC1-21-5H1	1				

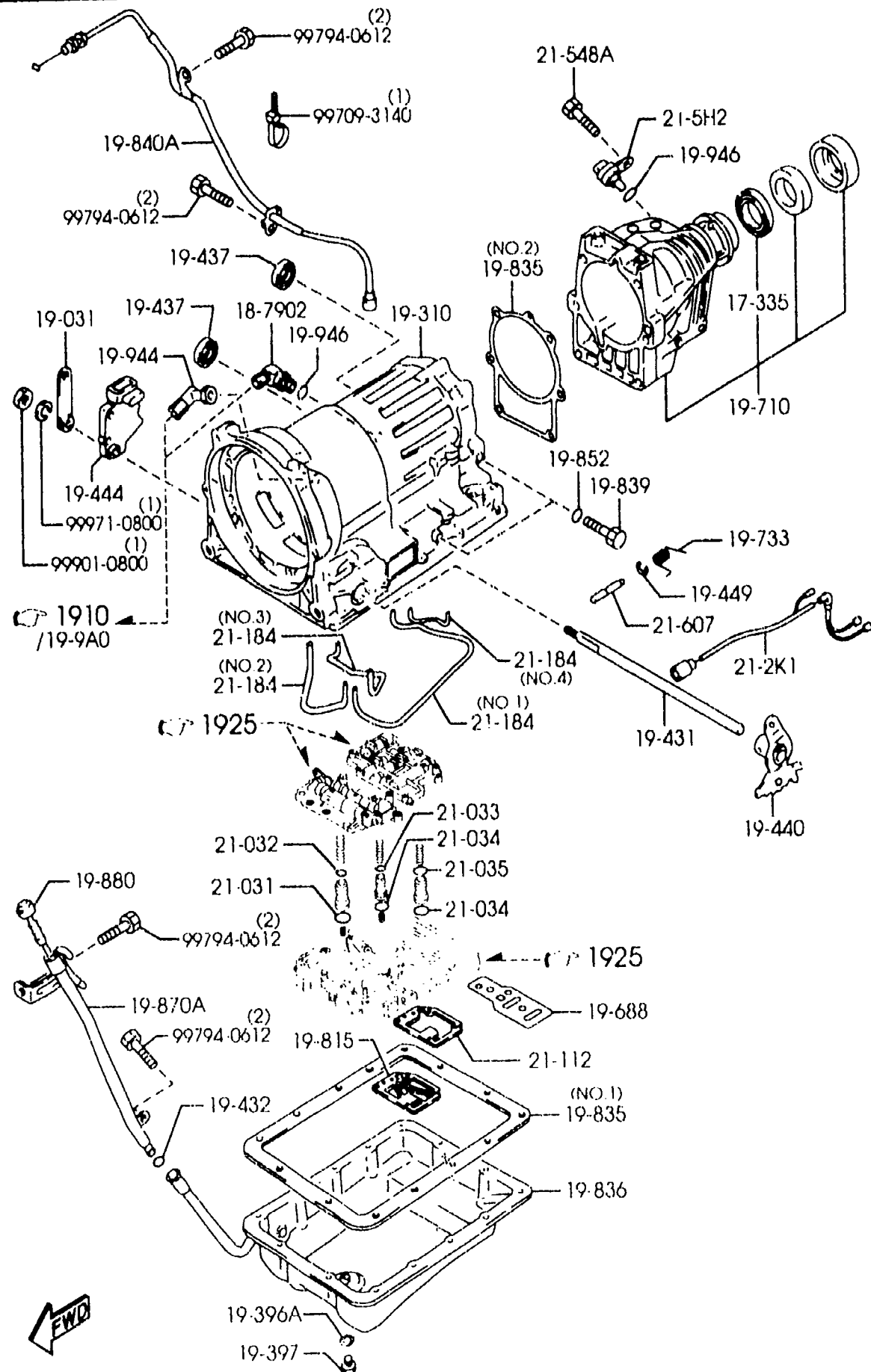
1920A AUTOMATIC TRANSMISSION CASE & MAIN CONTROL SYSTEM

1920A -1 AUTOMATIC TRANSMISSION CASE & MAIN CONTROL SYSTEM



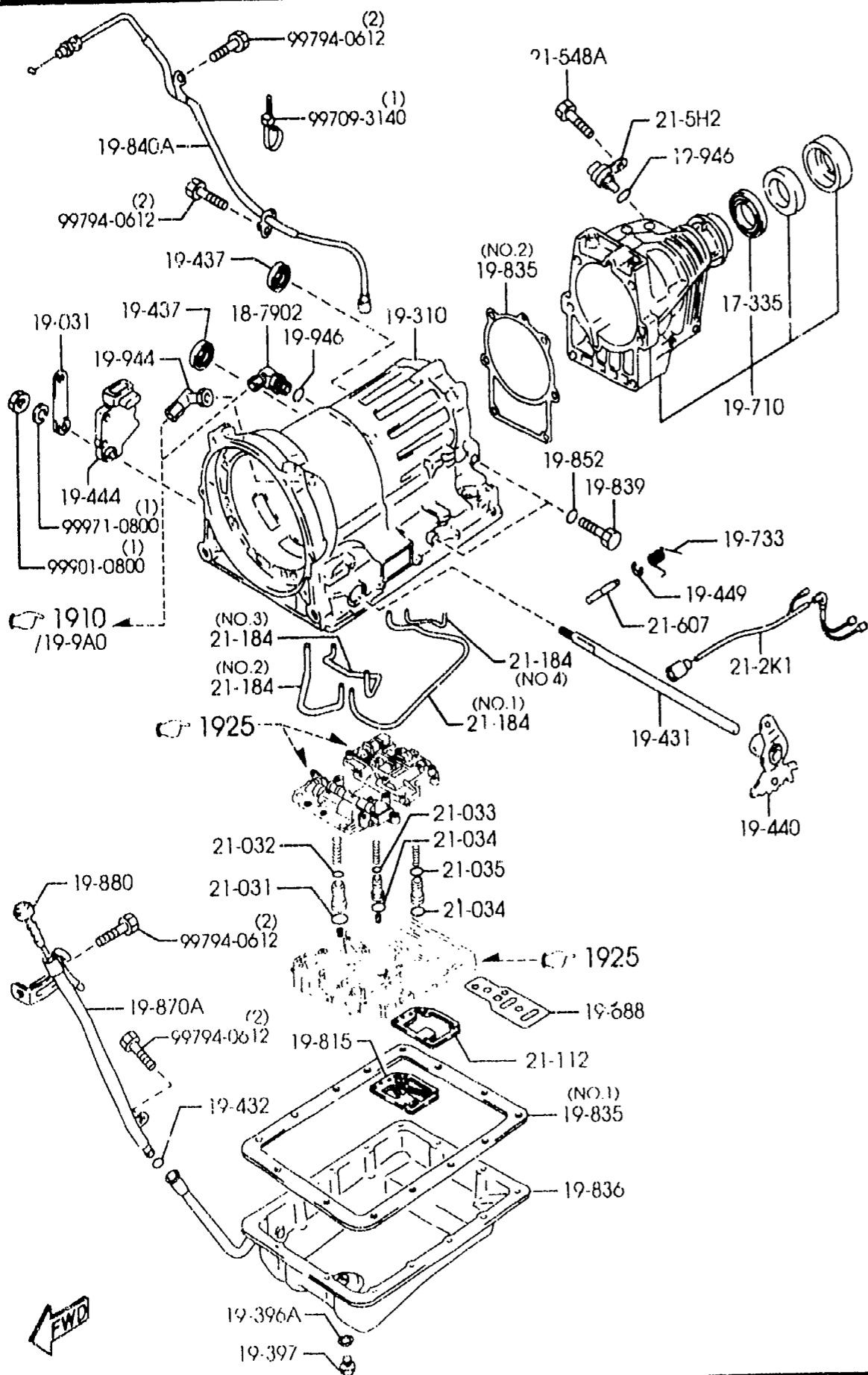
PART NO.	QTY	MODEL/RESTRICTION	MODEL/RESTRICTION	MODEL/RESTRICTION	FROM-TO
17-335		SEAL,OIL	ARRET D'HUILE		
BV8B-17-335	1				
18-7902		CONNECTOR	RACCORD		
BV8B-19-926	1				
19-031		LEVER,SELECT	LEVIER SELECTEUR		
SB01-19-030	1				
19-310		CASE,T/MISSION	BOITIER, TRANSMISSI N		
BV8B-19-310	1				
19-396A		GASKET	JOINT		
BT24-19-859	1				
19-397		BOLT	BOULON		
BT24-19-858	1				
19-431		SHAFT,MANUAL	ARBRE MANUEL		
BT24-19-431	1				
19-432		RING,'O'	JOINT 'O'		
99541-01007	1				
19-437		SEAL,MANUAL SHAFT LE VER	ETANCH LEVIER MAN D' ARBRE		
BT24-19-437	2				
19-440		PLATE,MANUAL	PLAQUE DE COMMANDE T /MISSION		
SB01-19-441	1				
19-444		SWITCH,INHIBITOR	RELAIS		
BV8B-19-444	1				
19-449		RING,SNAP	CALE		
BT24-19-449	1				
19-688		GASKET,GOVERNOR	JOINT,GOUVERNEUR		
SB01-19-688	1				
19-710		HOUSING,EXTENSION	RALLONGE DE BOITE		
SB02-19-710	1				

1920A AUTOMATIC TRANSMISSION CASE & MAIN CONTROL SYSTEM

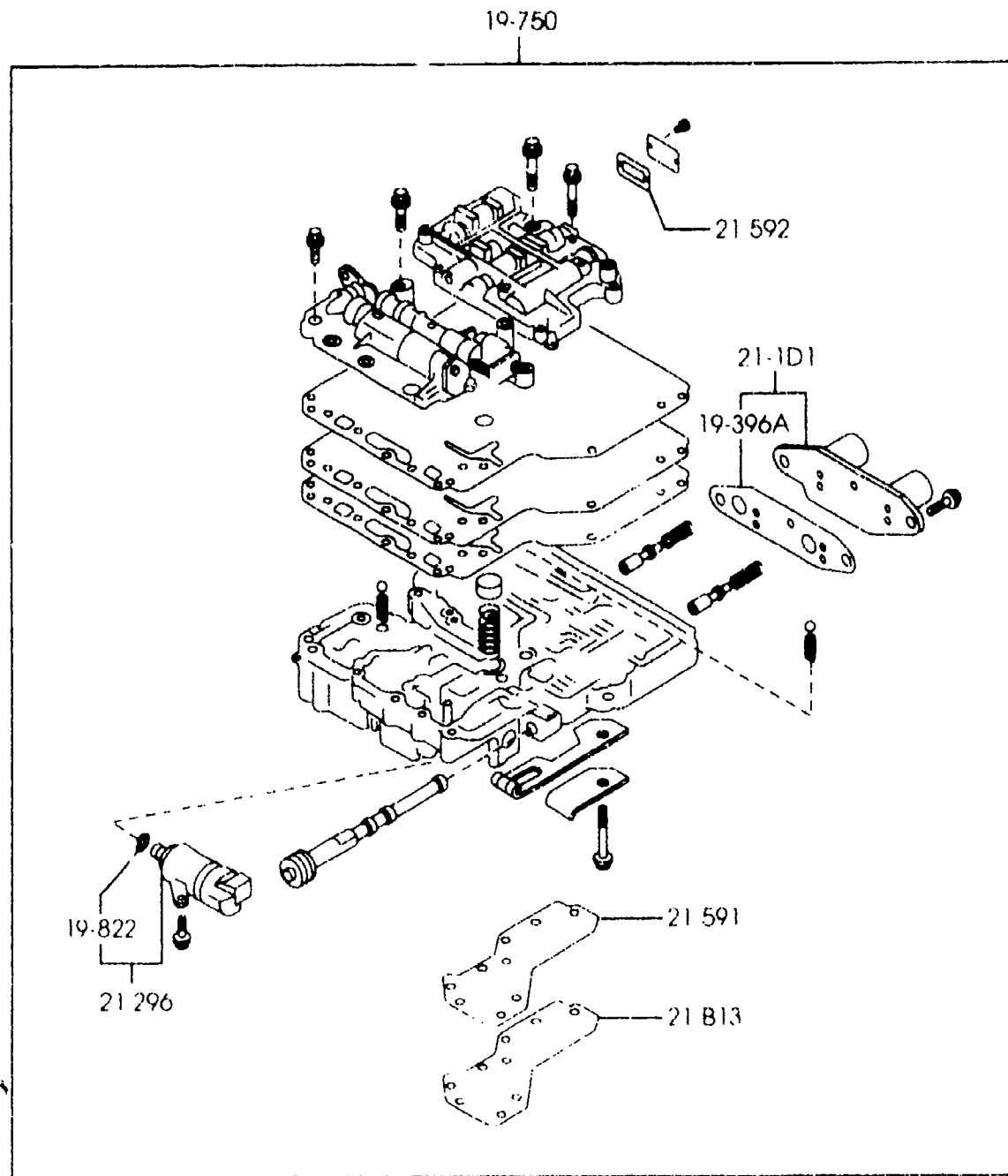


PART NO.	QTY	MODEL/RESTRICTION	MODEL/RESTRICTION	MODEL/RESTRICTION	FROM-TO
19-733	1	SPRING, PAWL RETURN	RESSORT, LINQUET RAP PEL		
BU60-19-733					
19-815	1	STRAINER, OIL	TAMIS D'HUILE		
BV88-19-815					
19-835	1	GASKET, OIL PAN	JOINT, CARTER HUILE		
SB01-19-0A2		(ILLUST. NO.1)			
BT24-19-835		(ILLUST. NO.2)			
19-836	1	PAN, OIL	CARTER D'HUILE		
SB01-19-830					
19-839	2	SCREW, T. MISSION CAS E	VIS, CARTER DE TRANSMIS		
BT24-19-839					
19-840A	1	CABLE, THROTTLE-A/T	CABLE, PAPILLON-A/T		
SB01-21-600					
19-852	2	RING, 'O'-T. MISSION CASE	O-RING, CARTER DE TRANSMIS		
BT24-19-852					
19-870A	1	TUBE, FILLER	TUBE, REMPLISSAGE		
SB01-19-890A					
19-880	1	GAUGE, OIL LEVEL	JAUGE, NIVEAU D'HUILE		
SB01-19-880A					
19-944	1	UNION, OIL PIPE	RACCORD, TUYAU A HUILE		
BV88-19-936					
19-946	2	RING, 'O'	JOINT 'O'		
BT24-19-946					
21-031	1	RING, 'O'-UP. ACCUM 2ND PIS	O-RING, ACCUM/2E PIST INF		
BT24-21-031					
21-032	1	RING, 'O'-UP. ACCUM 2ND PIS	O-RING, ACCUM/2E PIST SUP		
BT24-21-032					

1920A AUTOMATIC TRANSMISSION CASE & MAIN CONTROL SYSTEM

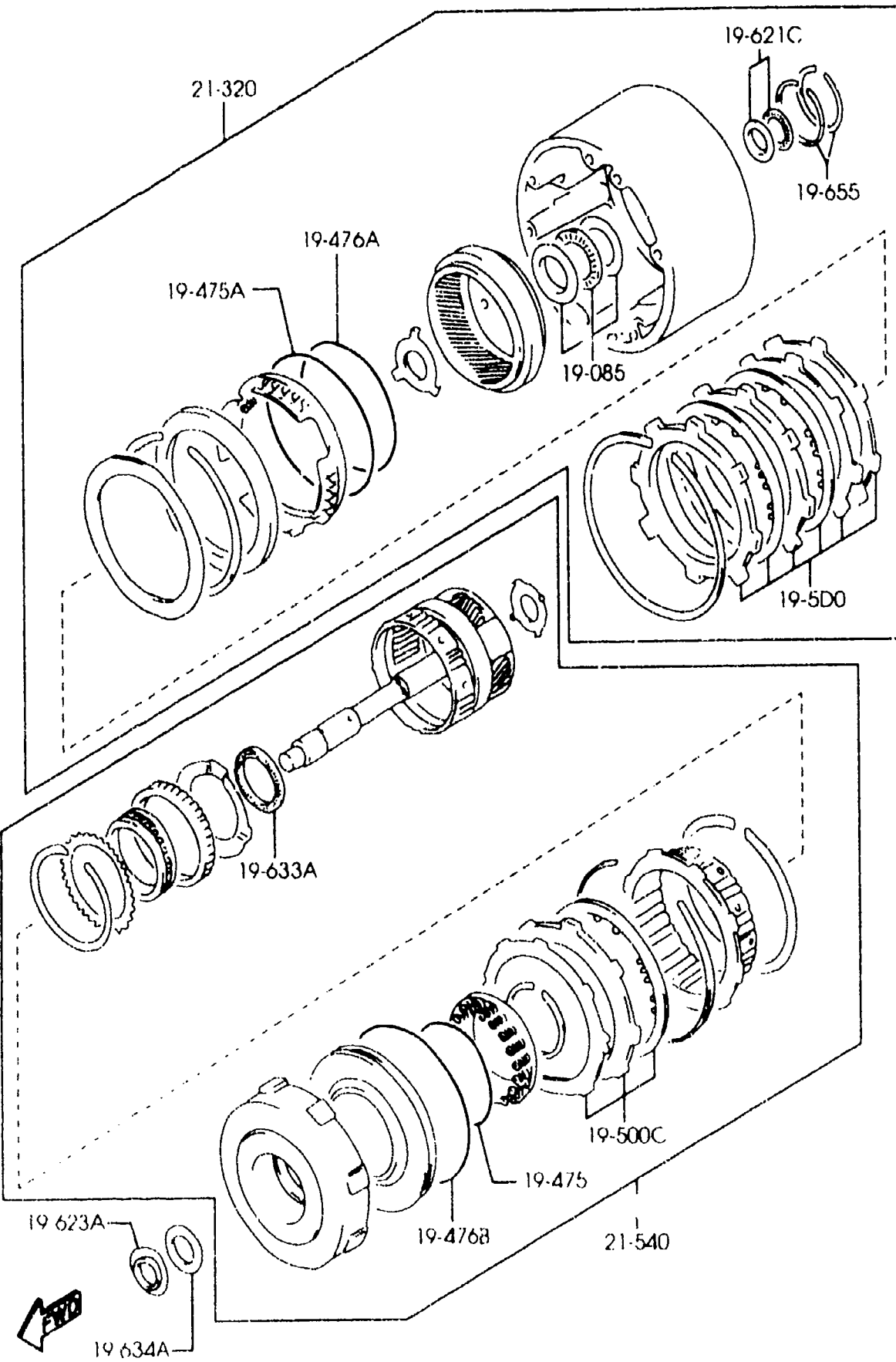


PART NO.	QTY	MODEL/RESTRICTION	MODEL/RESTRICTION	MODEL/RESTRICTION	FROM-TO
BT24-21-033	1	21-033 RING, 'O'-ACCUM. CLUT CH		O-RING, ACCUM/EMBR DI RECTE	
BT24-21-034	2	21-034 RING, 'O'-ACCUM. CLUT CH		O-RING, ACCUM/EMBR DI RECTE	
BT24-21-035	1	21-035 RING, 'O'-ACCUM. FOR. CLUTCH		O-RING, ACCUM/EMBR AV	
BV8B-21-112	1	21-112 GASKET, OIL FILTER		JOINT, FILTRE HUILE	
BV8B-21-181	1	21-184 PIPE, OIL (ILLUST. NO.1)		CONDUIT, HUILE	
BV8C-21-181	1	(ILLUST. NO.2)			
BV8B-21-184	1	(ILLUST. NO.3)			
BV8C-21-184	1	(ILLUST. NO.4)			
BV8B-21-2K1	1	21-2K1 CONNECTOR, SOLENOID VALVE		CONNECT., SOUPAPE SOLENOID	
BV8B-21-5H2	1	21-5H2 SENSOR, REVOLUTION		CAPTEUR, REVOLUTION	
SB01-21-548	1	21-548A BOLT		BOULON	
BU60-21-607	1	21-607 PIN, PARKING PAWL		TOURIL, LOQUET DE PARKING	



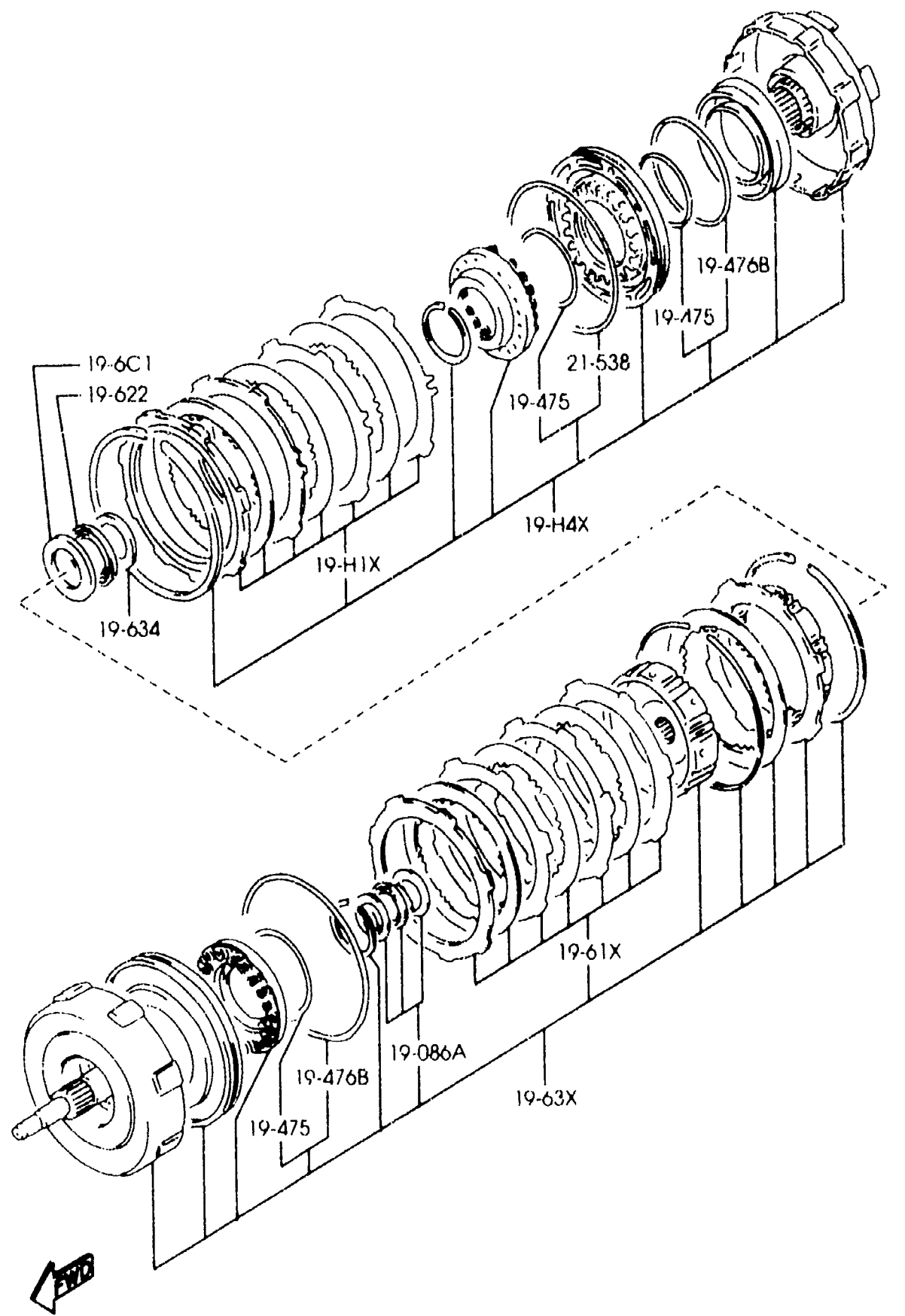
PART NO.	QTY	MODEL/RESTRICTION	MODEL/RESTRICTION	MODEL/RESTRICTION	FROM-TO
19-396A BV88-19-859			JOINT		
19-750 SB10-19-750	1	VALVE, CONTROL	SOUPAPE, CONTROLE		
19-822 BV88-19-822	1	SEAL, 'O'RING	JOINT 'O'		
21-813 SB01-21-806	1	GASKET, PLATE	JOINT, PLAQUE		
21-1D1 SB01-21-1D1	1	SOLENOID	SOLENOIDE		
21-296 SB01-21-3A5	1	SOLENOID, LOCK UP CONTROL	SOLENOID, CLEF CONTROL		
21-591 SB01-21-591	1	GASKET, UPPER-C. V. B	JOINT SUP D'ETAN, ODY		
21-592 SB01-21-592	1	GASKET, LOWER-C. V. B	JOINT INF D'ETAN, ODY		





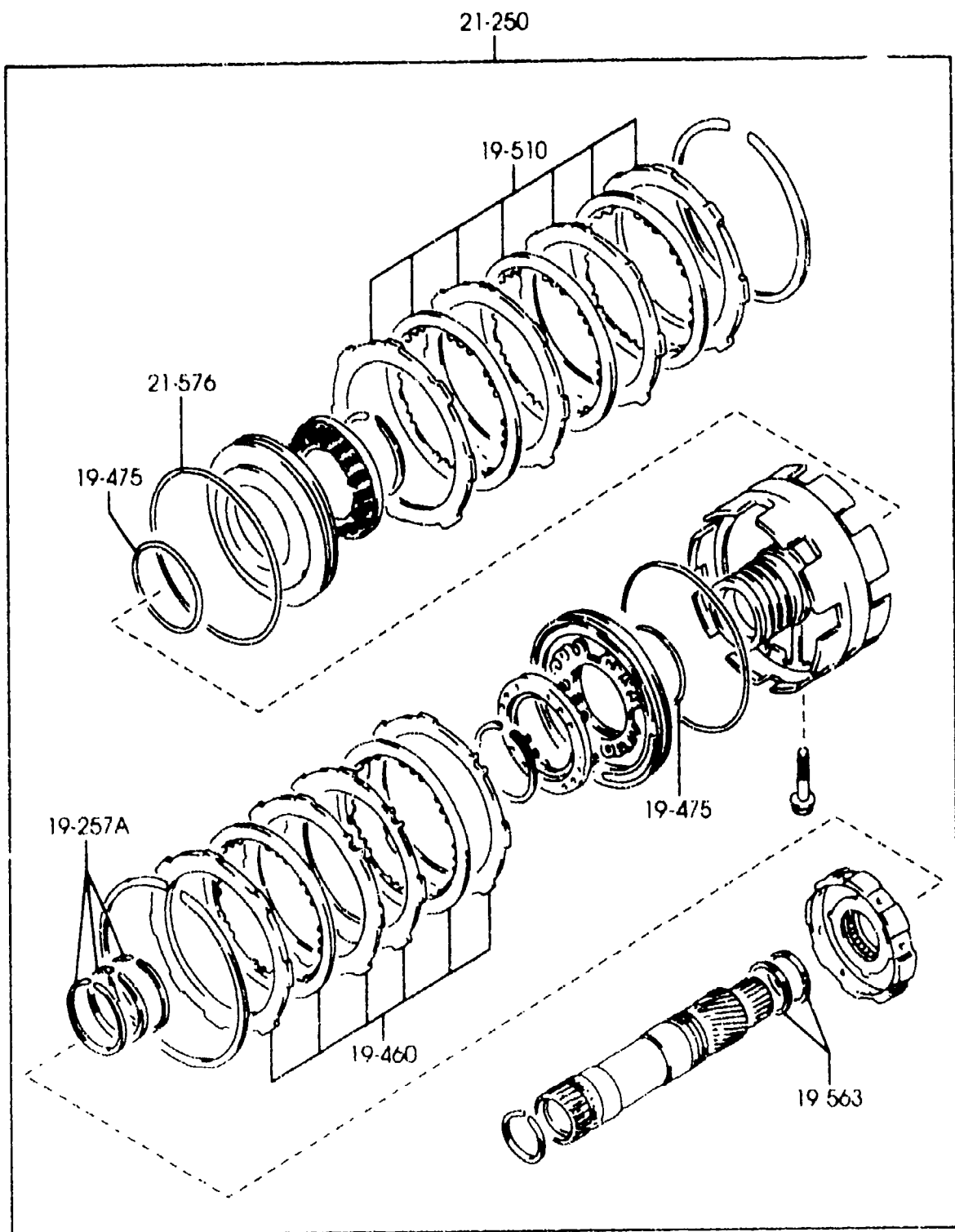
ALNA08

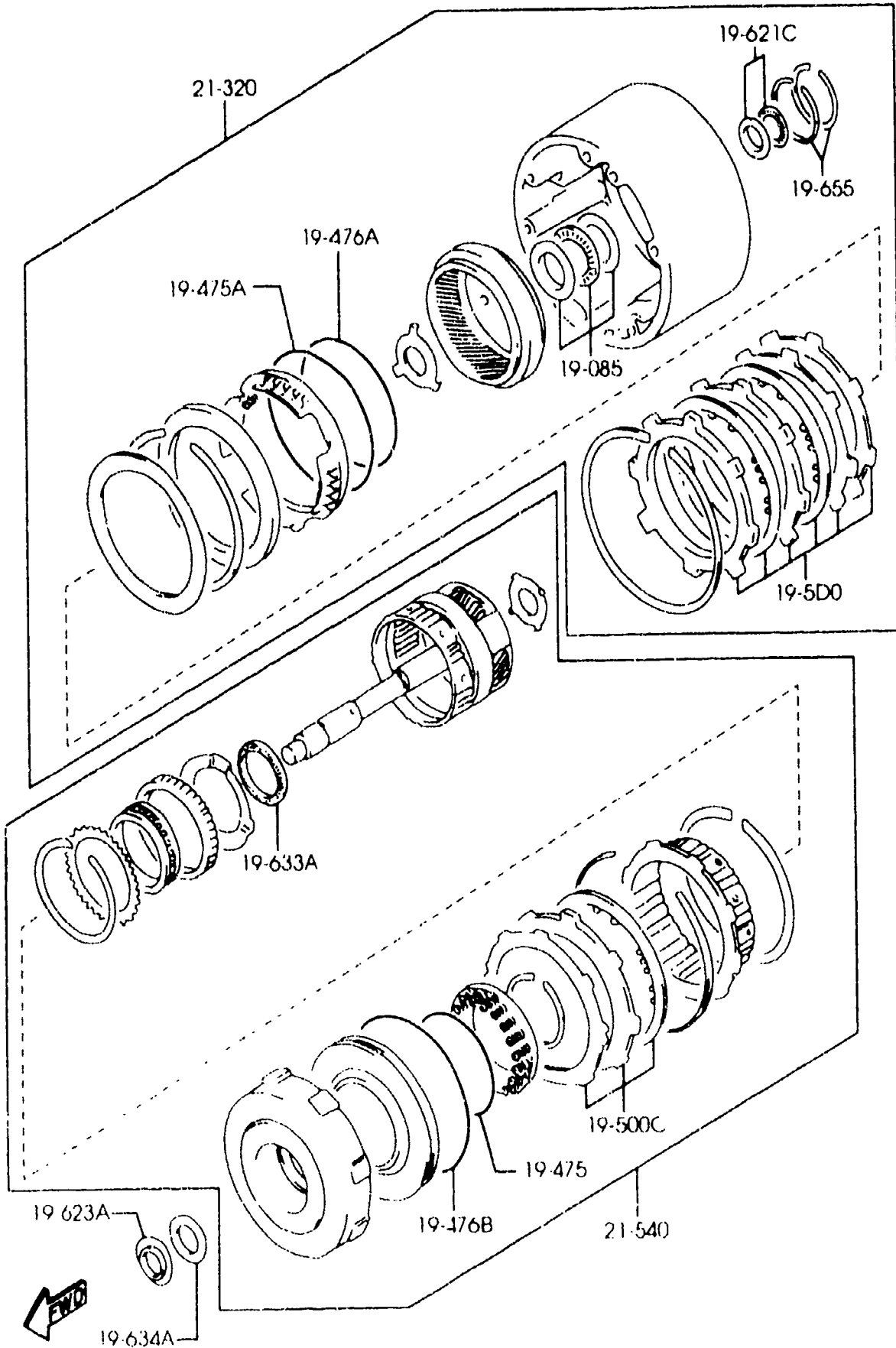
(1N07971)



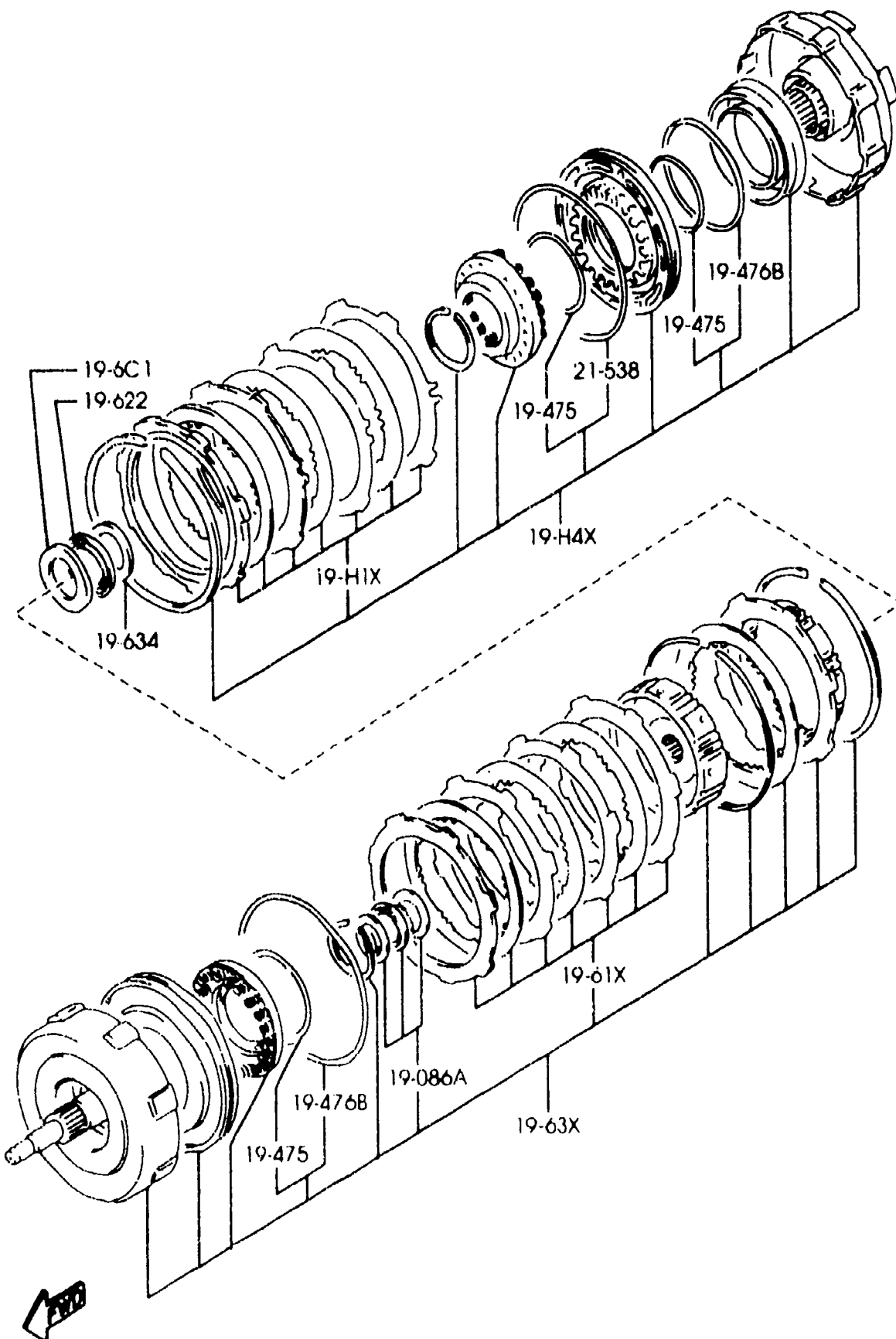
ALNA08

(1N07972)

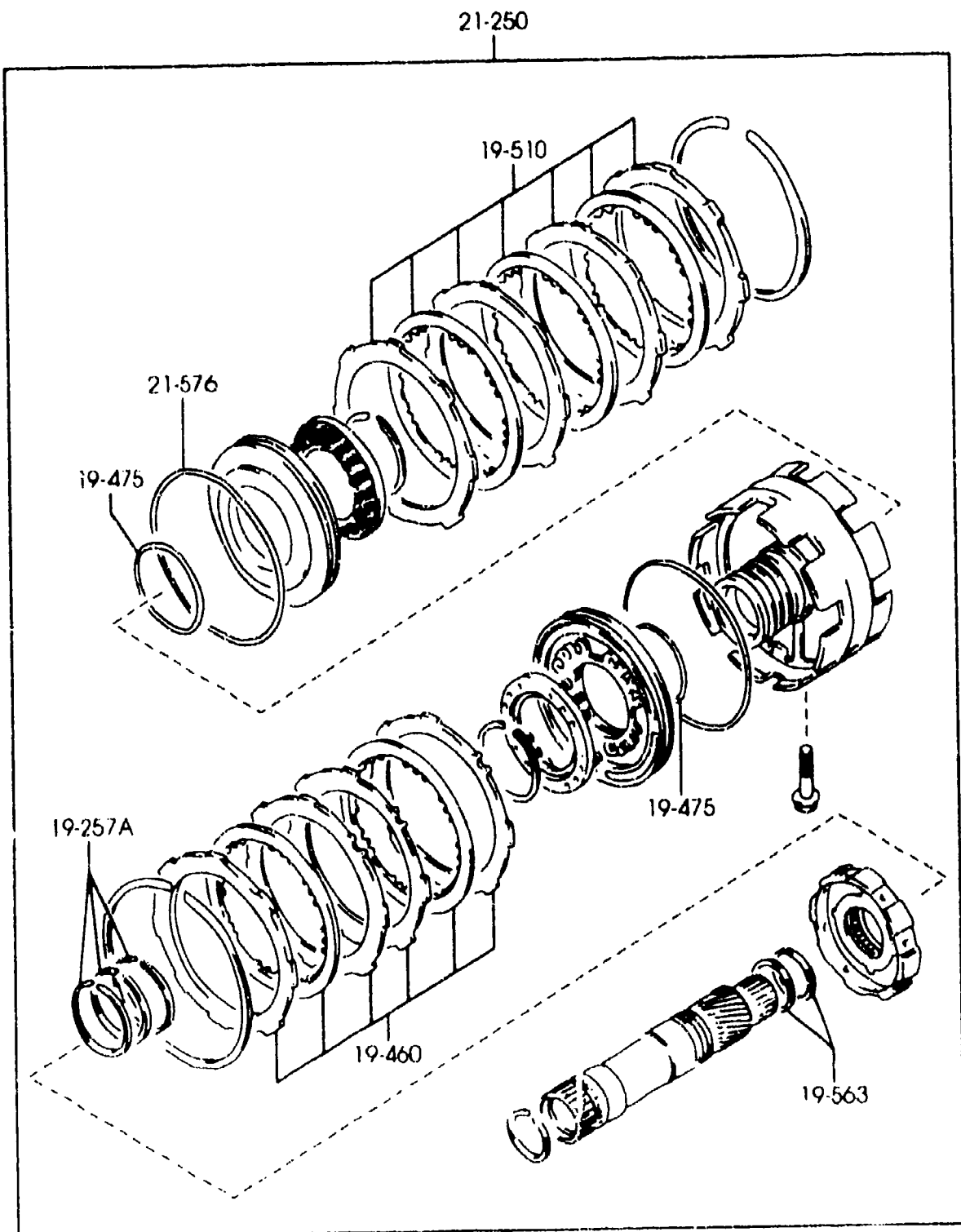




PART NO.	QTY	MODEL/RESTRICTION	MODEL/RESTRICTION	MODEL/RESTRICTION	FROM-TO
19-H1X SB01-19-H1X	1	CLUTCH,PACK DIRECT	EMBRAYAGE,PAQUET DIRECT		
19-H4X SB01-19-H4X	1	CLUTCH,DIRECT	EMBRAYAGE,DIRECT		
19-085 SB01-19-085	1	BEARING	ROULEMENT		
19-086A SB01-19-086	1	BEARING	ROULEMENT		
19-257A BT24-19-257	3	RING,SEAL	BAGUE D'ETANCHEITE		
19-460 SB01-19-460	1	CLUTCH,FRONT	EMBRAYAGE AV. BOITEA UT		
19-475 BT24-19-475	6	SEAL,'O'RING	JOINT 'O'		
19-475A BU60-19-475	1	RING,'O'	JOINT 'O'		
19-476A BU60-19-476	1	RING,'O'	JOINT 'O'		
19-476B BT24-19-476	3	RING,'O'	JOINT 'O'		
19-5D0 SB01-19-5D0	1	CLUTCH,HIGH	EMBRAYAGE,HAUTE		
19-500C SB10-19-500	1	CLUTCH	EMBRAYGE		
19-510 SB01-19-510	1	CLUTCH,REAR	EMBRAYAGE ARR., BOIT E AUT.		
19-563 BT24-19-563	2	RING,SEAL	CERCLE ETANCHE		



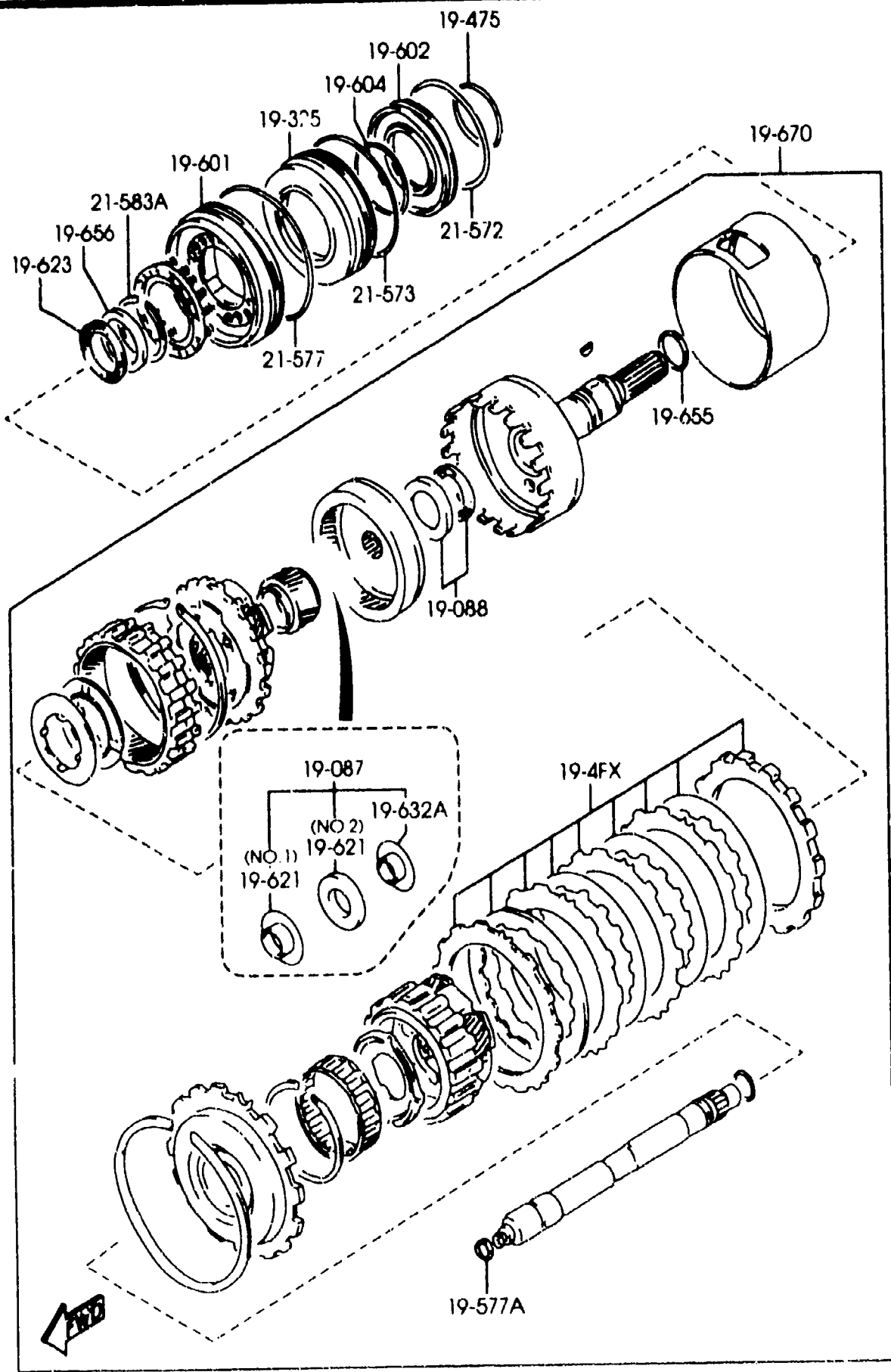
PART NO.	QTY	MODEL/RESTRICTION	MODEL/RESTRICTION	MODEL/RESTRICTION	FROM-TO
19-6C1 SB01-19-6C1	1	RACE, BEARING	GORGE, ROULEMENT		
19-61X SB01-19-61X	1	CLUCH, PACK FORWARD	EMBAYAGE, PAQUET AVANCE		
19-621C SB01-19-621	1	BEARING, THRUST	PALIER, BUTEE		
19-622 BT24-19-622	1	BEARING, NEEDLE	ROULEMENT		
19-623A BU60-19-623	1	BEARING, NEEDLE	ROULEMENT		
19-63X SB01-19-63X	1	CLUTCH, FORWARD	EMBAYAGE, AVANCE		
19-633A BU61-19-633	1	RACE, THRUST BEARING	VOIE, PALIER BUTEE		
19-634 BT24-19-634	1	RACE, BEARING	GORGE, ROULEMENT		
19-634A BU60-19-634	1	RACE, THRUST BEARING	VOIE, PALIER BUTEE		
19-655 SB01-19-655	2	RING, SEAL	CERCLE ETANCHE		
21-250 SB01-21-250A	1	SUPPORT, DRUM	SUPPORT, TAMBOUR		
21-320 SB01-21-31X	1	CASE, OVER DRIVE	BOITIER		
21-538 BT24-21-538	1	RING, 'O'	JOINT 'O'		
21-540 SB10-21-540	1	CARRIER, OVER DRIVE	PORTEUR, D'OVERDRIVE		



PART NO.	QTY	MODEL/RESTRICTION	MODEL/RESTRICTION	MODEL/RESTRICTION	FROM-TO
21-576		RING, '0'	JOINT '0'		
BT24-21-576	1				



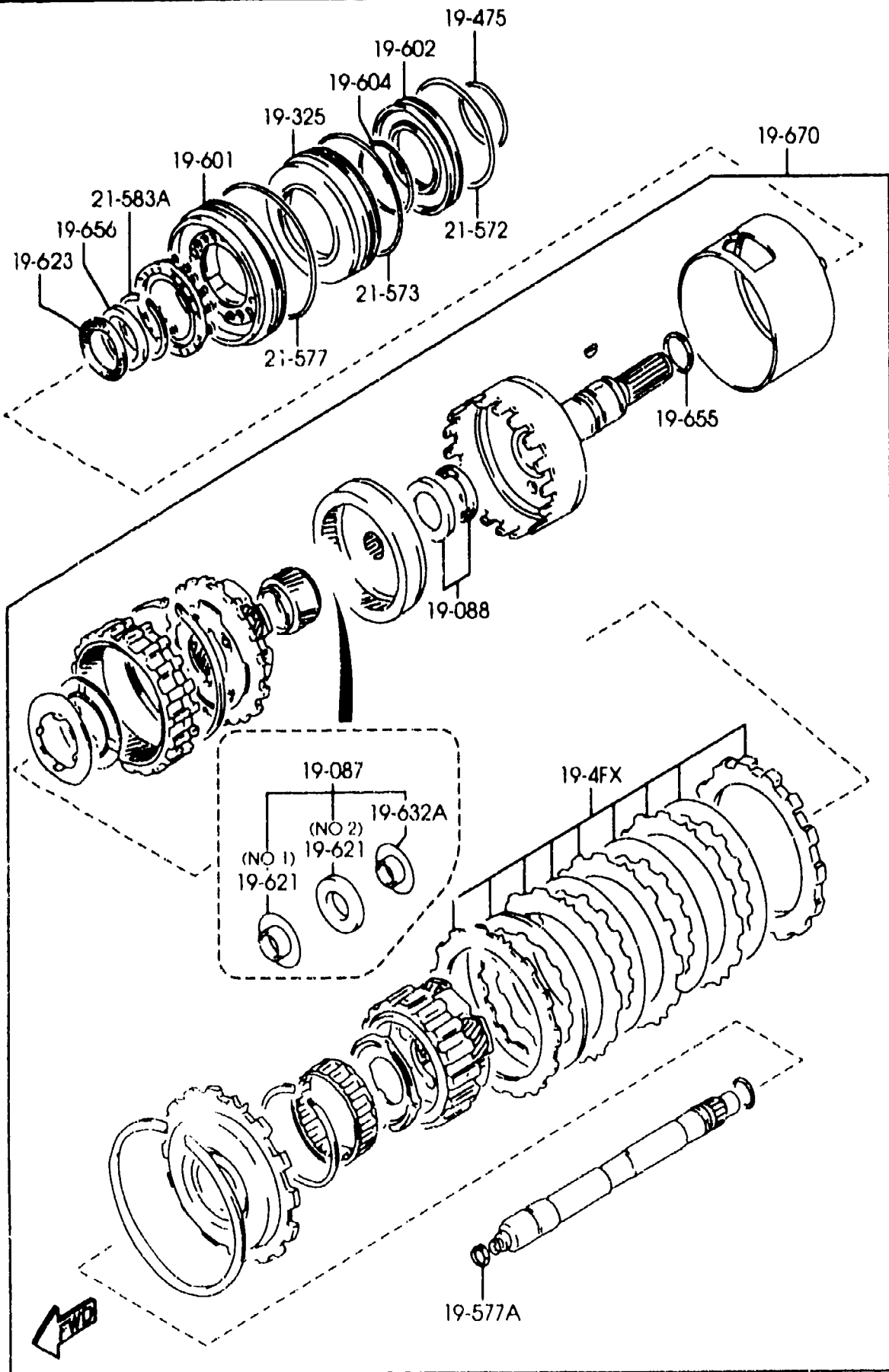
1940A AUTOMATIC TRANSMISSION GOVERNOR, LOW & REVERSE PISTON



1940A -1 AUTOMATIC TRANSMISSION GOVERNOR, LOW & REVERSE PISTON

PART NO.	QTY	MODEL/RESTRICTION	MODEL/RESTRICTION	MODEL/RESTRICTION	FROM-TO
19-087		BEARING	ROULEMENT		
SB01-19-120	1				
19-088		BEARING	ROULEMENT		
SB01-19-088	1				
19-325		SLEEVE, OIL DIST.	MANCHON, DISTRIBUT HUILE		
BT24-19-325	1				
19-4FX		CLUTCH, PACK-LOW & REVERSE	EMB., PAQUET-INF, & I NV.		
SB01-19-4FX	1				
19-475		SEAL, 'O'RING	JOINT 'O'		
BT24-19-475	1				
19-577A		RING, SNAP	BAQUE, RESSORT		
BU60-19-577	1				
19-601		PISTON, LOW & REVERSE	PISTON IERE & MARCHES		
BT24-19-601	1				
19-602		PISTON	PISTON		
BT24-19-602	1				
19-604		SEAL, 'O'RING	JOINT 'O'		
BT24-19-604	1				
19-621		BEARING, NEEDLE	ROULEMENT		
SB02-19-621	1 (ILLUST. NO. 1)				
SB03-19-621	1 (ILLUST. NO. 2)				
19-623		BEARING, NEEDLE	ROULEMENT		
BT24-19-623	1				
19-632A		RACE, BEARING	GORGE, ROULEMENT		
BT24-19-632	1				
19-655		RING, SEAL	CERCLE ETANCHE		
BT24-19-655	2				

1940A AUTOMATIC TRANSMISSION GOVERNOR, LOW & REVERSE PISTON



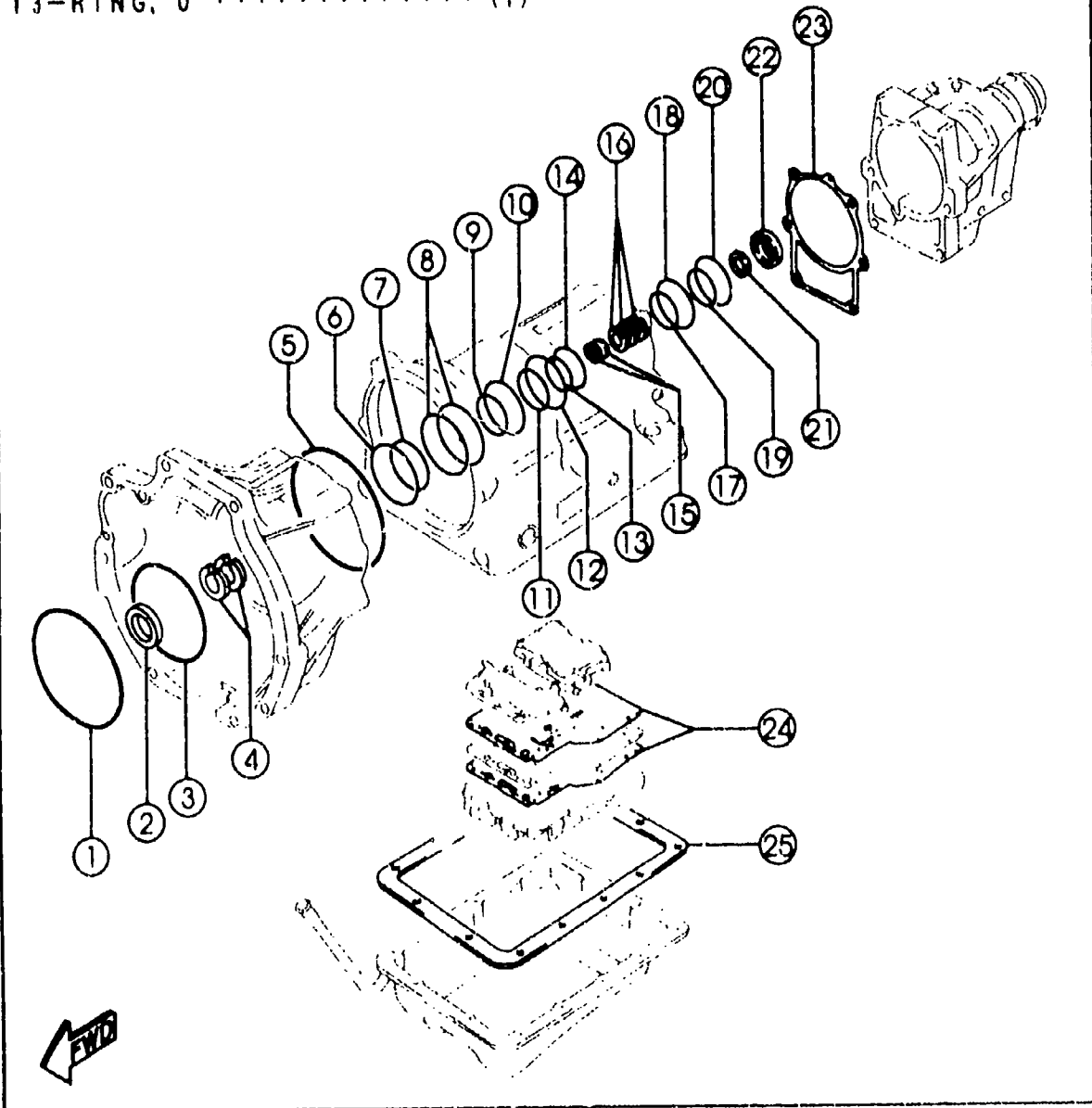
PART NO.	QTY	MODEL/RESTRICTION	MODEL/RESTRICTION	MODEL/RESTRICTION	FROM-TO
19-656 BT24-19-656	1	RACE, BEARING OIL DIS TR	BAGUE DE ROULEMENT		
19-670 SB01-19-670A	1	SHAFT	ARBRE		
21-572 BT24-21-572	1	RING, 'O'	JOINT 'O'		
21-573 BT24-21-573	1	RING, 'O'	JOINT 'O'		
21-577 BT24-21-577	2	RING, 'O'	JOINT 'O'		
21-583A BT24-21-583	1	RING, SNAP	BAGUE, RESSORT		

1960A AUTOMATIC TRANSMISSION GASKET & SEAL KIT

1960A -1 * AUTOMATIC TRANSMISSION GASKET & SEAL KIT

22-900

- 1-RING, 'O' (1)
- 2-SEAL, OIL (1)
- 3-RING, 'O' (1)
- 4-RING, SEAL (2)
- 5-RING, 'O' (1)
- 6-RING, 'O' (1)
- 7-RING, 'O' (1)
- 8-RING, 'O' (2)
- 9-RING, 'O' (1)
- 10-RING, 'O' (1)
- 11-RING, 'O' (1)
- 12-RING, 'O' (1)
- 13-RING, 'O' (1)
- 14-RING, 'O' (1)
- 15-RING, SEAL (2)
- 16-RING, SEAL (3)
- 17-RING, 'O' (1)
- 18-RING, 'O' (1)
- 19-RING, 'O' (1)
- 20-RING, 'O' (1)
- 21-RING, SEAL (1)
- 22-RING, SEAL (1)
- 23-GASKET, OIL PAN (1)
- 24-GASKET (2)
- 25-GASKET, OIL PAN (1)



PART NO.	QTY	MODEL/RESTRICTION	MODEL/RESTRICTION	MODEL/RESTRICTION	FROM-TO
+-----+ 22-900 +-----+ SB01-22-900	1	GASKET & SEAL KIT	POCHETTE, JOINTS		

ENGINE

CHASSIS

ENGINE

CHASSIS

ENGINE

CHASSIS

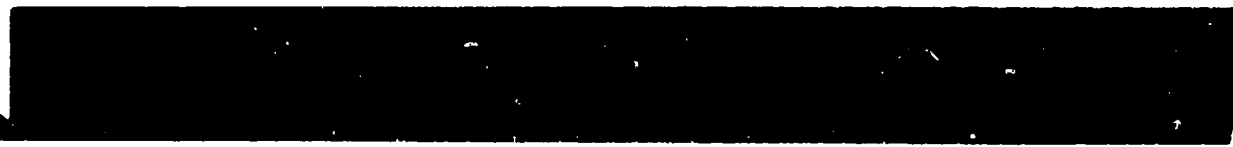
ENGINE

CHASSIS

ENGINE

CHASSIS

ENGINE



CHASSIS

ENGINE

CHASSIS

ENGINE

CHASSIS

ENGINE



CHASSIS

ENGINE



CHASSIS

ENGINE

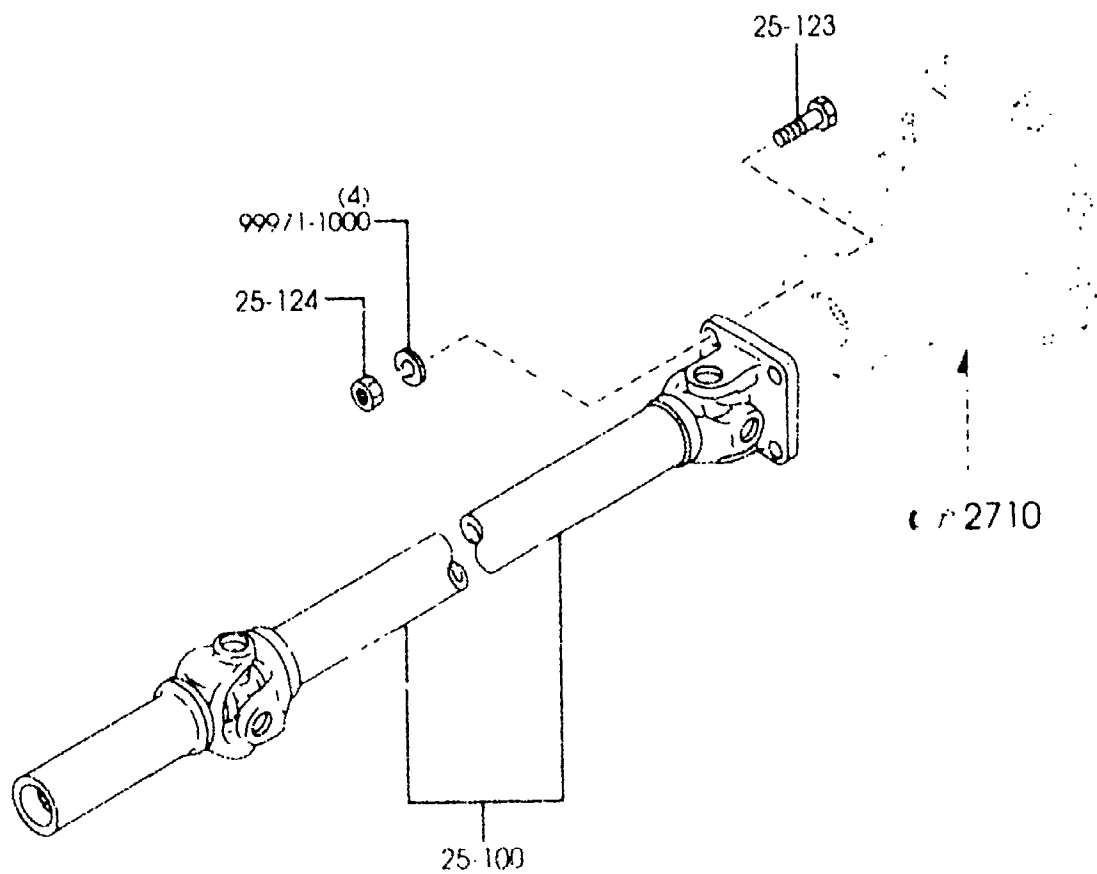
CHASSIS

ENGINE

TRANS

CHASSIS

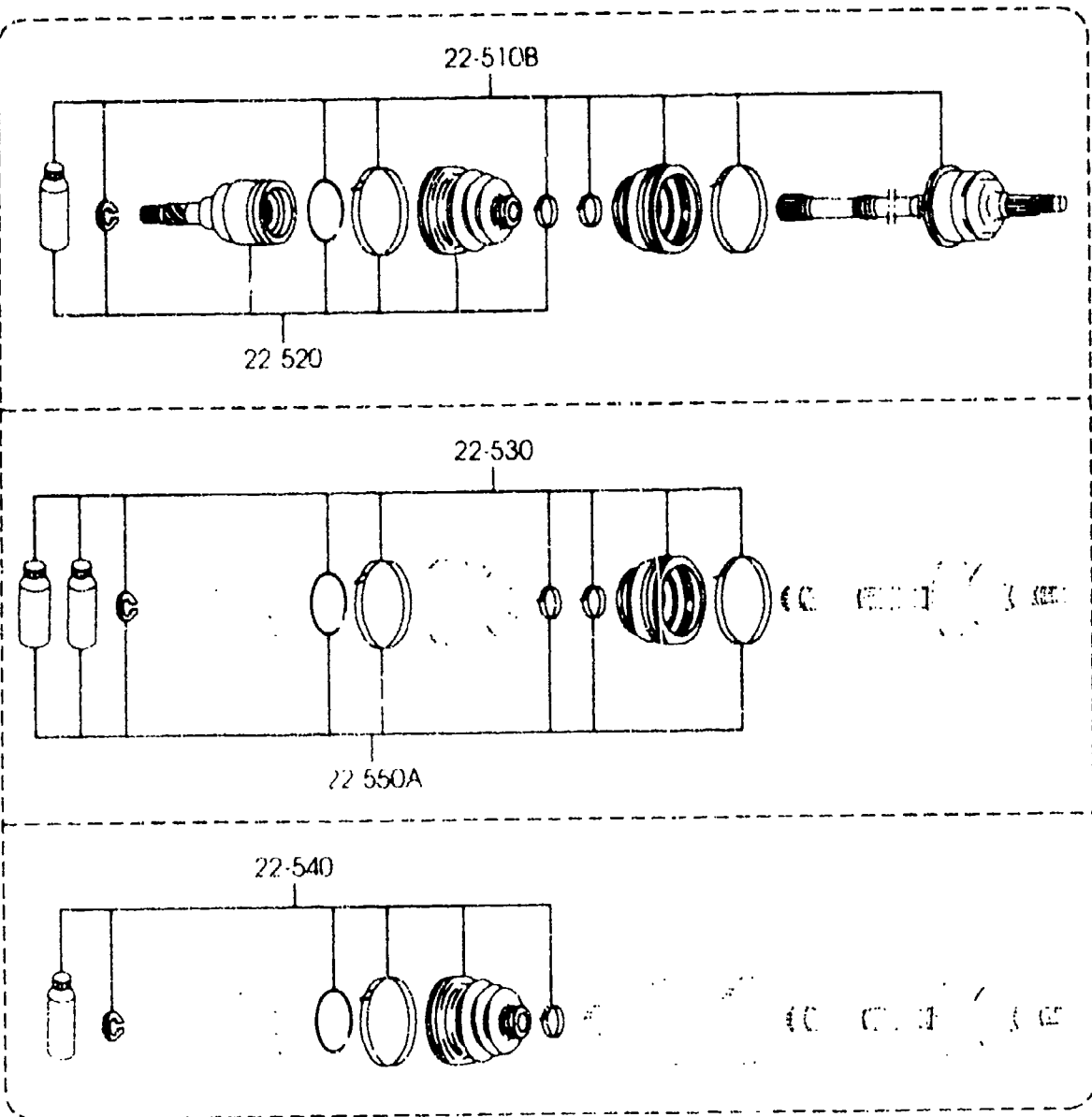
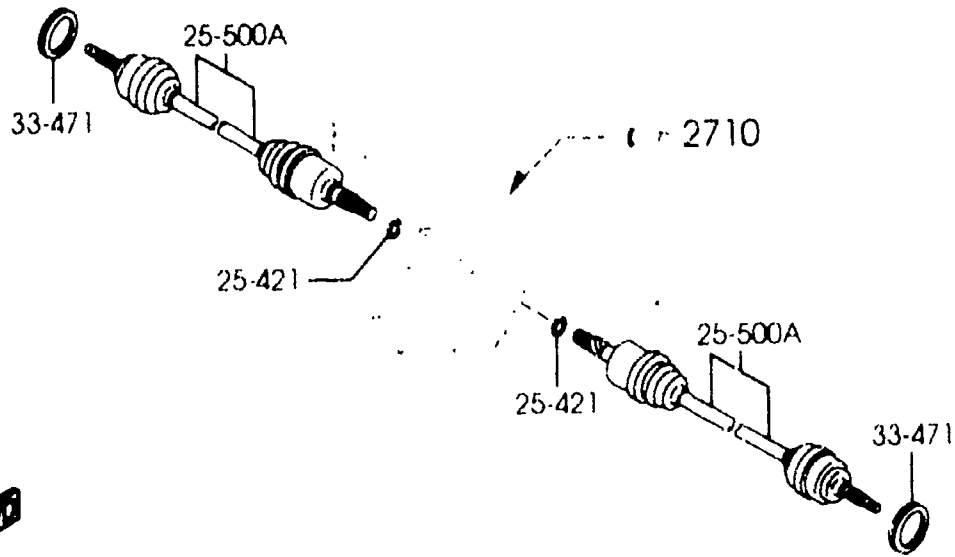
2505A REAR PROPELLER SHAFT



PART NO.	QTY	MODEL/RESTRICTION	MODEL/RESTRICTION	MODEL/RESTRICTION	FROM-TO
25-100		SHAFT, PROPELLER-FRT	ARBRE DE TRANSMISSIO		
MF04-25-100	1	(MT)	N AV		
			(B.V. MANU)		
MF06-25-100	1	(AT)	(B.V. AUTOM)		
25-123		BOLT	BOULON		
P011-25-123	4				
25-124		NUT	ECROU		
1368-25-124	4				



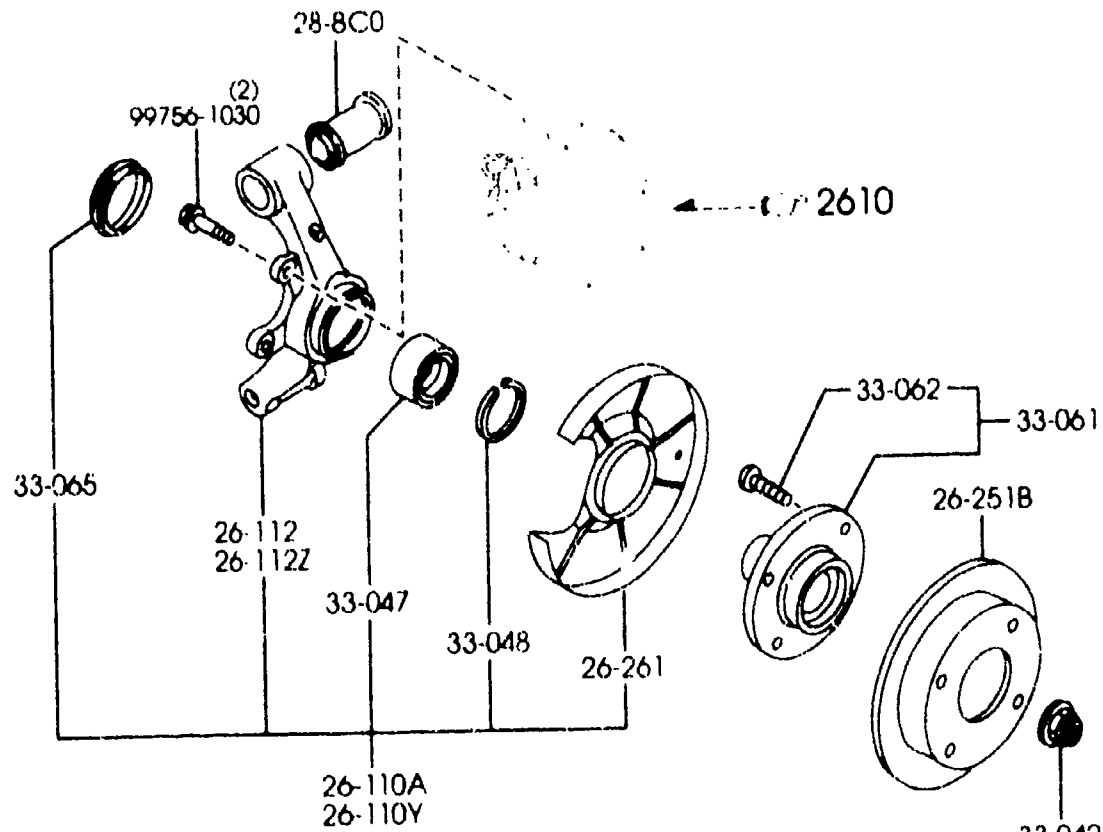
2550A REAR DRIVE SHAFT



PART NO.	QTY	MODEL/RESTRICTION	MODEL/RESTRICTION	MODEL/RESTRICTION	FROM-TO
22-510B MD12-22-510B	2	JOINT SET, OUYER	JEU, JOINT		
22-520 MD02-22-520A	2	JOINT SET, INNER	JEU, PIECES INT.		
22-530 M090-22-530	2	BOOT SET, OUTER JOINT	JEU CACHES		
22-540 M090-22-540	2	BOOT SET, INNER JOINT	JEU CACHES		
22-550A M090-22-550	2	CLIP SET, DRIVE SHAFT	JEU D'ATTACHES		
25-421 0003-25-421	2	CLIP	ATTACHE		
25-500A MD12-25-500B	2	SHAFT(R), DRIVE-RR	ARBRE(D), COMMANDE-AR RIERE		
33-471 BC4C-33-471	2	ROTOR, SENSOR-FRT A. B .S.	ROTOR, SENSOR-AVANT .S.		

2600A REAR AXLE

2600A -1 REAR AXLE

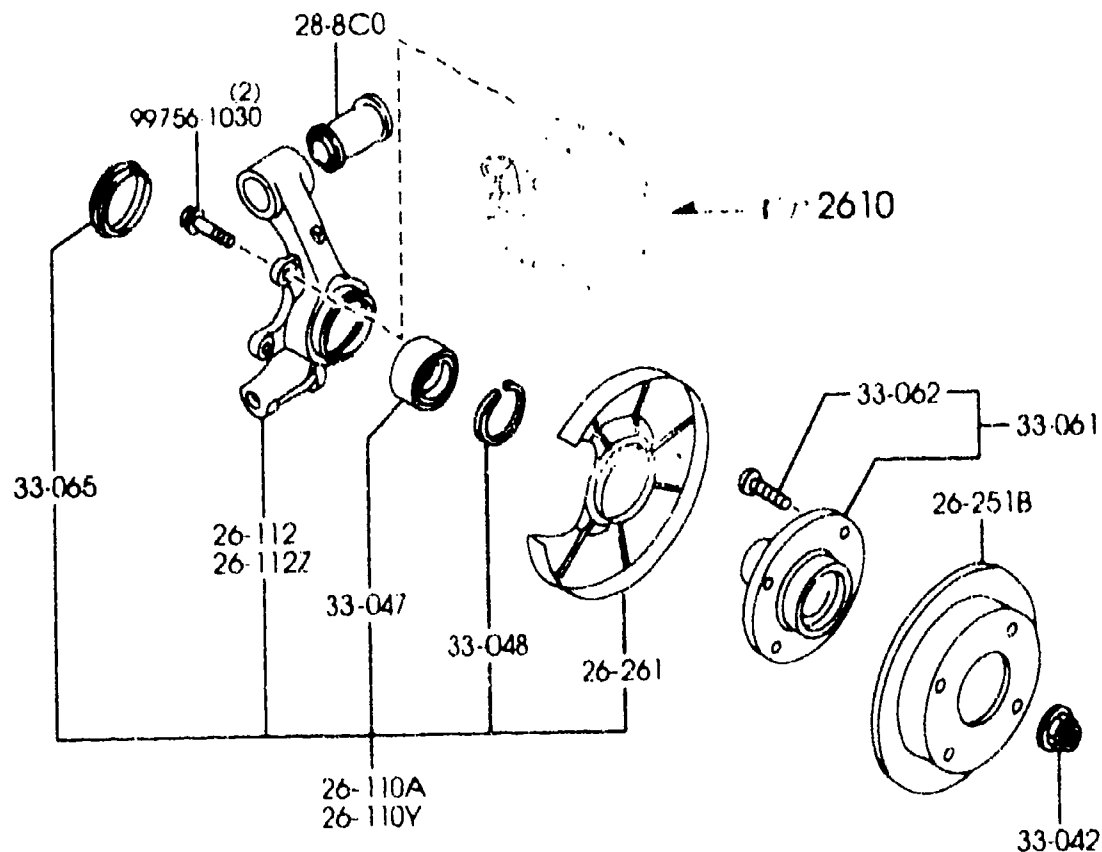


PART NO.	QTY	MODEL/RESTRICTION	MODEL/RESTRICTION	MODEL/RESTRICTION	FROM-TO
26-110A		26-110A			
NC19-26-130	1	KNUCKLE(R), REAR (NOR. SUSP)	ROTULE(D), ARRIERE (SUSP. NRML)		
N067-26-130	1	((HARD SUSP)>(W/O A. LOCK BRAKE)) ((SPORT SUSP)>(W/O A. LOCK BRAKE))	((SUSP. FERM)>(S/SYST ANTIBLOC)) ((SUSP. SPORTIVE)>(S /SYST ANTIBLOC))		
N069-26-130	1	((HARD SUSP)>(W/A. L OCK BRAKE)) ((SPORT SUSP)>(W/A. LOCK BRAKE))	((SUSP. FERM)>(SYST A NTIBLOC)) ((SUSP. SPORTIVE)>(S YST ANTIBLOC))		
26-110Y		26-110Y			
NC10-26-140	1	KNUCKLE(L), REAR (NOR. SUSP)	ROTULE(G), ARRIERE. (SUSP. NRML)		
N067-26-140	1	((HARD SUSP)>(W/O A. LOCK BRAKE)) ((SPORT SUSP)>(W/O A. LOCK BRAKE))	((SUSP. FERM)>(S/SYST ANTIBLOC)) ((SUSP. SPORTIVE)>(S /SYST ANTIBLOC))		
N069-26-140	1	((HARD SUSP)>(W/A. L OCK BRAKE)) ((SPORT SUSP)>(W/A. LOCK BRAKE))	((SUSP. FERM)>(SYST A NTIBLOC)) ((SUSP. SPORTIVE)>(S YST ANTIBLOC))		
26-112		26-112			
NC10-26-112A G (NC10-26-112B)	1	SUPPORT(R), HUB (W/O A. LOCK BRAKE)	MOYEU(D), SUPPORT (S/SYST ANTIBLOC)		-1821
NC14-26-112A G (NC14-26-112B)	1	(W/A. LOCK BRAKE)	(SYST ANTIBLOC)		-1821
NMC10-26-112B	1	(W/O A. LOCK BRAKE)	(S/SYST ANTIBLOC)		1821-
NMC14-26-112B	1	(W/A. LOCK BRAKE)	(SYST ANTIBLOC)		1821-
26-112Z		26-112Z			
NC10-26-122A G (NC10-26-122B)	1	SUPPORT(L), HUB (W/O A. LOCK BRAKE)	MOYEU(G), SUPPORT (S/SYST ANTIBLOC)		-1821
NC14-26-122A G (NC14-26-122B)	1	(W/A. LOCK BRAKE)	(SYST ANTIBLOC)		-1821
NMC10-26-122B	1	(W/O A. LOCK BRAKE)	(S/SYST ANTIBLOC)		1821-
NMC14-26-122B	1	(W/A. LOCK BRAKE)	(SYST ANTIBLOC)		1821-
26-251B		26-251B			
BB4C-26-251C	2	PLATE, DISC (NOR. SUSP)	PLAQUE, DISQUE (SUSP. NRML)		
N06Y-26-251 AN(N06Y-26-251A)	2	NO PAINTING (HARD SUSP) (SPORT SUSP)	NO PAINTING (SUSP. FERM) (SUSP. SPORTIVE)		-0801
N06Y-26-251 AN(N06Y-26-251A)	2	DACROTIZING (HARD SUSP) (SPORT SUSP)	DACROTIZING (SUSP. FERM) (SUSP. SPORTIVE)		-0801

0801 NB35MH-206344
1821 NB35MH-221281

2600A REAR AXLE

2600A -2 * REAR AXLE



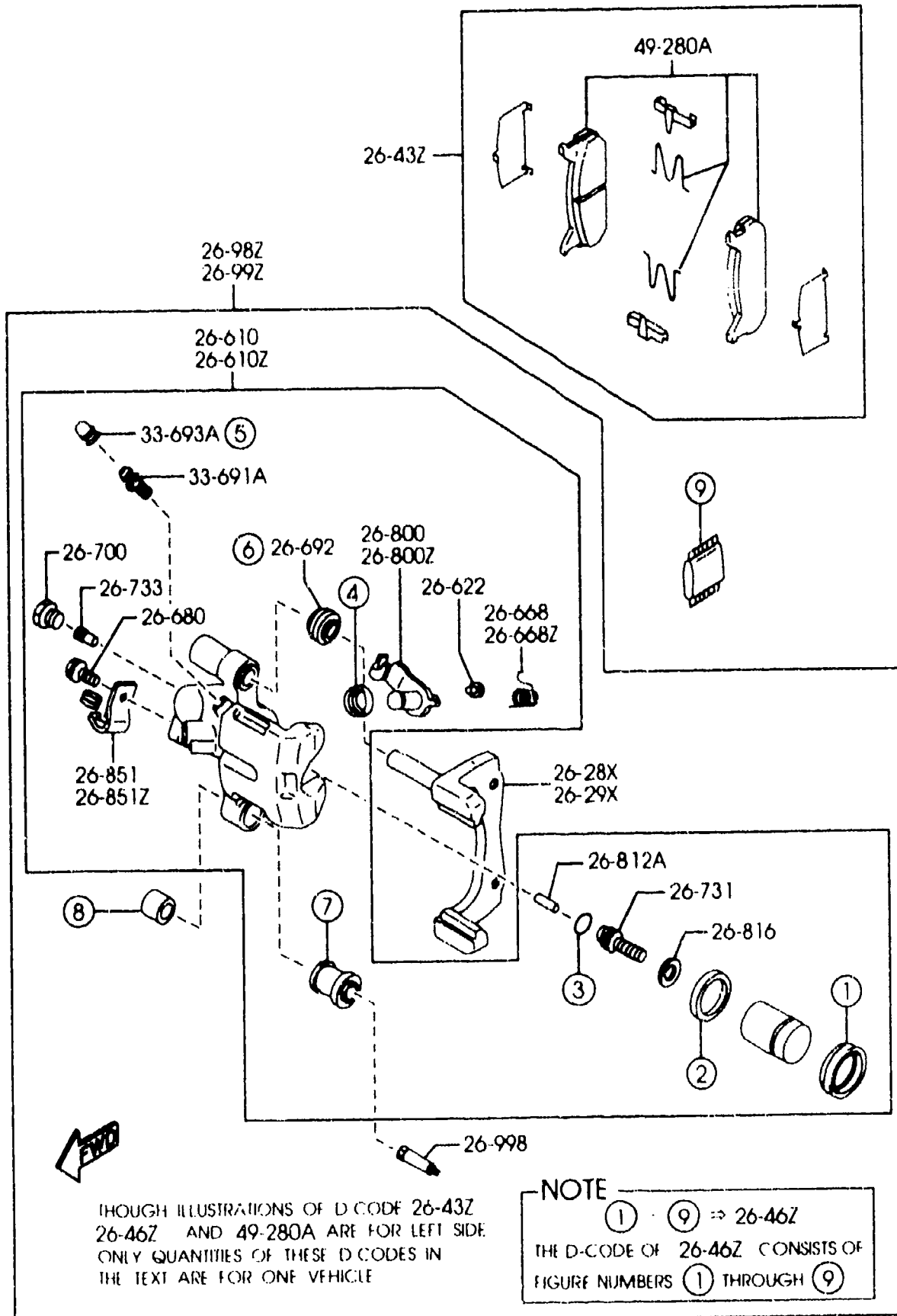
PART NO.	QTY	MODEL/RESTRICTION	MODEL/RESTRICTION	MODEL/RESTRICTION	FROM-TO
CONT'D					
N8YY-26-251A AN(N8YY-26-251B) 2	2	NO PAINTING (HARD SUSP) (SPORT SUSP)	NO PAINTING (SUSP.FERM) (SUSP. SPORTIVE)		0801-1601
N06Y-26-251A AN(N06Y-26-251B) 2	2	DACROTIZING (HARD SUSP) (SPORT SUSP)	DACROTIZING (SUSP.FERM) (SUSP. SPORTIVE)		0801-1601
N8YY-26-251B	2	NO PAINTING (HARD SUSP) (SPORT SUSP)	NO PAINTING (SUSP.FERM) (SUSP. SPORTIVE)		1601-
N06Y-26-251B	2	DACROTIZING (HARD SUSP) (SPORT SUSP)	DACROTIZING (SUSP.FERM) (SUSP. SPORTIVE)		1601-
26-261		COVER, DUST	CACHE, POUSSIERE		
B530-26-261B	2	(NOR. SUSP)	(SUSP. NRML)		
N067-26-261	2	(HARD SUSP) (SPORT SUSP)	(SUSP.FERM) (SUSP. SPORTIVE)		
28-8C0		BUSHING, RUBBER	BAGUE, CAOUTCHOUC		
NA01-28-8C0C	2				
33-042		NUT	ECROU		
0J21-33-042B	2				
33-047		BEARING, WHEEL	ROULEMENT ROUE AV		
B455-33-047C	2				
33-048		RING, RETAINING-DISC PLATE	BAGUE, RETENUE-PLAQUE DISC		
B21M-33-048	2				
33-061		HUB, WHEEL	MOYEU, ROUE AV		
B01A-33-060A	2				
33-062		BOLT, HUB	BOULON, JEU		
B01Y-33-062	8				
33-065		SEAL, OIL-AXLE	ARRET D'HUILE		
0304-33-065	2				

0801 NB35**-204344
1601 NB35**-219011
1821 NB35**-221201

-1821

2610A REAR BRAKE MECHANISMS

2610A -1 REAR BRAKE MECHANISMS

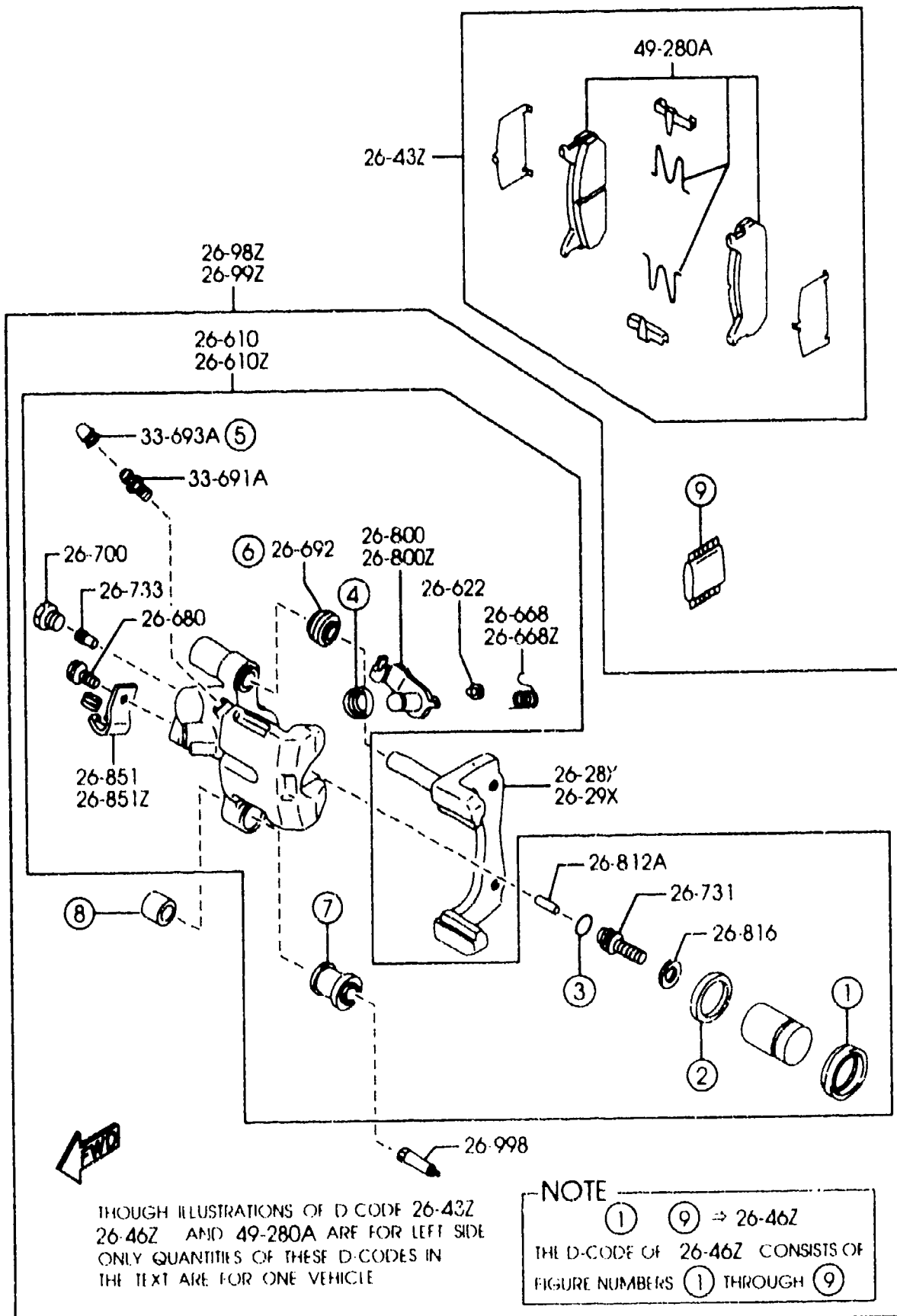


PART NO.	QTY	MODEL/RESTRICTION	MODEL/RESTRICTION	MODEL/RESTRICTION	FROM-TO
26-28X		SUPPORT(R), MOUNTING	SUPPORT(D), MONTAGE		
NA75-26-28X	1	(NOR. SUSP)	(SUSP. NRML)		
N067-26-28X	1	(HARD SUSP) (SPORT SUSP)	(SUSP. FERM) (SUSP. SPORTIVE)		
26-29X		SUPPORT(L), MOUNTING	SUPPORT(G), MONTAGE		
NA75-26-29X	1	(NOR. SUSP)	(SUSP. NRML)		
N067-26-29X	1	(HARD SUSP) (SPORT SUSP)	(SUSP. FERM) (SUSP. SPORTIVE)		
26-43Z		PAD SET, RR CALIPER	JEU TAMPON, CALIBRE AR		
N0Y8-26-43Z	1	(NOR. SUSP)	(SUSP. NRML)		
N0Y9-26-43ZA	1	(HARD SUSP) (SPORT SUSP)	(SUSP. FERM) (SUSP. SPORTIVE)		-0B06
N0Y9-26-43ZB	1	(HARD SUSP) (SPORT SUSP)	(SUSP. FERM) (SUSP. SPORTIVE)		0B06-
26-46Z		SEAL & BOOT SET, CALIPER	JEU JOINT & COFFRE, CAL-AR		
NAY1-26-46ZB	1	(NOR. SUSP)	(SUSP. NRML)		
N0V7-26-46Z	1	(HARD SUSP) (SPORT SUSP)	(SUSP. FERM) (SUSP. SPORTIVE)		
26-610		BODY & PISTON(R), CALIPER	COMPAS(D)		
NA75-26-61XC	1	(NOR. SUSP)	(SUSP. NRML)		
N067-26-61X	1	(HARD SUSP) (SPORT SUSP)	(SUSP. FERM) (SUSP. SPORTIVE)		
26-610Z		BODY & PISTON(L), CALIPER	COMPAS(G)		
NA75-26-71XC	1	(NOR. SUSP)	(SUSP. NRML)		
N067-26-71X	1	(HARD SUSP) (SPORT SUSP)	(SUSP. FERM) (SUSP. SPORTIVE)		
26-622		PIN, STOPPER-RR CALIPER	BROCHE, ARRET-CALIBRE AR.		
BW0H-26-696	2				
26-668		SPRING(R), LEVER	RESSORT (D)		
BW0H-26-668	1				
26-668Z		SPRING(L), LEVER	RESSORT (G)		
BW0H-26-669	1				
26-680		BOLT	BOLLON		

0B06 NB35** 206466

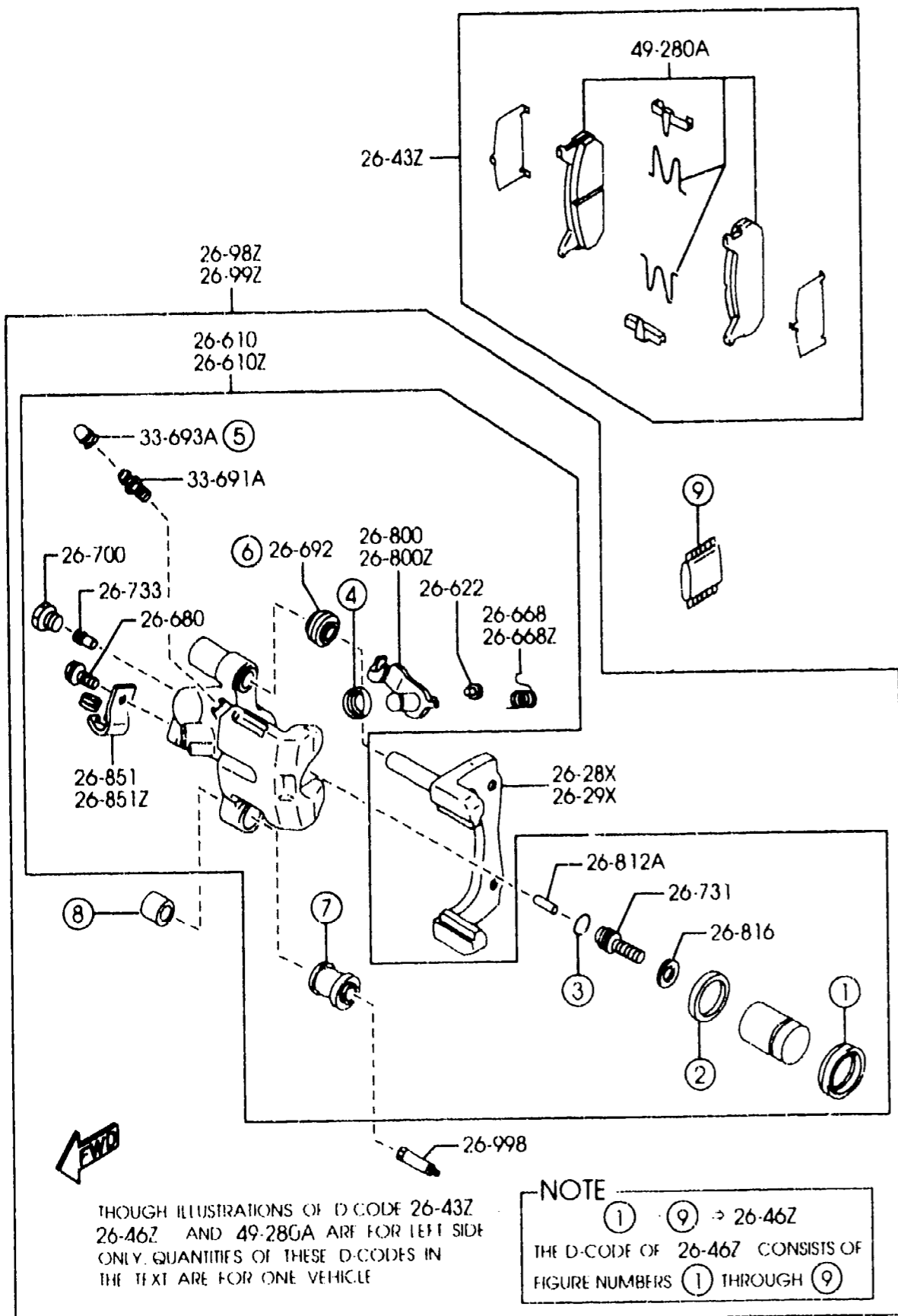
2610A REAR BRAKE MECHANISMS

2610A -2 REAR BRAKE MECHANISMS



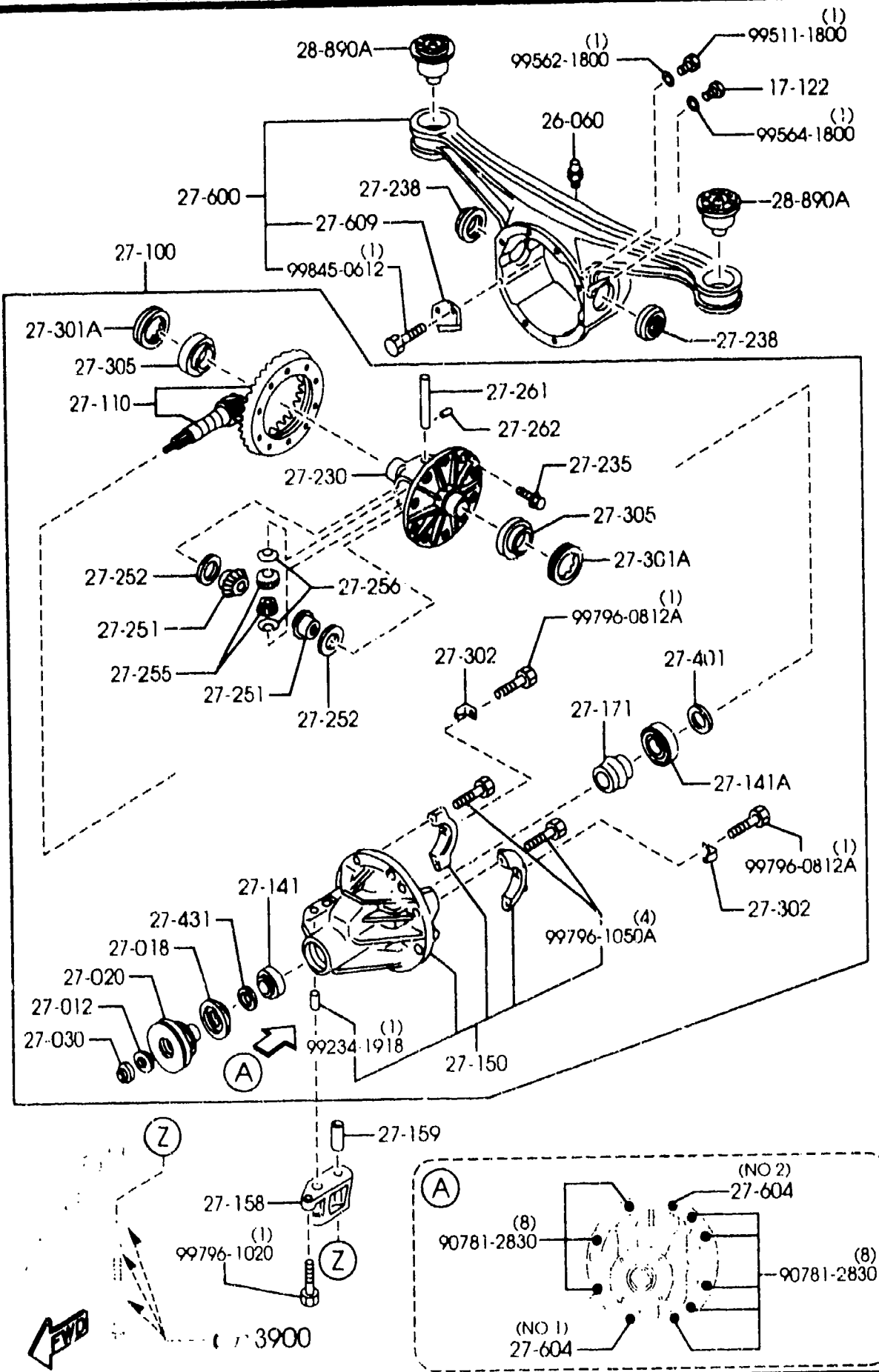
PART NO.	QTY	MODEL/RESTRICTION	MODEL/RESTRICTION	MODEL/RESTRICTION	FROM-TO
CONT'D BWOH-26-680	2				
26-692		BOOT, GUIDE PIN	SOUFFLET, BROCHE-GUID		
GAZE-26-692	2				
26-700		PLUG, SCREW	FICHE, VIS		
BWOH-26-700	2				
26-731		SPINDLE, ADJUSTER	FUSEE, REGLEUR		
MA75-26-731	2				
26-733		GEAR, ADJUST	ENGRENAGE, REGLAGE		
BWOH-26-733	2				
26-800		LEVER(R), OPERATING	LEVIER DE COMMANDE (D)		
BC1F-26-800B	1				
26-800Z		LEVER(L), OPERATING	LEVIER DE COMMANDE (G)		
BC1F-26-810B	1				
26-812A		ROD, PUSH-FRT CALIPER	TIGE, POUSSOIR-CALIBRE AV		
BWOH-26-812	2				
26-816		RING, SNAP-RR CALIPER	BAQUE, RESSORT-CALIBRE AR.		
GAZE-26-816	2				
26-851		BRACKET(R), CABLE	SUPPORT(D)		
BWOH-26-851	1				
26-851Z		BRACKET(L), CABLE	SUPPORT (G)		
BWOH-26-861	1				
26-98Z		CALIPER(R), PADLESS-R	CALIBRE SANS CALE, AR-D		
MAZ5-26-98ZC	1	(NOR. SUSP)	(SUSP. NRML)		
NOZ7-26-98Z	1	(HARD SUSP) (SPORT SUSP)	(SUSP. FERM) (SUSP. SPORTIVE)		
26-99Z		CALIPER(L), PADLESS-R	CALIBRE SANS CALE, AR-D		
MAZ5-26-99ZC	1	(NOR. SUSP)	(SUSP. NRML)		
NOZ7-26-99Z	1	(HARD SUSP) (SPORT SUSP)	(SUSP. FERM) (SUSP. SPORTIVE)		

2610A REAR BRAKE MECHANISMS



PART NO.	QTY	MODEL/RESTRICTION	MODEL/RESTRICTION	MODEL/RESTRICTION	FROM-TO
26-998 BWOH-26-998A	2	PIN, GUIDE	BROCHE-GUIDE		
33-691A BWOH-26-691	2	SCREW, BLEEDER	VIS DE PURGE		
33-693A 0259-33-693	2	CAP, BLEEDER SCREW	BOUCHON PURGEUR		
49-280A NOV6-26-48Z	1	PAD SUB SET, RR CALIPER (NOR. SUSP)	SOUS-JEU, PLAQUETTE A R (SUSP. NRML)		-0806
NOV7-26-48ZA	1	(HARD SUSP) (SPORT SUSP)	(SUSP. FERM) (SUSP. SPORTIVE)		
NOV7-26-48ZB	1	(HARD SUSP) (SPORT SUSP)	(SUSP. FERM) (SUSP. SPORTIVE)		0806-
0806 NB35**-206466					

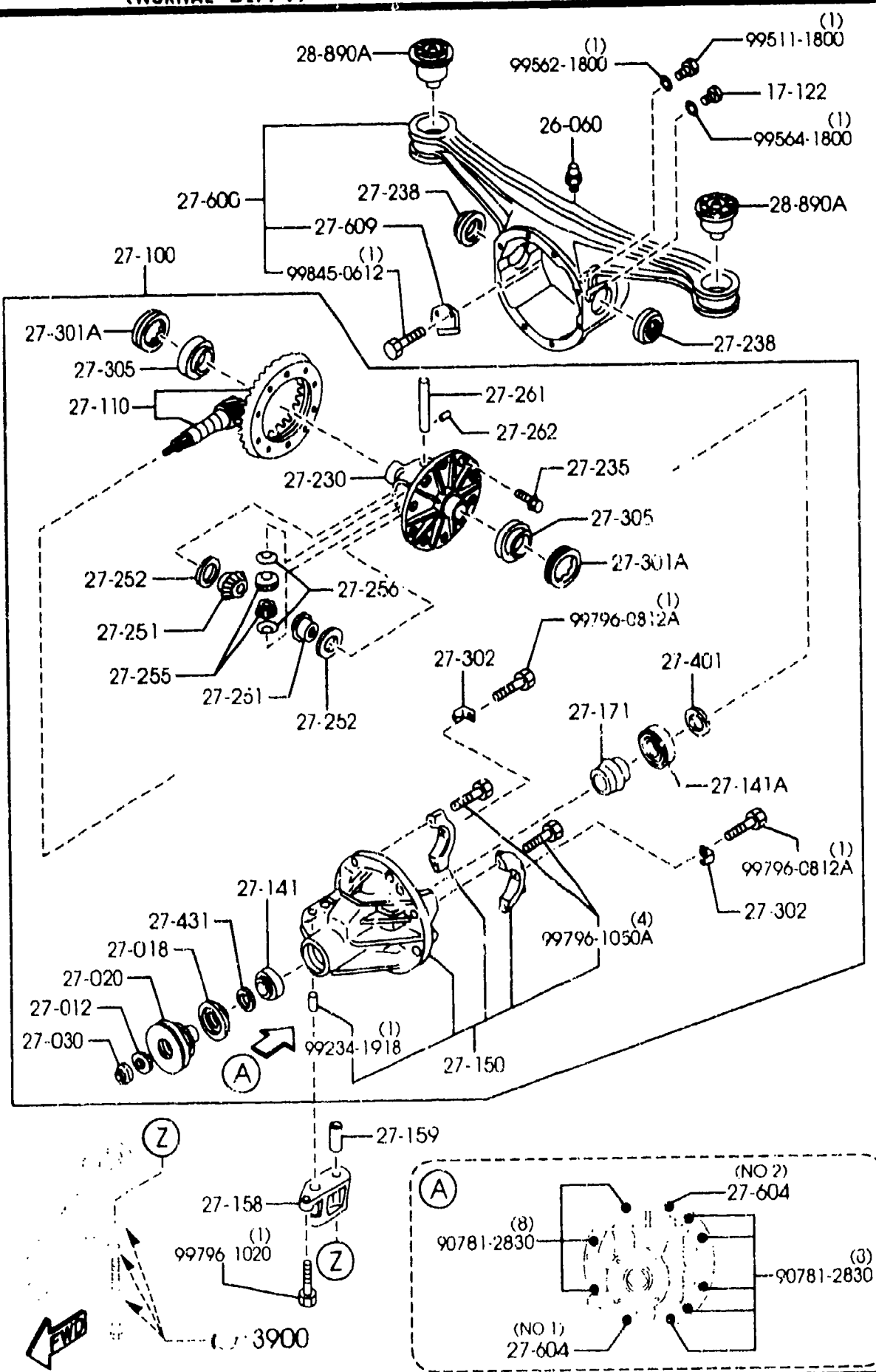
2710AA REAR DIFFERENTIALS
(NORMAL DIFF.)



2710AA-1 REAR DIFFERENTIALS
(NORMAL DIFF.)

PART NO.	QTY	MODEL/RESTRICTION	MODEL/RESTRICTION	MODEL/RESTRICTION	FROM-TO
17-122		PLUG, MAGNET	BOUCHON, AIMANT		
0810-17-121	1				
26-060		BREATHER	BOUCHON		
0730-26-060	1				
27-012		WASHER	RONDELLE		
0223-27-012	1				
27-018		SEAL, OIL	ARRET D'HUILE		
MA02-27-165A	1				
27-020		FLANGE, COMPANION	BRIDE		
MA02-27-120A	1 (AT)		(B.V. AUTOM)		
MA03-27-120B	1 (MT)		(B.V. MANU)		
27-030		NUT, LOCK	ECROU DE SERRAGE		
0223-27-030	1				
27-100		DRIVING & DIFF.	CARTER PONT AV. ASSEMBLE		
MA02-27-100	1 (AT)		(B.V. AUTOM)		
MA11-27-100	1 (MT)		(B.V. MANU)		
27-110		GEAR SET, FINAL	COUPLE CONIQUE		
MO61-27-110C	1 R=4.300 (MT)		R=4.300 (B.V. MANU)		
MO68-27-110B	1 R=4.100 (AT)		R=4.100 (B.V. AUTOM)		
27-141		BEARING, PINION	ROULEMENT (AV.), PIGNON		
0755-27-210	1				
27-141A		BEARING, PINION	ROULEMENT (ARR.), PIGNON		
MO25-27-210	1				
27-150		CARRIER, DIFFERENTIAL	DIFFERENTIEL, SUPPORT		
MA02-27-150A	1				
27-158		SPACE	RONDELLE		
MA02-27-158	1				

2710AA REAR DIFFERENTIALS
(NORMAL DIFF.)

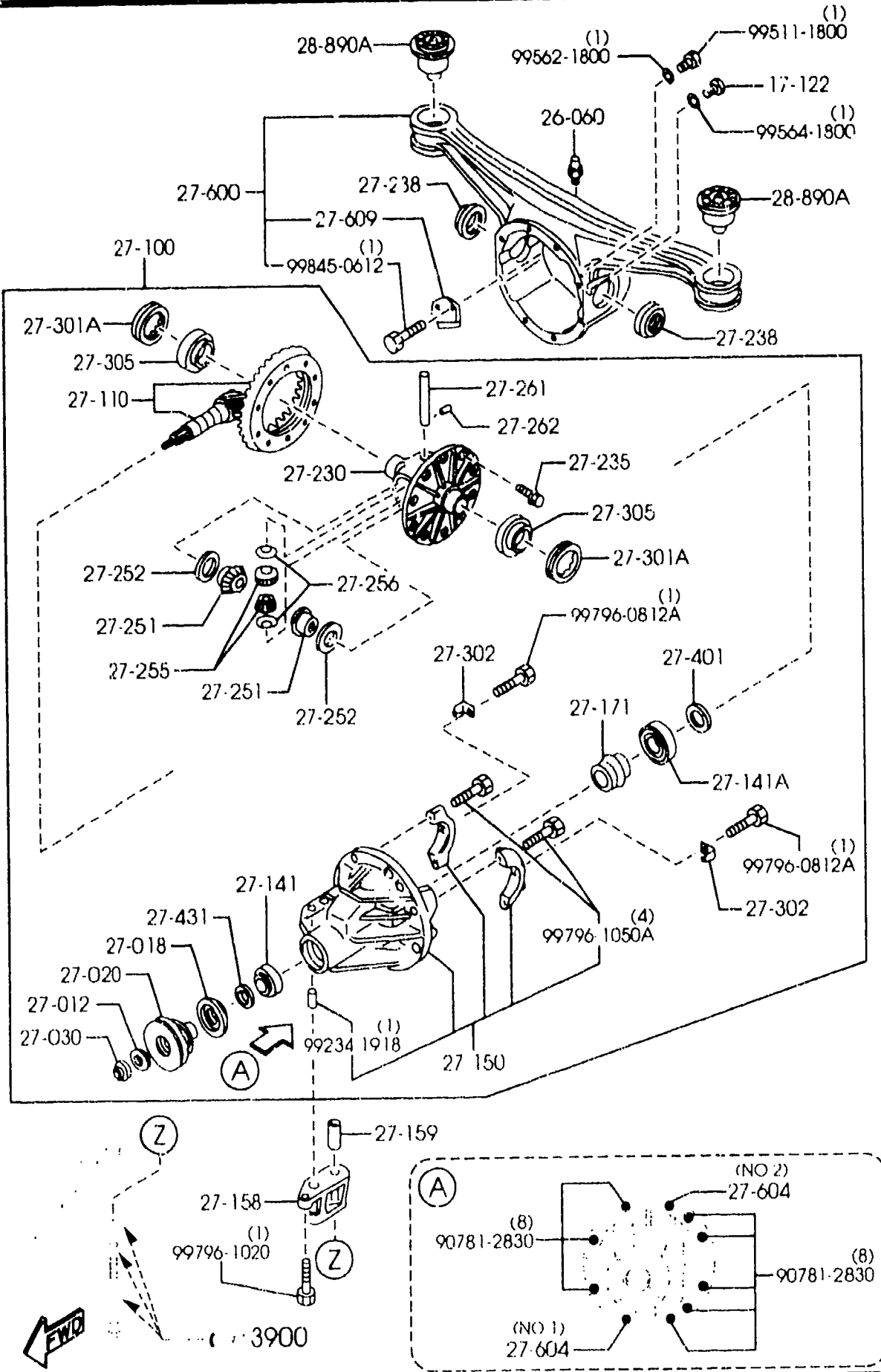


2710AA-2 REAR DIFFERENTIALS
(NORMAL DIFF.)

PART NO.	QTY	MODEL/RESTRICTION	MODEL/RESTRICTION	MODEL/RESTRICTION	FROM-TO
27-159	1	PIN, TUBULAR	BROCHE, TUBULAIRE		
MA02-27-159					
27-171	1	PIECE, DISTANCE	BUSELURE DE SEPARATION		
M035-27-171					
27-230	1	CASE, DIFF. GEAR	BOITIER		
M069-27-231					
27-235	10	BOLT, RING GEAR	BOULON		
8051-27-235		D=10.2MM	D=10.2MM		
8051-27-236	10	D=10.0MM	D=10.0MM		
27-238	2	SEAL, OIL	ARRET D'HUILE		
MA02-27-238A					
27-251	2	GEAR, DIFF. SIDE	PIGNON PLANETAIRE		
M069-27-251					
27-252	2	WASHER	RONDELLE		
0290-27-252		T=2MM	T=2MM		
0290-27-253	2	T=2.1MM	T=2.1MM		
0290-27-254	2	T=2.2MM	T=2.2MM		
0290-27-256	2	T=2.05MM	T=2.05MM		
0290-27-259	2	T=2.15MM	T=2.15MM		
27-255	2	PINION, DIFFERENTIAL	PIGNON DE DIFFERENTIAL		
M025-27-255D					
27-256	2	WASHER, THRUST	EPAISSEUR, PIGNON MARCHE ARR		
M025-27-256		T=2.0MM	T=2.0MM		
27-261	1	SHAFT, DIFF. PINION	AXE, COUPLE CONIQUE		
M025-27-261A					

2710AA REAR DIFFERENTIALS
(NORMAL DIFF.)

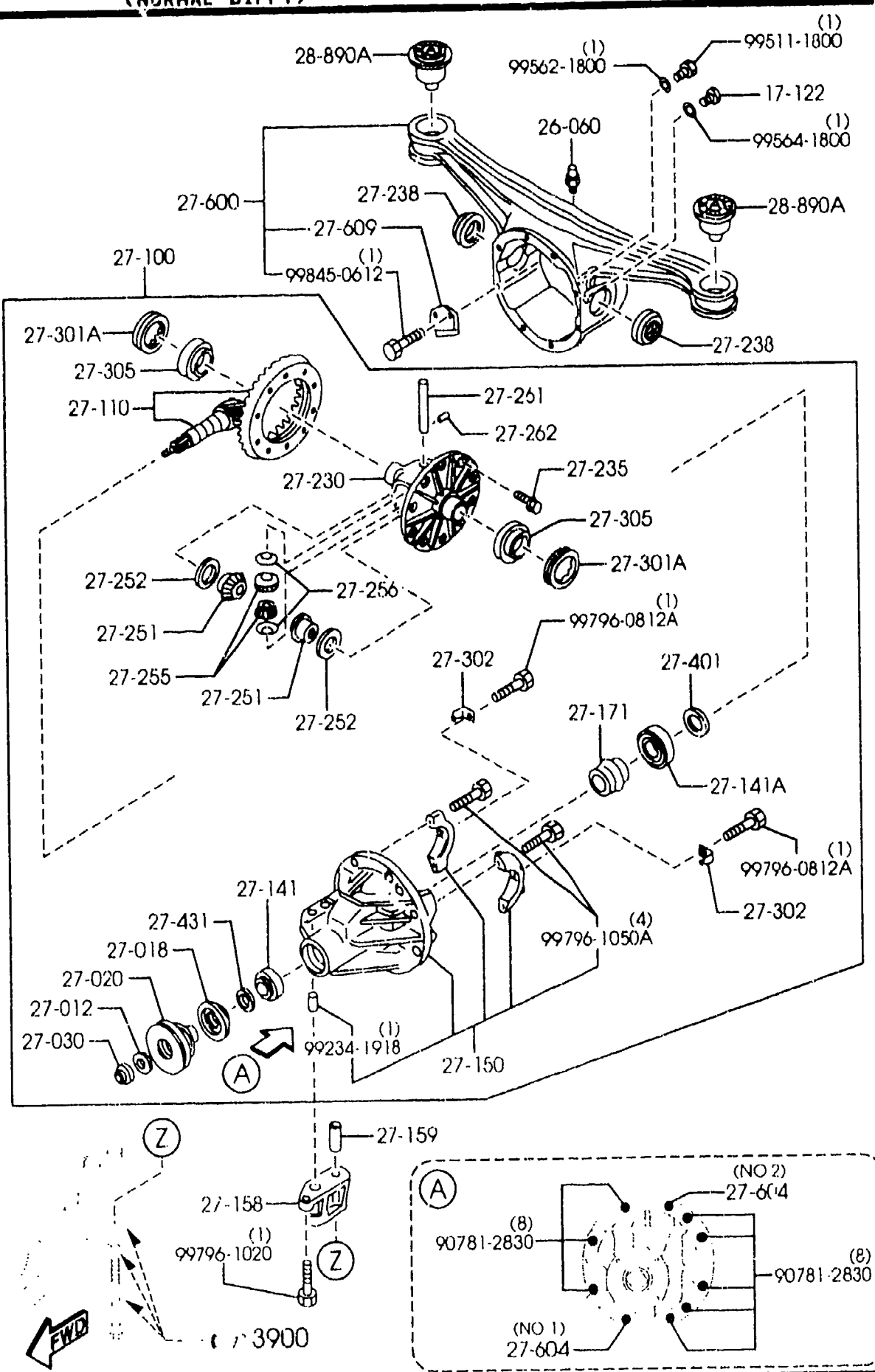
2710AA-3 REAR DIFFERENTIALS
(NORMAL DIFF.)



PART NO.	QTY	MODEL/RESTRICTION	MODEL/RESTRICTION	MODEL/RESTRICTION	FROM-TO
27-262		PIN	CLAVETTE		
0114-27-262	1				
27-301A		SCREW, ADJUST	VIS DE REGLAGE		
0290-27-301	2				
27-302		PLATE, LOCK	PLAQUE DE FIXATION		
0290-27-302	2				
27-305		BEARING	ROULEMENT		
0221-27-350	2				
27-401		SPACER	RONDELLE		
0223-27-401A	1	T=3.08MM	T=3.08MM		
0223-27-402A	1	T=3.11MM	T=3.11MM		
0223-27-403A	1	T=3.14MM	T=3.14MM		
0223-27-404A	1	T=3.17MM	T=3.17MM		
0223-27-405A	1	T=3.2MM	T=3.2MM		
0223-27-406A	1	T=3.23MM	T=3.23MM		
0223-27-407A	1	T=3.26MM	T=3.26MM		
0223-27-408A	1	T=3.29MM	T=3.29MM		
0223-27-409A	1	T=3.32MM	T=3.32MM		
0223-27-411A	1	T=3.35MM	T=3.35MM		
0223-27-412A	1	T=3.38MM	T=3.38MM		
0223-27-413A	1	T=3.41MM	T=3.41MM		
0223-27-414A	1	T=3.44MM	T=3.44MM		
0223-27-415A	1	T=3.47MM	T=3.47MM		
0223-27-416	1	T=3.095MM	T=3.095MM		
0223-27-417	1	T=3.125MM	T=3.125MM		

2710AA REAR DIFFERENTIALS
(NORMAL DIFF.)

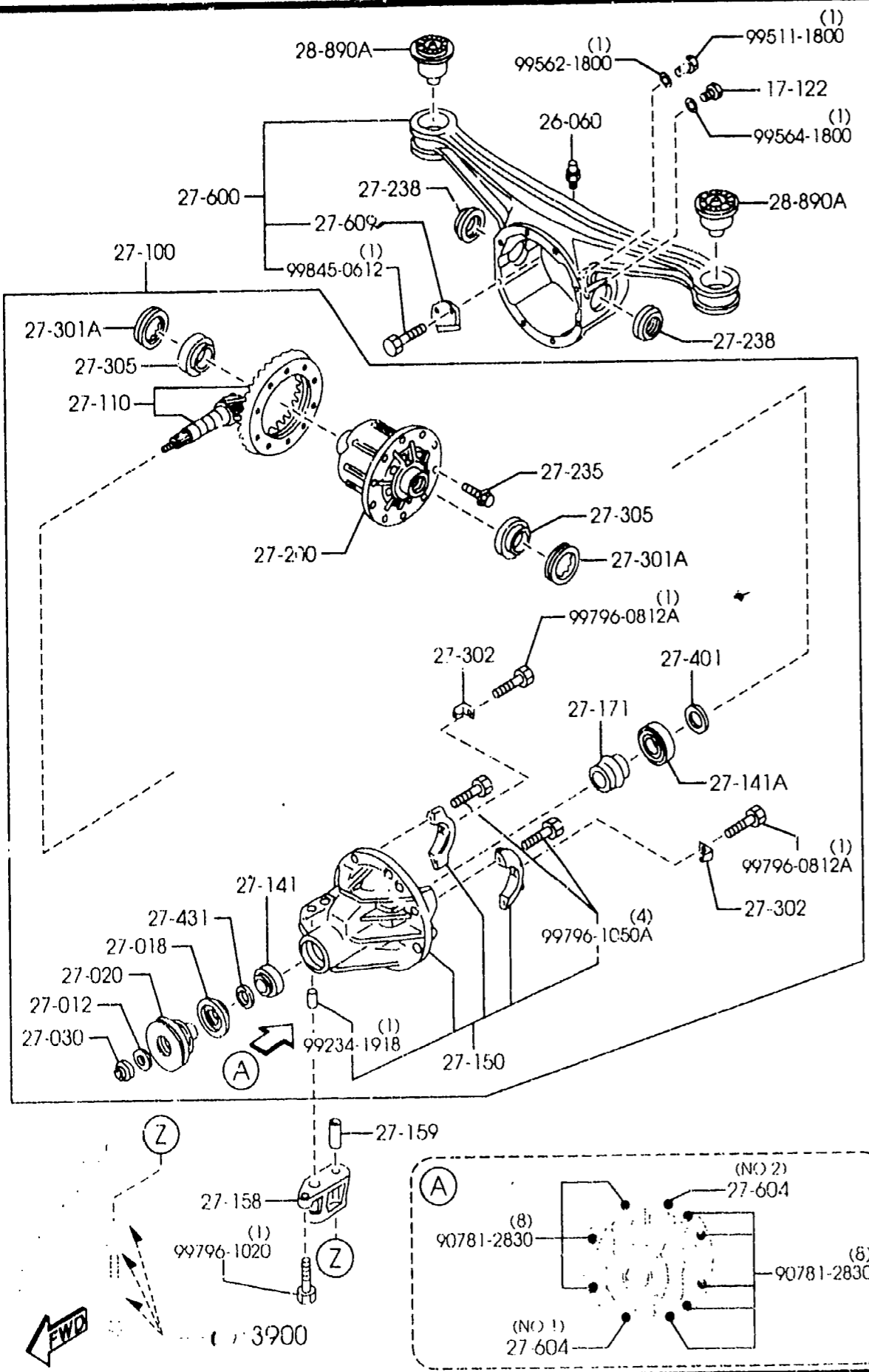
2710AA-4 * REAR DIFFERENTIALS
(NORMAL DIFF.)



PART NO.	QTY	MODEL/RESTRICTION	MODEL/RESTRICTION	MODEL/RESTRICTION	FROM-TO
CONT'D	1				
0223-27-418	1	T=3.155MM	T=3.155MM		
0223-27-419	1	T=3.185MM	T=3.185MM		
0223-27-422	1	T=3.215MM	T=3.215MM		
0223-27-423	1	T=3.245MM	T=3.245MM		
0223-27-424	1	T=3.275MM	T=3.275MM		
0223-27-425	1	T=3.305MM	T=3.305MM		
0223-27-426	1	T=3.335MM	T=3.335MM		
0223-27-427	1	T=3.365MM	T=3.365MM		
0223-27-428	1	T=3.395MM	T=3.395MM		
0223-27-433	1	T=3.425MM	T=3.425MM		
0223-27-434	1	T=3.455MM	T=3.455MM		
27-431		SPACER	RONDELLE		
PA01-27-431	1				
27-600		CASING, DIFFERENTIAL	CARTER, DIFFERENTIEL		
MA02-27-600A	1				
27-604		BOLT, CARRIER	BOULON, SUPPORT		
MO53-27-604	1	(ILLUST. NO.1)			
MO53-27-605	1	(ILLUST. NO.2)			
27-609		PLATE, BAFFLE-DIFF CASE	PLAQUE, CHICANE-CARTER		
MOA1-27-609A	1				
28-890A		RUBBER, SUB FRAME MTG	CAOUTCHOUC DE FIX.,		
NA01-28-890	2				

2710AB REAR DIFFERENTIALS
(LIMITED SLIP DIFF.)

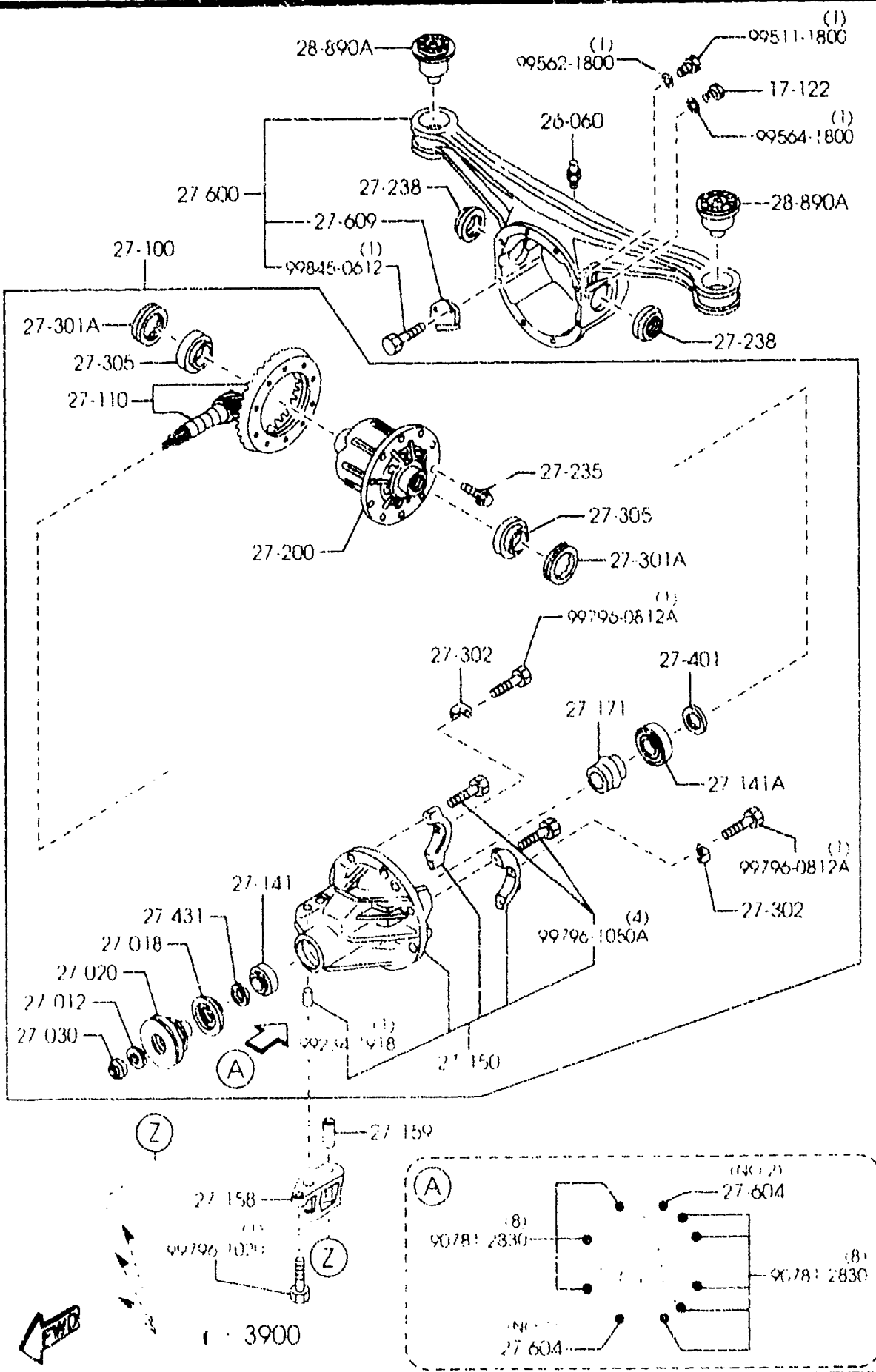
2710AB-1 REAR DIFFERENTIALS
(LIMITED SLIP DIFF.)



PART NO.	QTY	MODEL/RESTRICTION	MODEL/RESTRICTION	MODEL/RESTRICTION	FROM-TO
17-122		PLUG, MAGNET	BOUCHON, AIMANT		
0810-17-121	1				
26-060		BREATHER	BOUCHON		
0730-26-060	1				
27-012		WASHER	RONDELLE		
0223-27-012	1				
27-018		SEAL, OIL	ARRET D'HUILE		
MA02-27-165A	1				
27-020		FLANGE, COMPANION	BRIDE		
MA03-27-120B	1				
27-030		NUT, LOCK	ECROU DE SERRAGE		
0223-27-030	1				
27-100		DRIVING & DIFF.	CARTER PONT AV. ASSEMBLE		
MM07-27-100B	1 (6-SP)		(6-VITS)		
MM08-27-100	1 (5-SP)		(5-VITS)		
27-110		GEAR SET, FINAL	COUPLE CONIQUE		
M037-27-110B	1	R=3.909 (6-SP)	R=3.909 (6-VITS)		
M061-27-110C	1	R=4.300 (5-SP)	R=4.300 (5-VITS)		
27-141		BEARING, PINION	ROULEMENT (AV.), PIGNON		
0755-27-210	2				
27-141A		BEARING, PINION	ROULEMENT (ARR.), PIGNON		
M025-27-210	1				
27-150		CARRIER, DIFFERENTIAL	DIFFERENTIEL, SUPPORT		
MA02-27-150A	1				
27-158		SPACE	RONDELLE		
MA02-27-158	1				
27-159		PIN, TUBULAR	BROCHE, TUBULAIRE		

2710AB REAR DIFFERENTIALS
(LIMITED SLIP DIFF.)

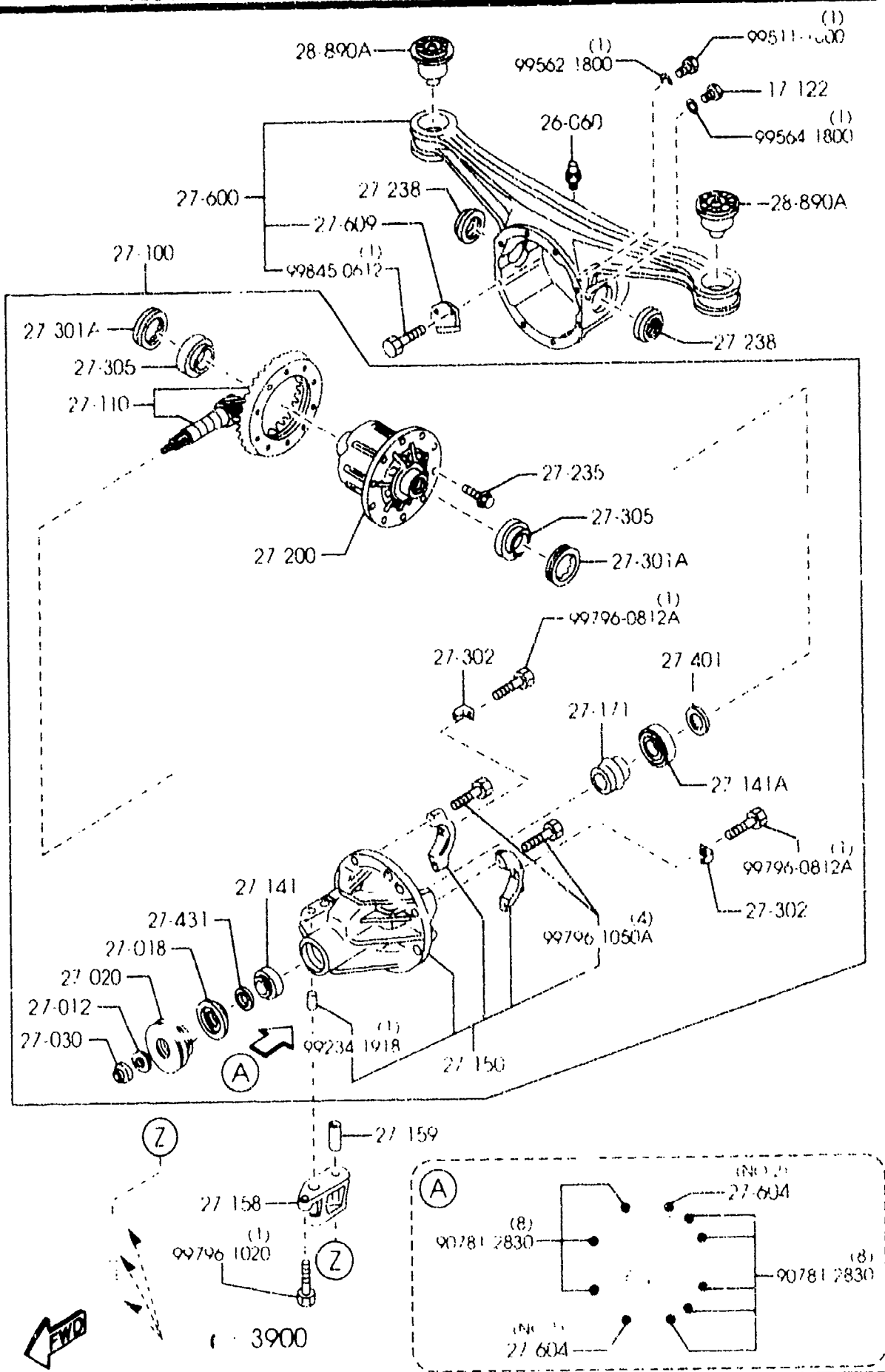
2710AB-2 REAR DIFFERENTIALS
(LIMITED SLIP DIFF.)



PART NO	QTY	MODEL/RESTRICTION	MODEL/RESTRICTION	MODEL/RESTRICTION	FROM-TO
CONT'D MA02-27-159	1				
27-171		PIECE, DISTANCE	BUSELURE DE SEPARATION		
M035-27-171	1				
27-200		DIFFERENTIAL	DIFFERENTIEL		
MM03-27-200	1				
27-235		BOLT, RING GEAR	BOULON		
0051-27-235	10	D=10.2MM	D=10.2MM		
0051-27-236	10	D=10.0MM	D=10.0MM		
27-238		SEAL, OIL	ARRET D'HUILE		
MA02-27-238A	2				
27-301A		SCREW, ADJUST	VIS DE REGLAGE		
0290-27-301	2				
27-302		PLATE, LOCK	PLAQUE DE FIXATION		
0290-27-302	2				
27-305		BEARING	ROULEMENT		
0221-27-350	2				
27-401		SPACER	RONDELLE		
0223-27-401A	1	T=3.08MM	T=3.08MM		
0223-27-402A	1	T=3.11MM	T=3.11MM		
0223-27-403A	1	T=3.14MM	T=3.14MM		
0223-27-404A	1	T=3.17MM	T=3.17MM		
0223-27-405A	1	T=3.2MM	T=3.2MM		
0223-27-406A	1	T=3.23MM	T=3.23MM		
0223-27-407A	1	T=3.26MM	T=3.26MM		
0223-27-408A	1	T=3.29MM	T=3.29MM		

2710AB REAR DIFFERENTIALS
(LIMITED SLIP DIFF.)

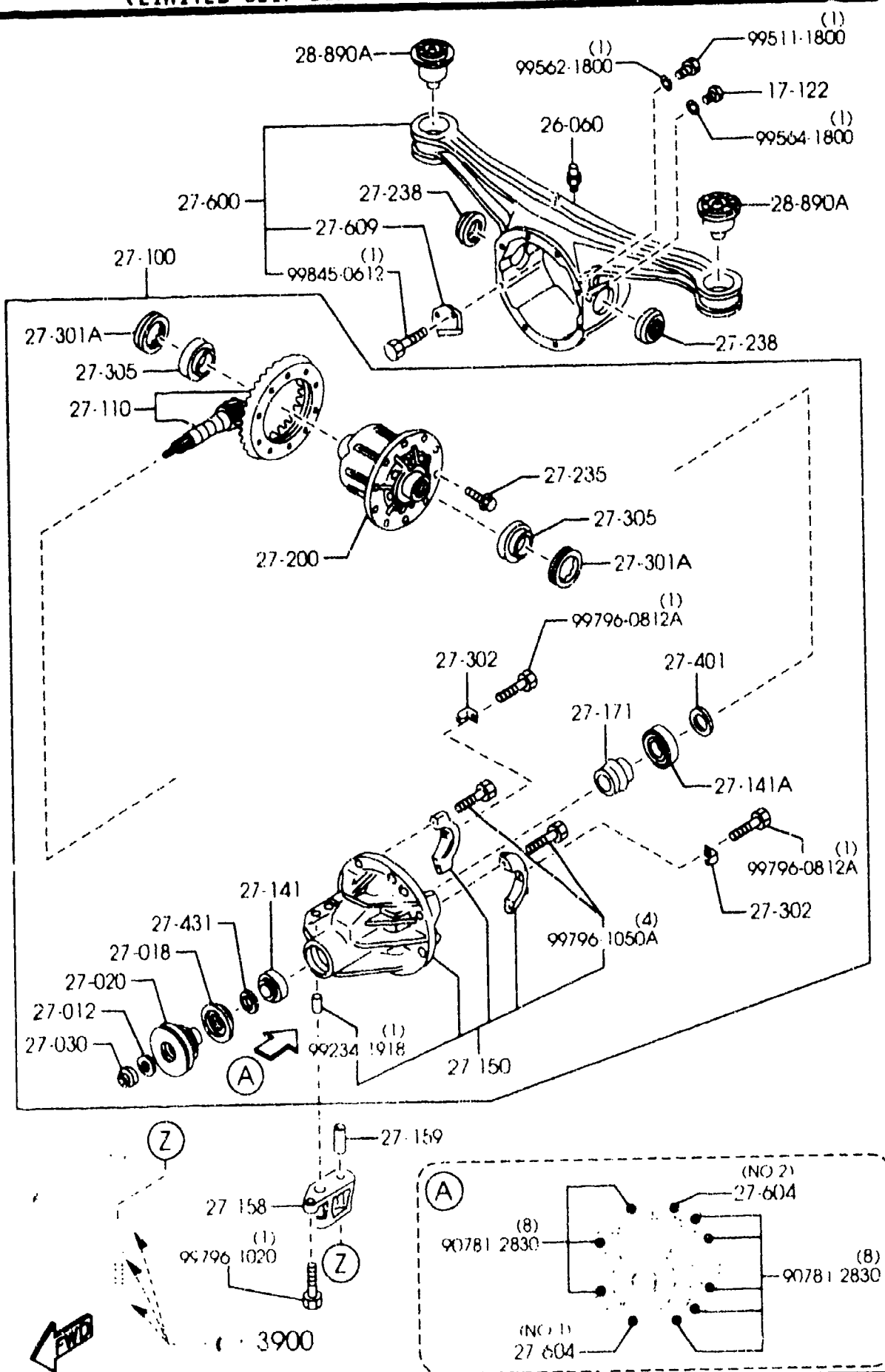
2710AB-3 REAR DIFFERENTIALS
(LIMITED SLIP DIFF.)



PART NO.	QTY	MODEL/RESTRICTION	MODEL/RESTRICTION	MODEL/RESTRICTION	FROM-TO
CONT'D					
0223-27-409A	1	T=3.32MM	T=3.32MM		
0223-27-411A	1	T=3.35MM	T=3.35MM		
0223-27-412A	1	T=3.38MM	T=3.38MM		
0223-27-413A	1	T=3.41MM	T=3.41MM		
0223-27-414A	1	T=3.44MM	T=3.44MM		
0223-27-415A	1	T=3.47MM	T=3.47MM		
0223-27-416	1	T=3.095MM	T=3.095MM		
0223-27-417	1	T=3.125MM	T=3.125MM		
0223-27-418	1	T=3.155MM	T=3.155MM		
0223-27-419	1	T=3.185MM	T=3.185MM		
0223-27-422	1	T=3.215MM	T=3.215MM		
0223-27-423	1	T=3.245MM	T=3.245MM		
0223-27-424	1	T=3.275MM	T=3.275MM		
0223-27-425	1	T=3.305MM	T=3.305MM		
0223-27-426	1	T=3.335MM	T=3.335MM		
0223-27-427	1	T=3.365MM	T=3.365MM		
0223-27-428	1	T=3.395MM	T=3.395MM		
0223-27-433	1	T=3.425MM	T=3.425MM		
0223-27-434	1	T=3.455MM	T=3.455MM		
27-431	1	SPACER	RONDELLE		
PA01-27-431	1				
27-600	1	CASING, DIFFERENTIAL	CARTER, DIFFERENTIEL		
MA02-27-600A	1				

2710AB REAR DIFFERENTIALS
(LIMITED SLIP DIFF.)

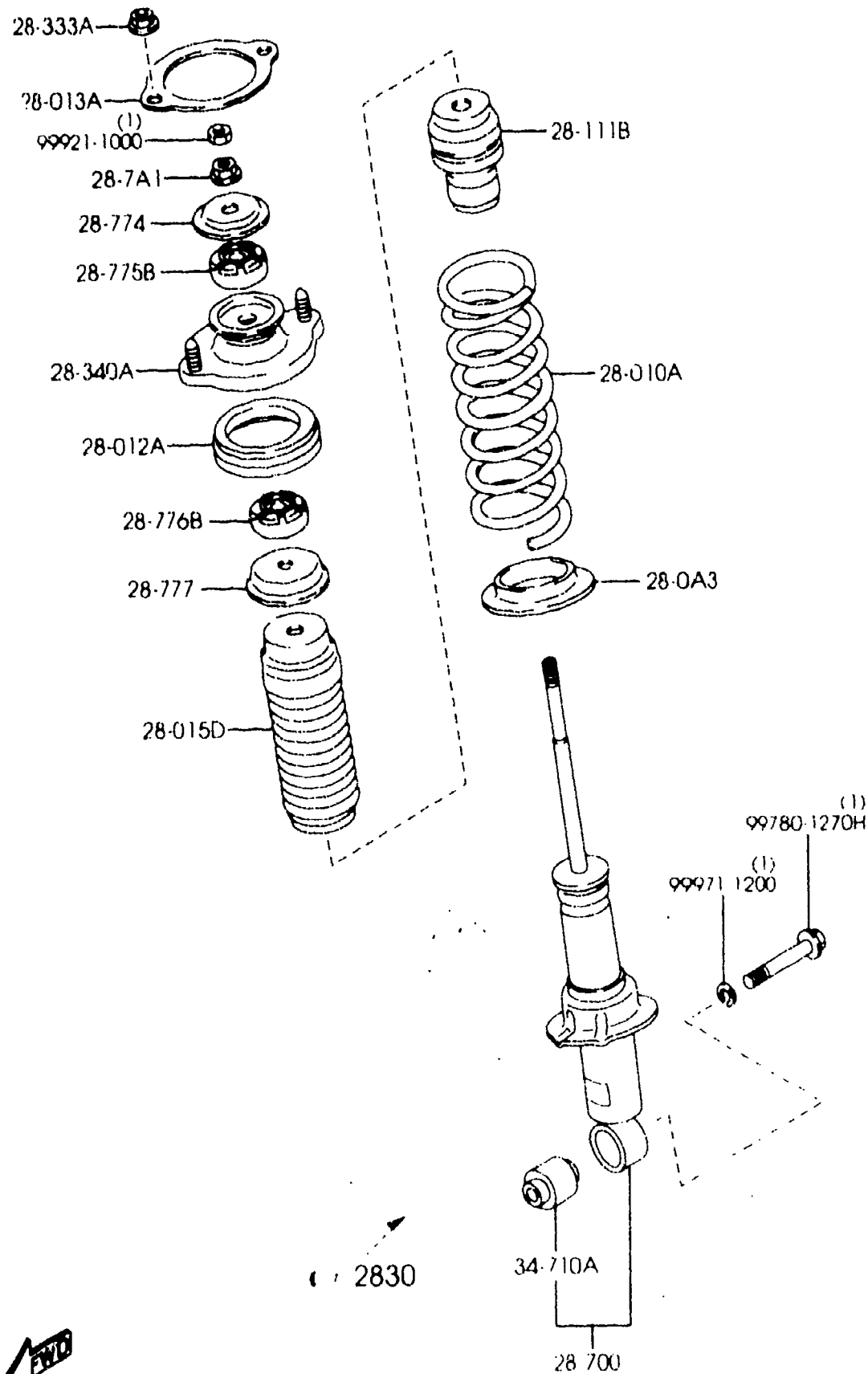
2710AB-4 * REAR DIFFERENTIALS
(LIMITED SLIP DIFF.)



PART NO.	QTY	MODEL/RESTRICTION	MODEL/RESTRICTION	MODEL/RESTRICTION	FROM-TO
27-604		BOLT, CARRIER	BOULON, SUPPORT		
M053-27-604	1	(ILLUST. NO. 1)			
M053-27-605	1	(ILLUST. NO. 2)			
27-609		PLATE, BAFFLE-DIFF CAR	PLAQUE, CHICANE-CARTE		
M0A1-27-609A	1	SING	R		
28-890A		RUBBER, SUB FRAME MTG	CAOUTCHOUC DE FIX.,		
M0A1-28-890	2				

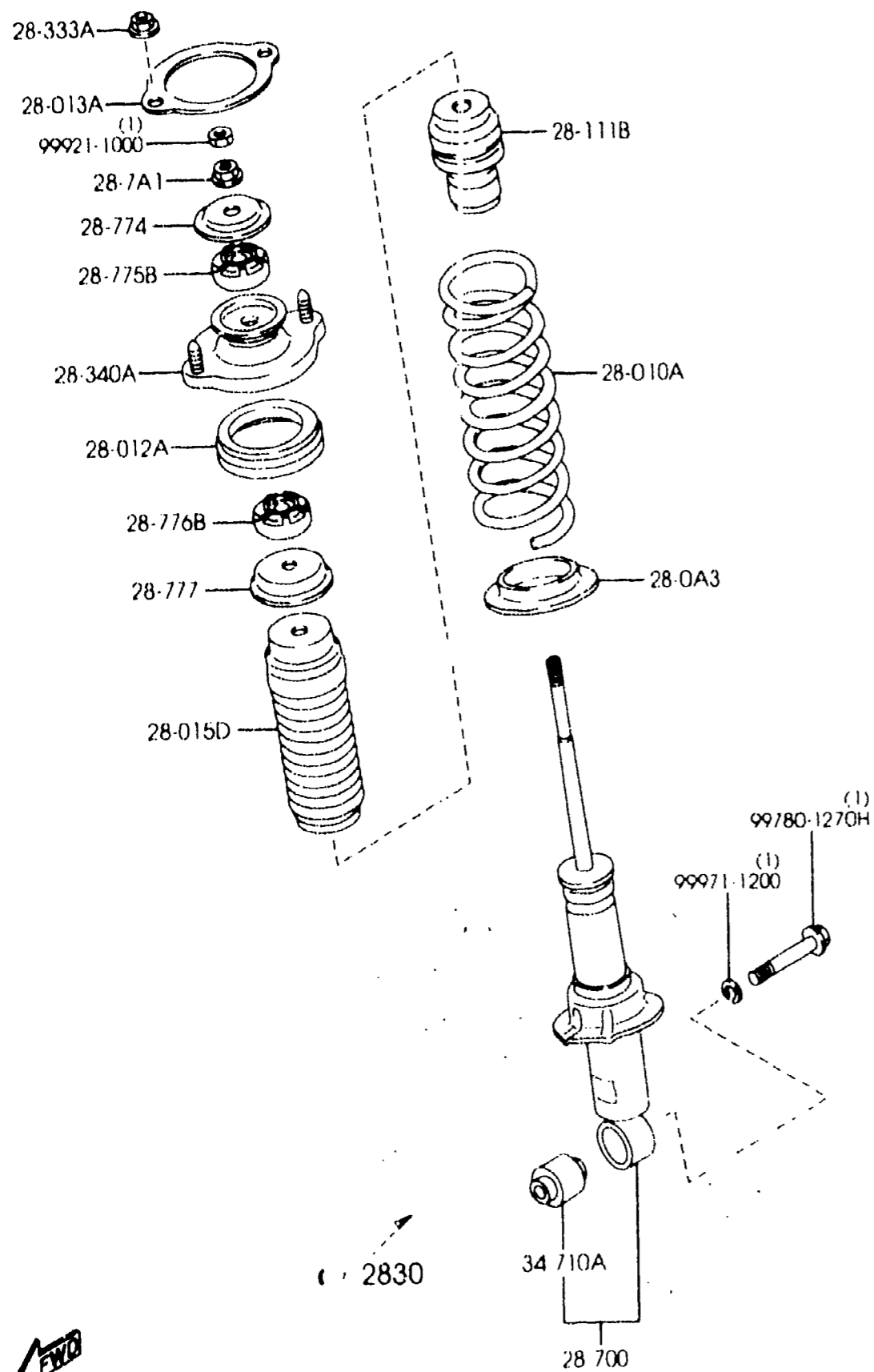
2800A REAR SUSPENSION MECHANISMS

2800A -1 REAR SUSPENSION MECHANISMS

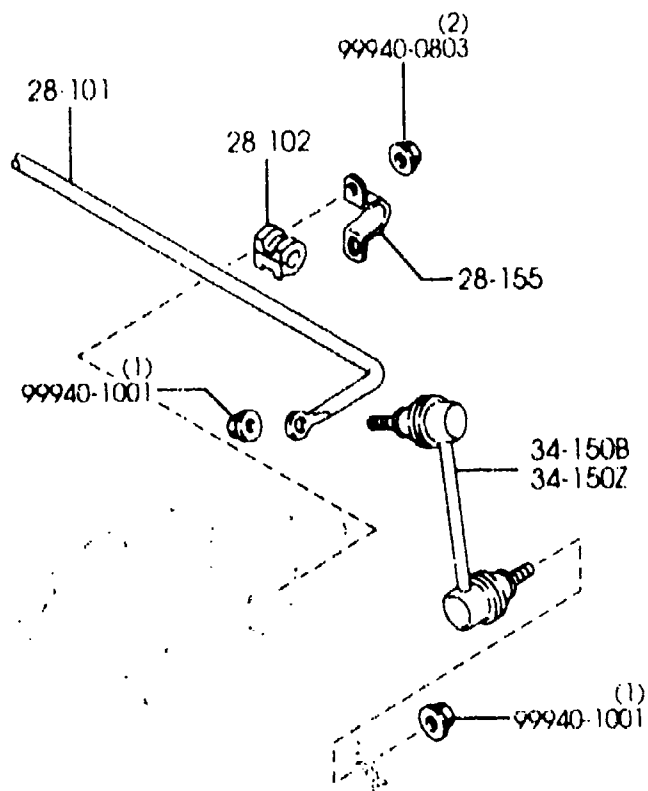


PART NO.	QTY	MODEL/RESTRICTION	MODEL/RESTRICTION	MODEL/RESTRICTION	FROM-TO
28-0A3		RUBBER, SPRING SHEET	CAOUTCHOUC, SIEGE RESORT		
NC10-28-0A3A	2				
28-010A		SPRING, COIL-REAR	RESSORT, HELICOIDAL		
N066-28-011	2	(NOR. SUSP) (SPORT SUSP)	(SUSP. NRML) (SUSP. SPORTIVE)		
N067-28-011	2	(HARD SUSP)	(SUSP. FERM)		
28-012A		SHEET, RUBBER	SIEGE, C.T.C.		
NC10-28-012B	2				
28-013A		SHEET, RUBBER	SIEGE, C.T.C.		
0630-28-013A	2				
28-015D		BOOT, DUST	COIFFE		
NC10-28-015A	2				
28-111B		STOPPER, BUMP	BUTEE DE TALONNAGE		
NC10-28-111B	2				
28-333A		NUT, FLANGE	ECROU		
H001-28-333	4				
28-340A		SHEET, SPRING-UPPER	FEUILLE SUP., RESSORT		
NC10-28-340C	2				
28-7A1		NUT, FLANGE-RR DAMPER	ECROU, BRIDE-AMORTISS		
D061-28-7A1	2				
28-700		DAMPER, REAR	AMOTISSEUR AR		
N066-28-700	2	(NOR. SUSP) (SPORT SUSP)	(SUSP. NRML) (SUSP. SPORTIVE)		
N067-28-700	2	(HARD SUSP)	(SUSP. FERM)		
28-774		RETAINER, REAR DAMPER	ARRET, AMORTISSEUR ARRIERE		
NC10-28-774	2				
28-775B		BUSH, REAR DAMPER-UPPER	COUSSINET, AMORT. AR.-SUP.		
NC10-28-775	2				
28-776B		BUSH, REAR DAMPER-LOWER	COUSSINET, AMORT. AR.-INF.		

2800A REAR SUSPENSION MECHANISMS



PART NO.	QTY	MODEL/RESTRICTION	MODEL/RESTRICTION	MODEL/RESTRICTION	FROM-TO
CONT'D NC10-28-776	2				
↑-----↑ 28-777 ↑-----↑		WASHER	RONDELLE		
NC10-28-777	2				
↑-----↑ 34-710A ↑-----↑		BUSHING, DAMPER-LOWER	COUSSINET, AMORT.-INF		
NC10-34-710	2	(NOR. SUSP) (SPORT SUSP)	(SUSP. NRML) (SUSP. SPORTIVE)		

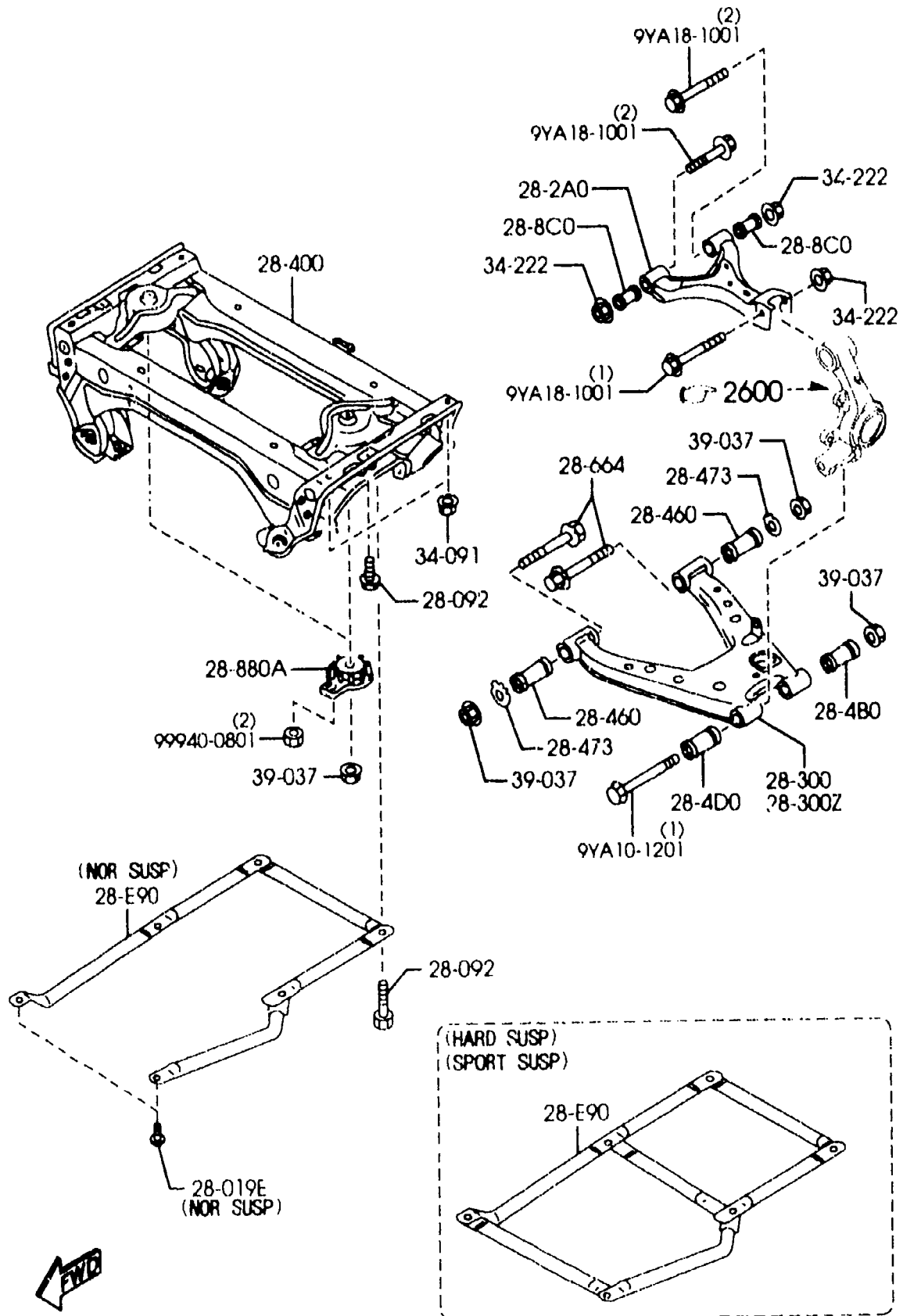


PART NO.	QTY	MODEL/RESTRICTION	MODEL/RESTRICTION	MODEL/RESTRICTION	FROM-TO
28-101	1	STABILIZER,RR	STABILISATEUR		
NC12-28-151	1	(HARD SUSP)	(SUSP.FERM)		
N023-28-151	1	(NOR. SUSP) (SPORT SUSP)	(SUSP.NRML) (SUSP. SPORTIVE)		
28-102	2	BUSH,STABILIZER-RR	BUSELURE CTC		
G113-28-156	2	(HARD SUSP)	(SUSP.FERM)		
N023-28-156	2	(NOR. SUSP) (SPORT SUSP)	(SUSP.NRML) (SUSP. SPORTIVE)		
28-155	2	PLATE,STABILIZER-RR	SUPPORT		
FB01-28-155	2				
34-150B	1	LINK(R),CONTROL	LIAISON(D),COMMANDE		
GA2A-34-150A	1				
34-150Z	1	LINK(L),CONTROL	LIAISON(G),COMMANDE		
GA2A-34-170A	1				



2830A REAR LOWER ARMS & SUB FRAME

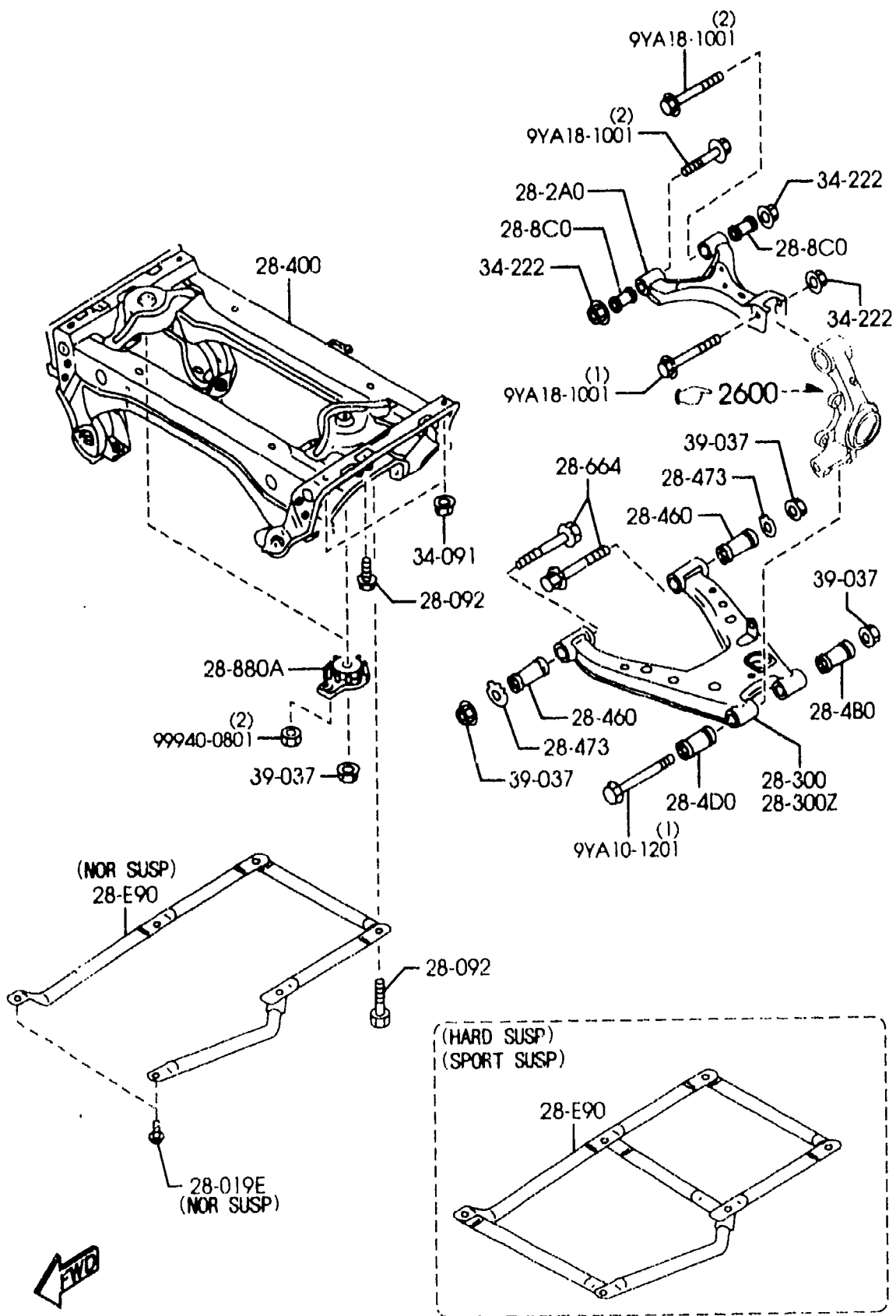
2830A -1 REAR LOWER ARMS & SUB FRAME



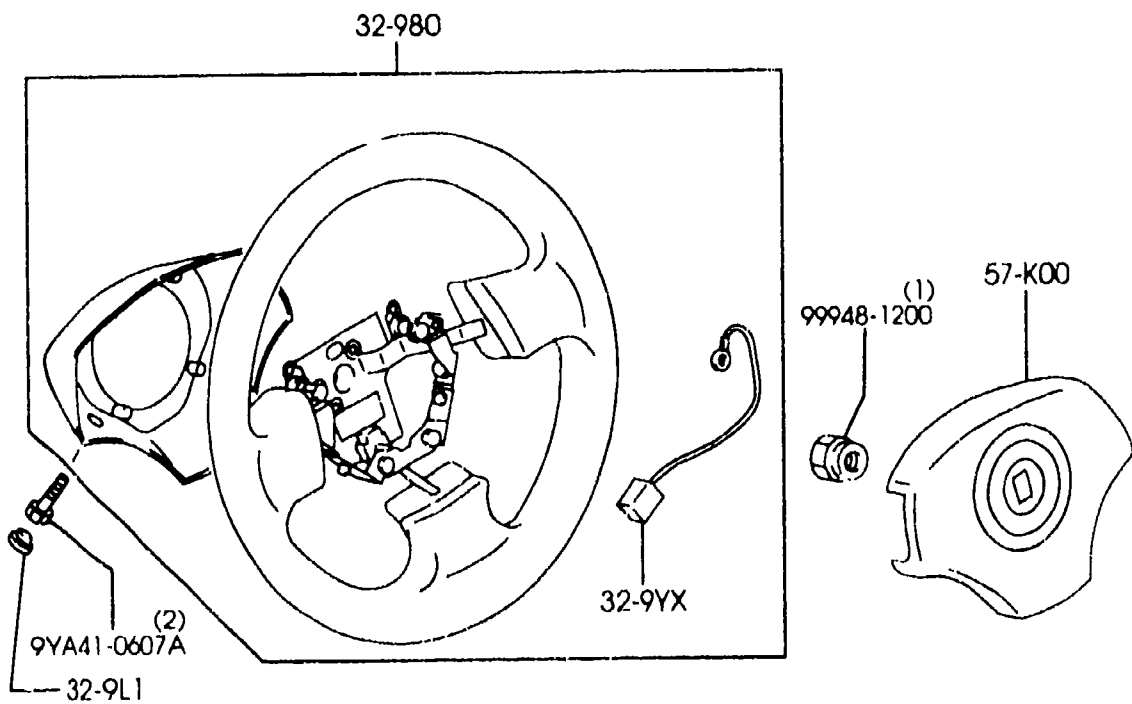
PART NO.	QTY	MODEL/RESTRICTION	MODEL/RESTRICTION	MODEL/RESTRICTION	FROM-TO
28-E90		BAR, CROSS-REAR	BARRE, TRAVERSE-AR		
NC10-28-E90D	1	(NOR. SUSP)	(SUSP. NRML)		
N067-28-E90A	1	(HARD SUSP) (SPORT SUSP)	(SUSP. FERM) (SUSP. SPORTIVE)		
28-019E		CAP, REAR DAMPER	BOUCHON		
N066-28-019A AN(N066-28-019B)	2	(NOR. SUSP)	(SUSP. NRML)		-0621
N066-28-019B	2	(NOR. SUSP)	(SUSP. NRML)		0821-
28-092		BOLT, CONTROL LINK	BOULON, LIAISON REGLAGE		
NA01-28-092	8	(NOR. SUSP)	(SUSP. NRML)		
NA01-28-092	10	(HARD SUSP) (SPORT SUSP)	(SUSP. FERM) (SUSP. SPORTIVE)		
28-2A0		ARM, UPPER-REAR	BRAS, SUP. -AR		
NC10-28-C10	2				
28-300		ARM(R), LOWER-REAR	BRAS INF. DROIT		
NC10-28-310	1				
28-300Z		ARM(L), LOWER-REAR	BRAS		
NC10-28-360	1				
28-480		BUSHING, RUBBER-LOWER ARM	BUSELURE CTC		
NA01-28-480	2				
28-4D0		BUSHING, RUBBER-LOWER ARM	BUSELURE CTC		
NA01-28-4D0	2				
28-400		MEMBER, CROSS	TRAVERSE		
NC10-28-800D	1				
28-460		BUSHING, LOWER ARM	BALAIS		
NA01-28-460	4				
28-473		PLATE, CAM-SUB FRAME	PLAQUE, CAME-SOUS CHASSIS		
NA80-28-473A	4				
28-664		BOLT, ADJUST	BOULON, REGLAGE		
NA80-28-66ZD	4				

0821 NB35**201834

2830A REAR LOWER ARMS & SUB FRAME



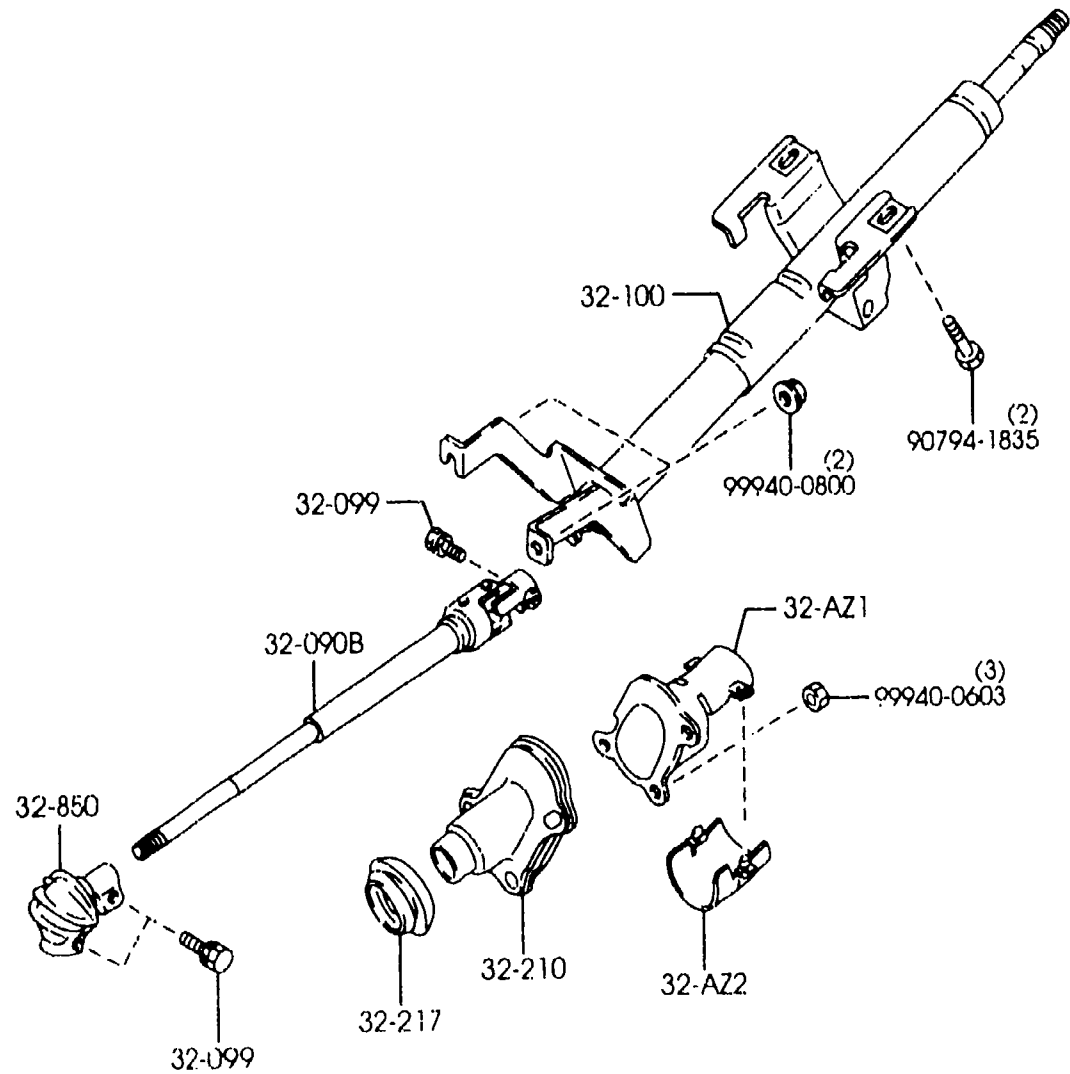
PART NO.	QTY	MODEL/RESTRICTION	MODEL/RESTRICTION	MODEL/RESTRICTION	FROM-TO
28-8C0		BUSHING, RUBBER	BAGUE, CAOUTCHOUC		
NA01-28-8C0C	4				
28-880A		WASHER, STOP	RONDELLE D'ARRET		
NA01-28-880C	2				
34-091		NUT	ECROU		
FB01-34-091A	4				
34-222		NUT	ECROU		
8871-34-222	6				
39-037		NUT	ECROU		
B001-39-037B	8				



PART NO.	QTY	MODEL/RESTRICTION	MODEL/RESTRICTION	MODEL/RESTRICTION	FROM-TO
32-9L1		CAP	BOUCHON		
BC1D-32-9L1	2				
32-9YX		HARNES, ST. WHEEL BO SS	HARNAIS, BOSSAGE V. DI RECT		
B25E-32-9YX	1	(LEATHER WHEEL 'A-TYP E')			
NC10-32-9YX	1	(WOOD WHEEL) (LEATHER WHEEL 'E-TYP E')			
		(LEATHER WHEEL 'F-TYP E')			
32-980		BOSS, STEERING WHEEL	VOLANT		
B25H-32-980A	1	BLACK (LEATHER WHEEL 'A-TYP E')	BLACK		
NC75-32-980	1	BLACK/GREY (LEATHER WHEEL 'F-TYP E')	BLACK/GREY		
N066-32-980	1	(WOOD WHEEL)			
N070-32-980	1	BLACK/BROWN (LEATHER WHEEL 'E-TYP E')	BLACK/BROWN		
57-K00		MODULE, AIR BAG	MODULE, SAC AIR		
B28V-57-K00	1				-1601
B28V-57-K00A	1				1601-
00	INT-	NB3 NB4 NB9 BLACK	NB3 NB4 NB9 NOIR		

1601 NB35**-219011

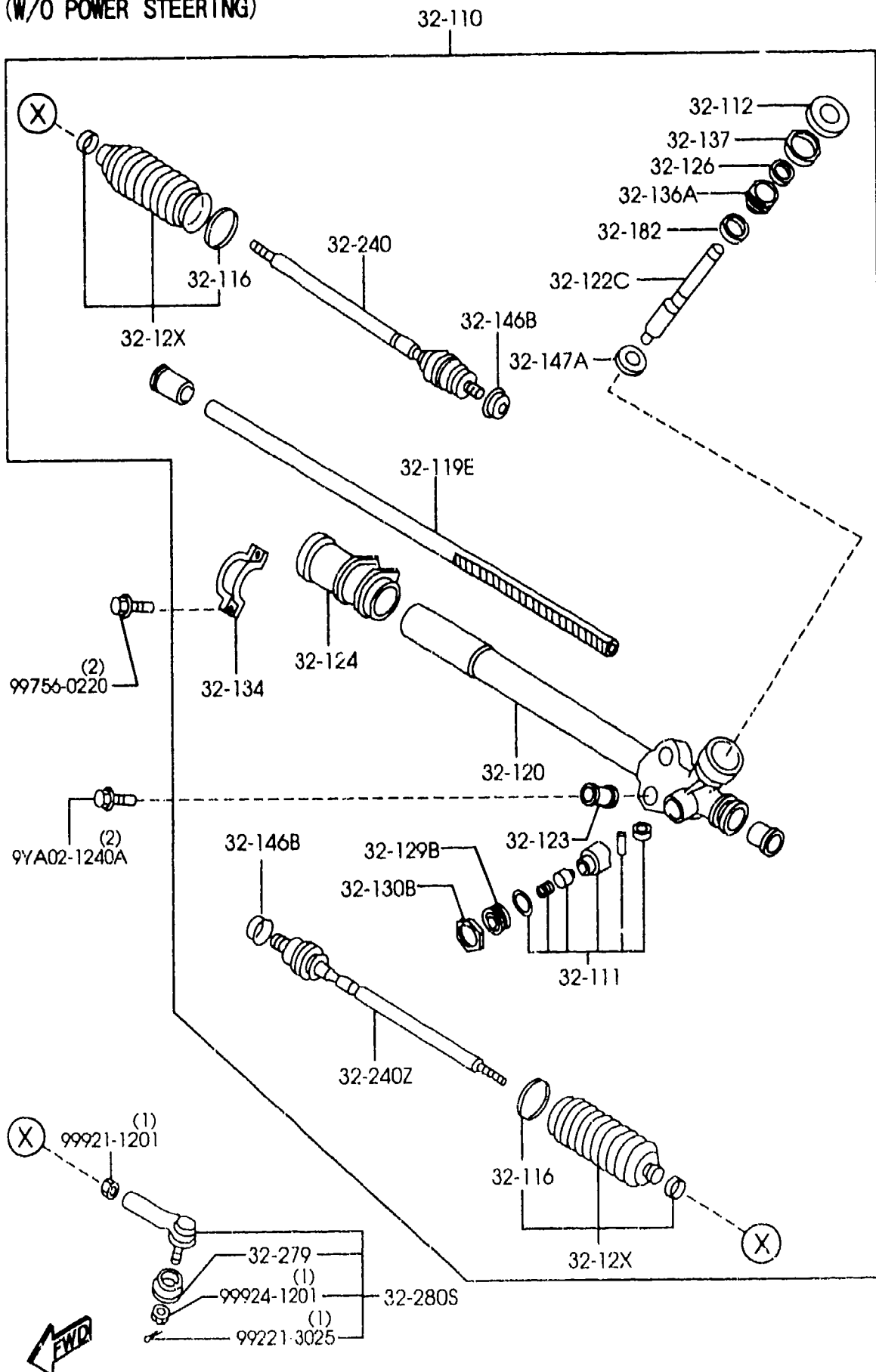
3210A STEERING COLUMN & SHAFTS



PART NO.	QTY	MODEL/RESTRICTION	MODEL/RESTRICTION	MODEL/RESTRICTION	FROM-TO
32-AZ1 NA75-32-AZ1	1	COVER, JOINT-UPPER	COUVERCLE, JOINT-SUP.		
32-AZ2 NA01-32-AZ2A	1	COVER, JOINT-LOWER	COUVERCLE, JOINT-INF.		
32-090B NC10-32-090D	1	SHAFT, INTERMED.	ARBRE INTERMEDIAIRE		
32-099 B455-32-099A	3	BOLT, SHAFT	BOULON, ARBRE		
32-100 NC10-32-100D	1	SHAFT, ENGY. ABSORBER	COLONE TELESCOPIQUE		
32-210 NC10-32-210	1	COVER, DUST	COUVERCLE, ARBRE DIRECTION		
32-217 NA01-32-217	1	GROMMET	ANHEAU		
32-850 NC10-32-850	1	JOINT, STEERING	JOINT, DIRECTION		

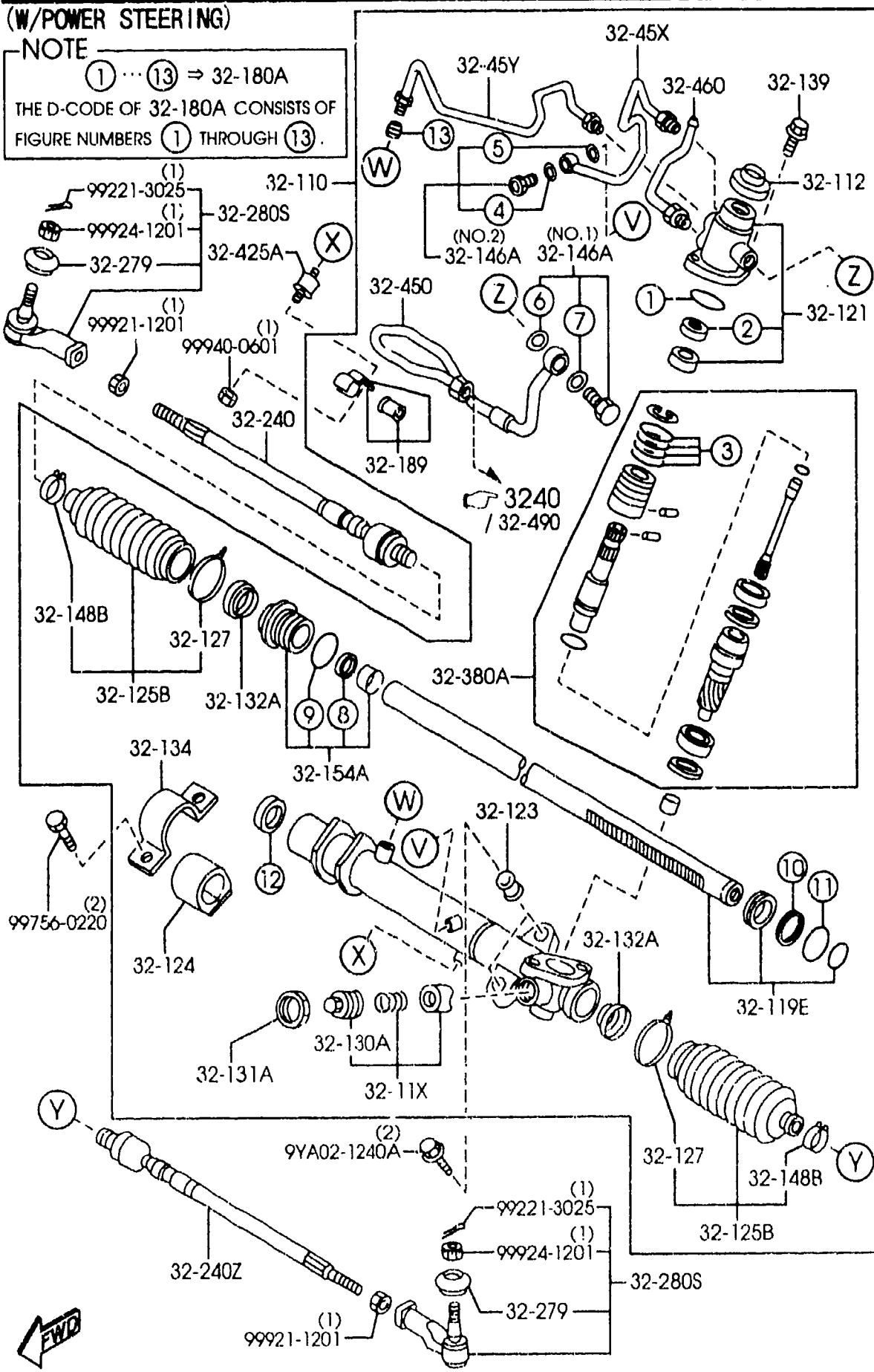


(W/O POWER STEERING)

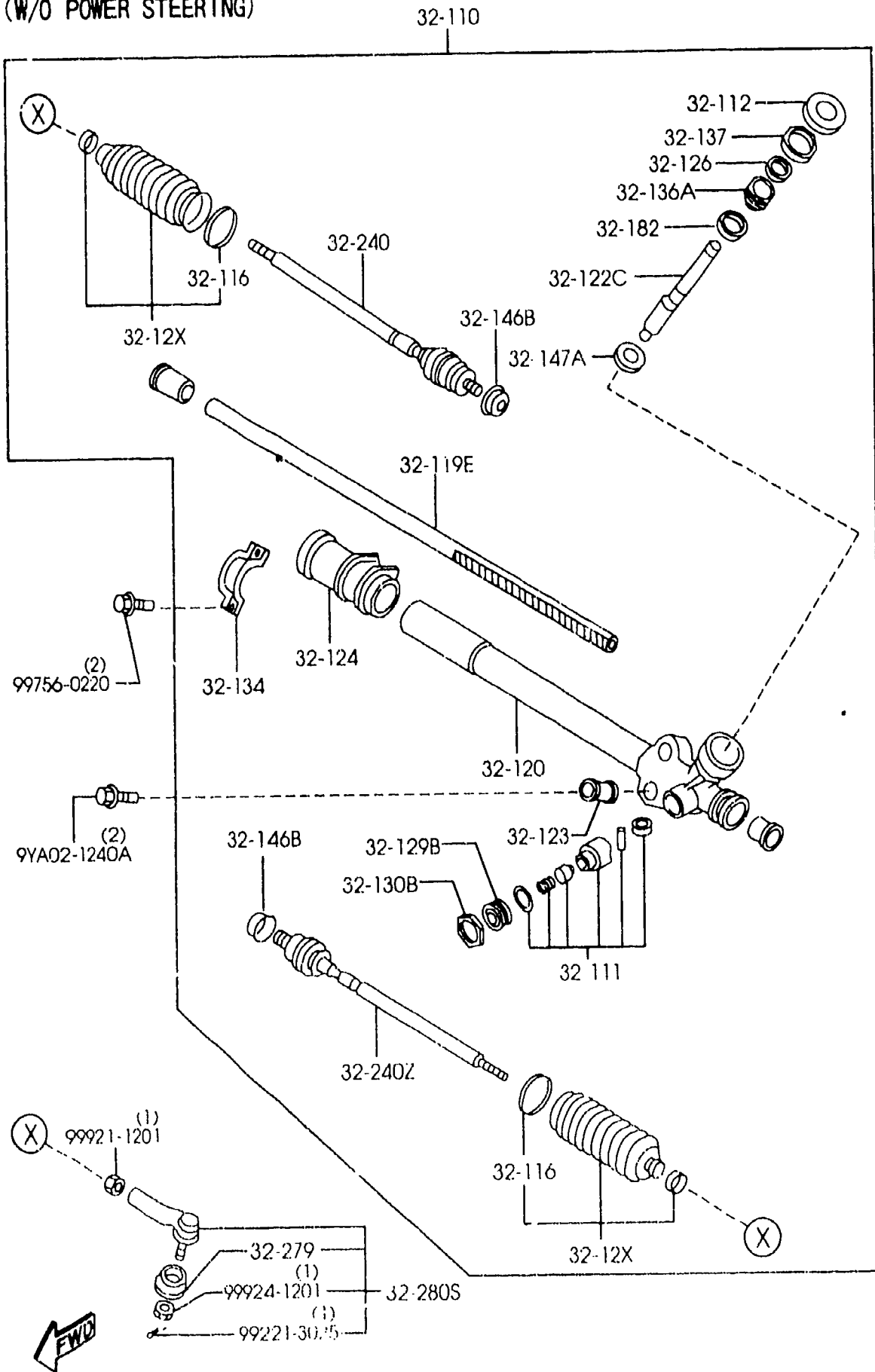


(W/POWER STEERING)

NOTE
 ① ... ⑬ ⇒ 32-180A
 THE D-CODE OF 32-180A CONSISTS OF
 FIGURE NUMBERS ① THROUGH ⑬.



(W/O POWER STEERING)



PART NO.	QTY	MODEL/RESTRICTION	MODEL/RESTRICTION	MODEL/RESTRICTION	FROM-TO
32-11X		YOKE SET, SUPPORT-ST. GEAR	JEU ETRIER, SUPPORT		
NC10-32-11XA	1	(W/POWER STEERING)			
32-110		GEAR, STEERING	BOITIER, DIRECTION		
NC10-32-110G	1				-0C11
A (NC10-32-110H)					
NC10-32-110H	1	(W/POWER STEERING)			0C11-
NC11-32-110A	1	(W/O POWER STEERING)			1301-
32-111		YOKE, SUPPORT	CHAPE, SUPPORT		
GJ21-32-111	1	(W/O POWER STEERING)			1301-
32-112		COVER, DUST	COUVERCLE PARE-POUSSIERE		
NC10-32-112	1	(W/POWER STEERING)			
NC11-32-112	1	(W/O POWER STEERING)			1301-
32-116		CLIP, SEAL	ATTACHE		
BF67-32-116	2	(W/O POWER STEERING)			1301-
32-119E		RACK, STEERING GEAR	CREMAILIERE		
NC10-32-119	1	(W/POWER STEERING)			
NA01-32-119	1	(W/O POWER STEERING)			1301-
32-12X		BOOT SET, ST. GEAR	JEU SOUFLET, BOITE DIRECT.		
NA01-32-12X	2	(W/O POWER STEERING)			1301-
32-120		HOUSING, GEAR	BOITIER, ENGRENAGES		
NC11-32-120	1	(W/O POWER STEERING)			1301-
32-121		HOUSING, VALVE-ST. GEAR	CARTER, SOUPAPE-MEC. DIR.		
NC10-32-126	1	(W/POWER STEERING)			
32-122C		PINION, STEERING GEAR	PISTON		
NA01-32-122	1	(W/O POWER STEERING)			1301-

0C11 NB35*-207679
1301 NB35*-213465

3220A STEERING GEAR

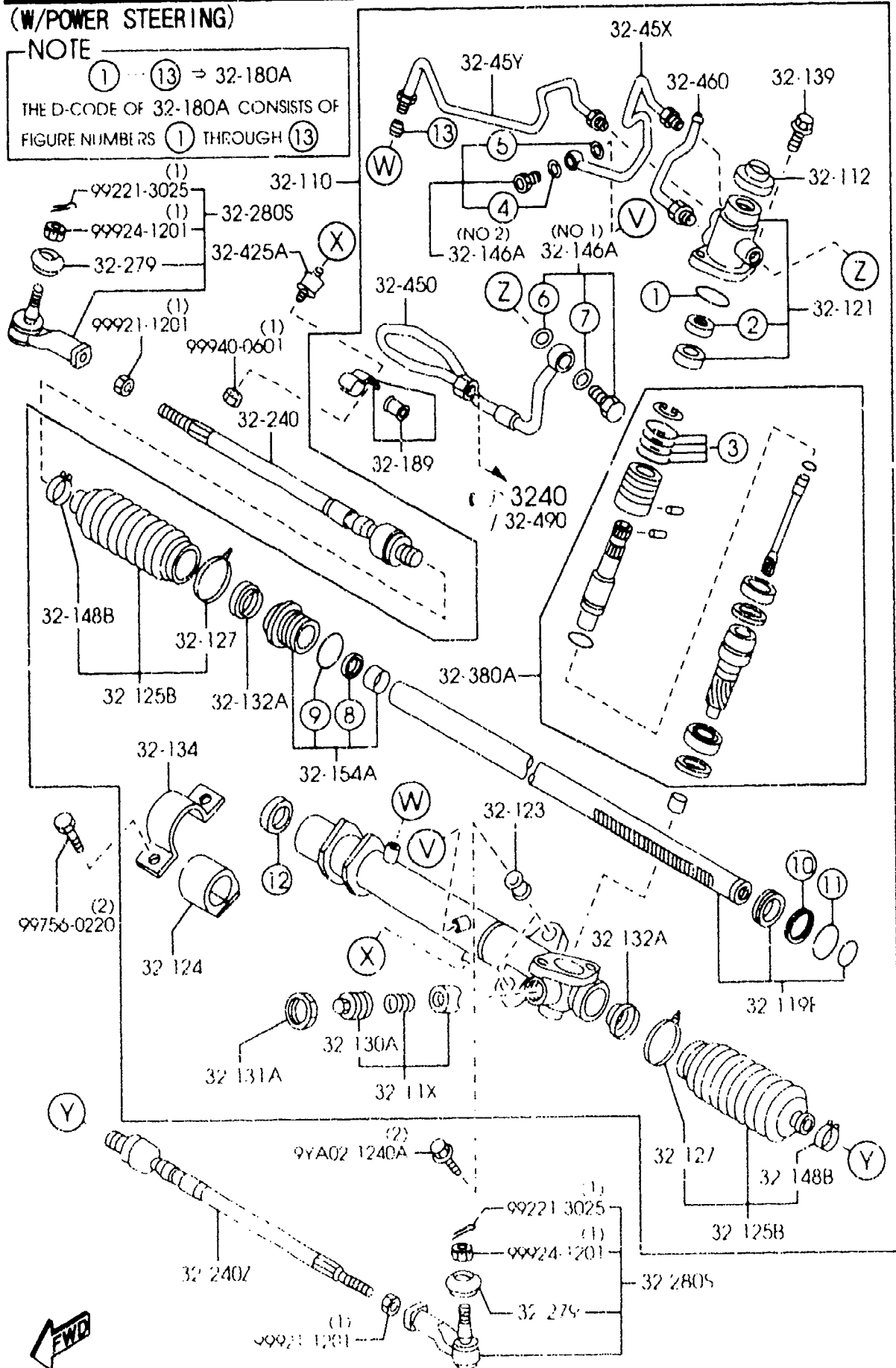
(2/2)

(W/POWER STEERING)

NOTE

① - ⑬ ⇒ 32-180A

THE D-CODE OF 32-180A CONSISTS OF FIGURE NUMBERS ① THROUGH ⑬



3220A -2 STEERING GEAR

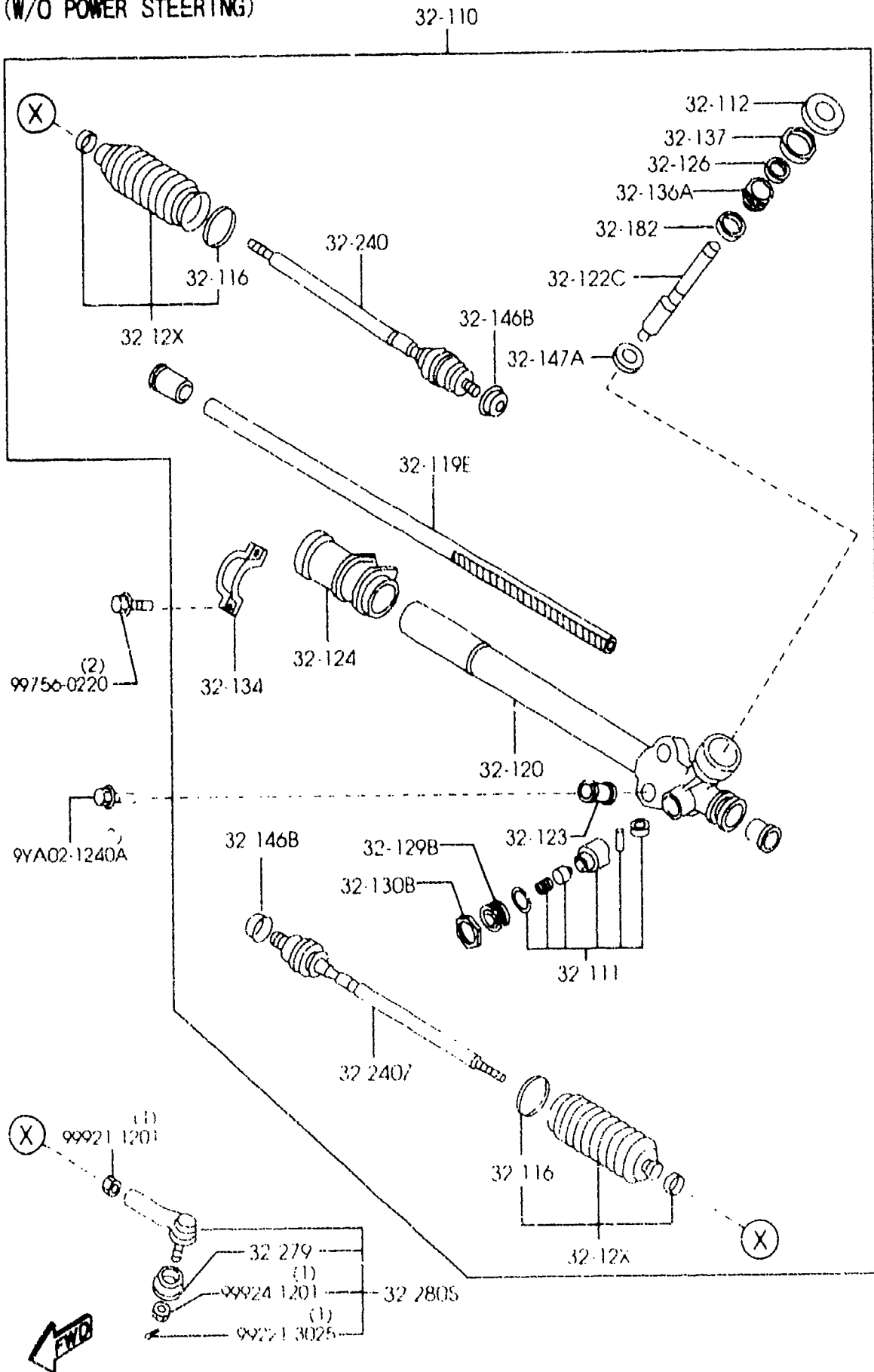
PART NO.	QTY	MODEL/RESTRICTION	MODEL/RESTRICTION	MODEL/RESTRICTION	FROM-TO
32-123		RUBBER, MOUNTING	CAOUTCHOUC DE FIXATION		
NC10-32-123	2				
32-124		RUBBER, MOUNTING	CAOUTCHOUC DE FIXATION		
NC10-32-124	1 (W/POWER STEERING)				
NC11-32-124	1 (W/O POWER STEERING)				1301-
32-125B		BOOT, RACK	COIFFE		
NC10-32-125	2 (W/POWER STEERING)				
32-126		SEAL, SHAFT	JOINT, ARBRE		
GJ21-32-126	1 (W/O POWER STEERING)				1301-
32-127		CLIP, WIRE	CLIP, FIL		
B456-32-127	2 (W/POWER STEERING)				
G030-32-127	2 (W/O POWER STEERING)				1301-
32-129B		PLUG, PINION	BOUCHON, PIGNON		
HE01-32-129	1 (W/O POWER STEERING)				1301-
32-130A		PLUG, ADJUSTING-STEERING	FICHE, REGLAGE ET DIRECT.		
B456-32-130	1 (W/POWER STEERING)				
32-130B		NUT, LOCK	ECROU DE BLOCAGE		
S083-32-137	1 (W/O POWER STEERING)				1301-
32-131A		NUT, LOCK-RACK	ECROU, SERRURE ETAGERE		
B456-32-131	1 (W/POWER STEERING)				
32-132A		WASHER	RONDELLE		
B456-32-132	2 (W/POWER STEERING)				
32-134		PLATE, CLAMP	PLAQUE DE SERRAGE		
NC10-32-134	1				
32-136A		COVER, REAR	CACHE		
GJ21-32-136	1 (W/O POWER STEERING)				1301-

1301 NB35**-213465

3220A STEERING GEAR

(W/O POWER STEERING)

(1/2)



3220A -3 STEERING GEAR

PART NO.	QTY	MODEL/RESTRICTION	MODEL/RESTRICTION	MODEL/RESTRICTION	FROM-TO
32-137	1	NUT, LOCK	ECROU DE SERRAGE		
GJ21-32-137	1	(W/O POWER STEERING)			1301-
32-139	2	BOLT	BOULON		
3038-32-139	2	(W/POWER STEERING)			
32-146A	1	BOLT SET, CONNECTOR	JEU DE BOULONS		
BC54-32-146	1	(ILLUST. NO.1) (W/POWER STEERING)			
B093-32-146	1	(ILLUST. NO.2) (W/POWER STEERING)			
32-146B	2	WASHER	RONDELLE		
HA14-32-146	2	(W/O POWER STEERING)			1301-
32-147A	1	BEARING, PINION	ROULEMENT		
G030-32-147	1	(W/O POWER STEERING)			1301-
32-148B	2	CLIP	ATTACHE		
B046-32-127	2	(W/POWER STEERING)			
32-154A	1	HOLDER, STEERING GEAR	SUPPORT, BOITE DIRECT ION.		
NC10-32-154	1	(W/POWER STEERING)			
32-180A	1	SEAL KIT, ST. GEAR	OUTILS JOINT, BOITE D IRECT		
NC10-32-180	1	(W/POWER STEERING)			
32-182	1	BEARING	ROULEMENT		
0159-32-182	1	(W/O POWER STEERING)			1301-
32-189	1	CLAMP	CRAMPON		
NC10-32-188	1	(W/POWER STEERING)			
32-240	1	JOINT(R), BALL	ROTULE(D)		
NC10-32-240 A (NC10-32-240A)	1				-0C11
NC10-32-240A	1	(W/POWER STEERING)			0C11-
NA01-32-240	1	(W/O POWER STEERING)			1301-

0C11 NB35**-207679
1301 NB35**-213465

3220A STEERING GEAR

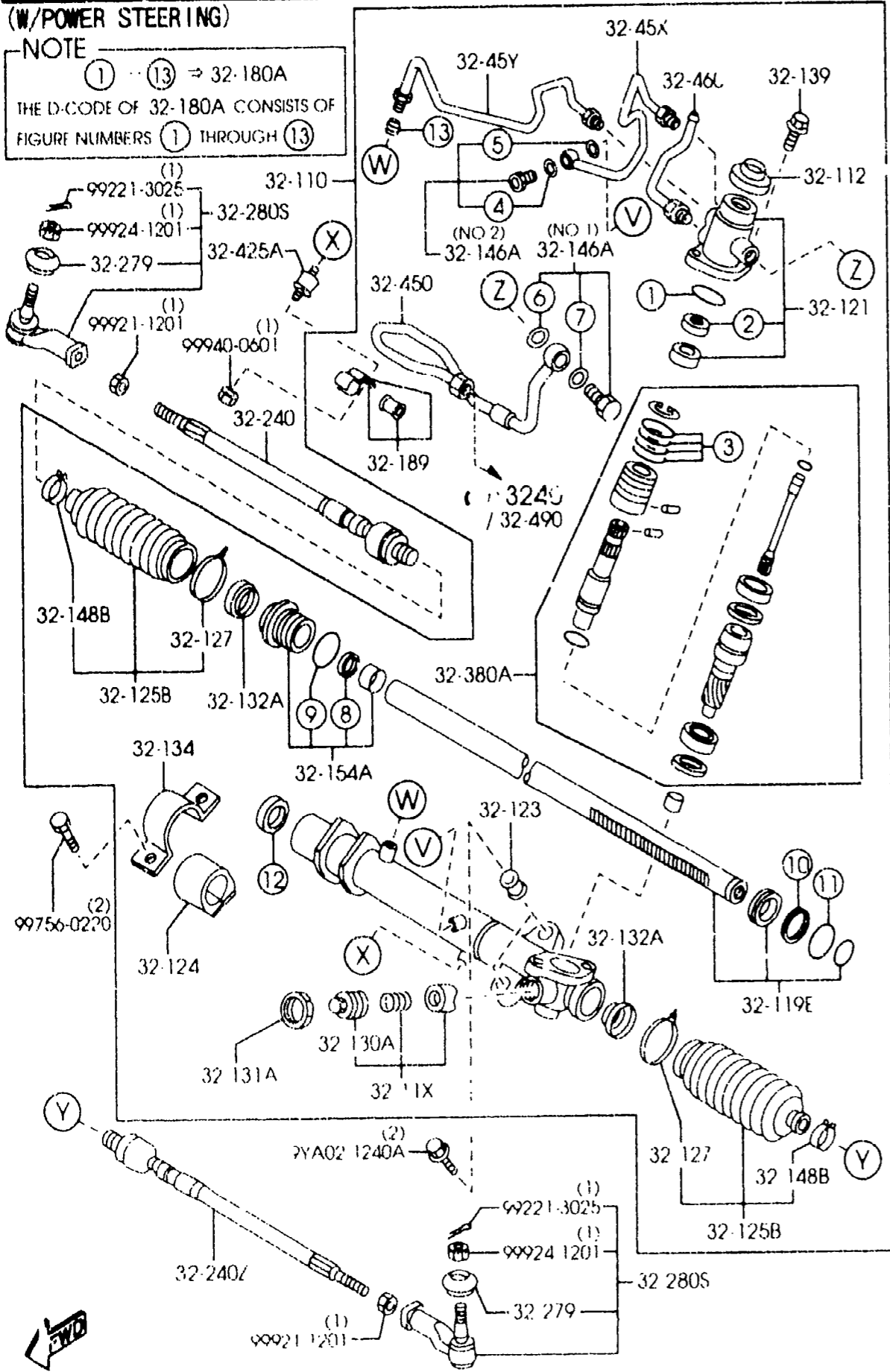
(2/2)

(W/POWER STEERING)

NOTE

① - ⑬ ⇒ 32-180A

THE D-CODE OF 32-180A CONSISTS OF FIGURE NUMBERS ① THROUGH ⑬

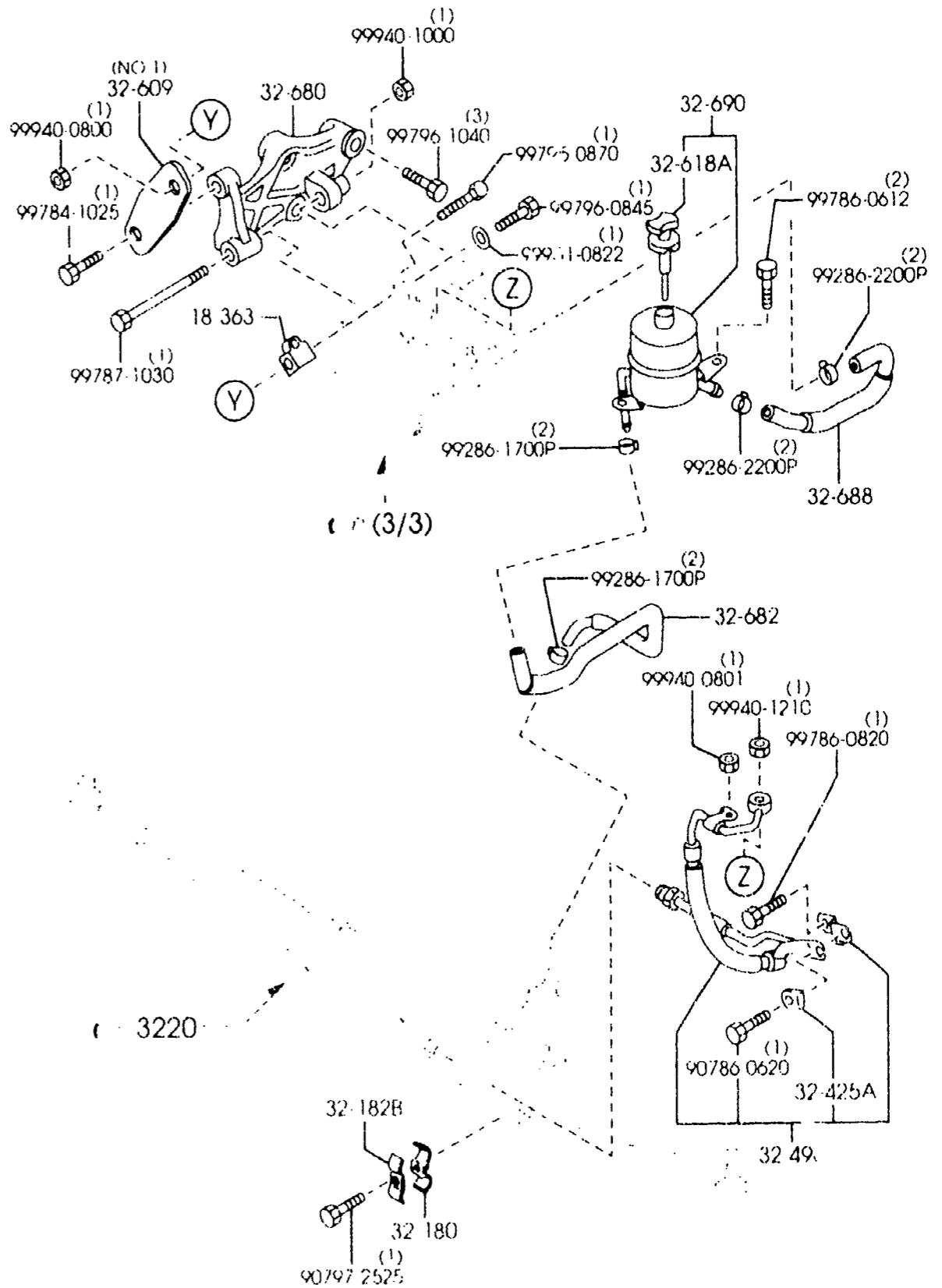
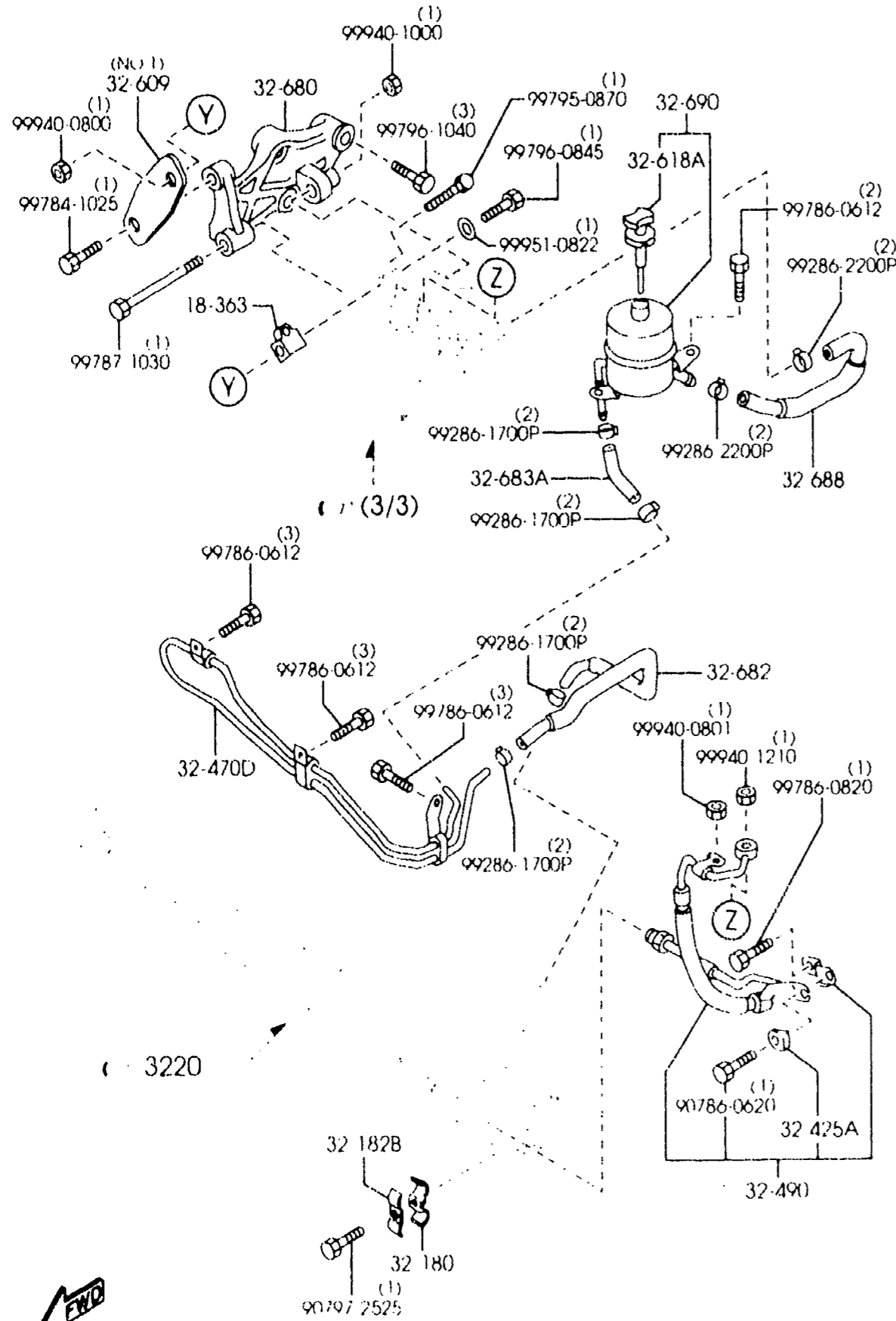


3220A -4 * STEERING GEAR

PART NO.	QTY	MODEL/RESTRICTION	MODEL/RESTRICTION	MODEL/RESTRICTION	FROM-TO
32-240Z		JOINT(L), BALL	JOINT(G), BILLE		
NC10-32-250 A (NC10-32-250A)	1				-0C11
NC10-32-250A	1	(W/POWER STEERING)			0C11-
NA01-32-240	1	(W/O POWER STEERING)			1301-
32-279		SEAL, DUST-BALL JOINT	CACHE-POUSSIÈRE		
B455-32-279	2				
32-280S		JOINT SET, BALL	JEU DE ROTULES DIRECTI ON		
BAN1-32-280	2				
32-380A		VALVE, ST. GEAR	SOUPAPE		
NC10-32-380A	1	(W/POWER STEERING)			
32-425A		RUBBER, MOUNTING	CAOUTCHOUC, MONTAGE		
H267-32-425	1	(W/POWER STEERING)			
32-45X		PIPE(R), RETURN-PRESS URE	CONDUIT, RESSORT-PRES SION		
NC10-32-45X	1	(W/POWER STEERING)			
32-45Y		PIPE(L), RETURN-PRESS URE	CONDUIT, RESSORT-PRES SION		
NC10-32-45Y	1	(W/POWER STEERING)			
32-450		PIPE, PRESSURE	TUYAU DE PRESSION		
NC10-32-450	1	(W/POWER STEERING)			
32-460		PIPE NO.2, PRESSURE	TUYAU DE PRESSION NO 2		
NC10-32-460	1	(W/POWER STEERING)			
0C11 NB35*-207679 1301 NB35*-213465					

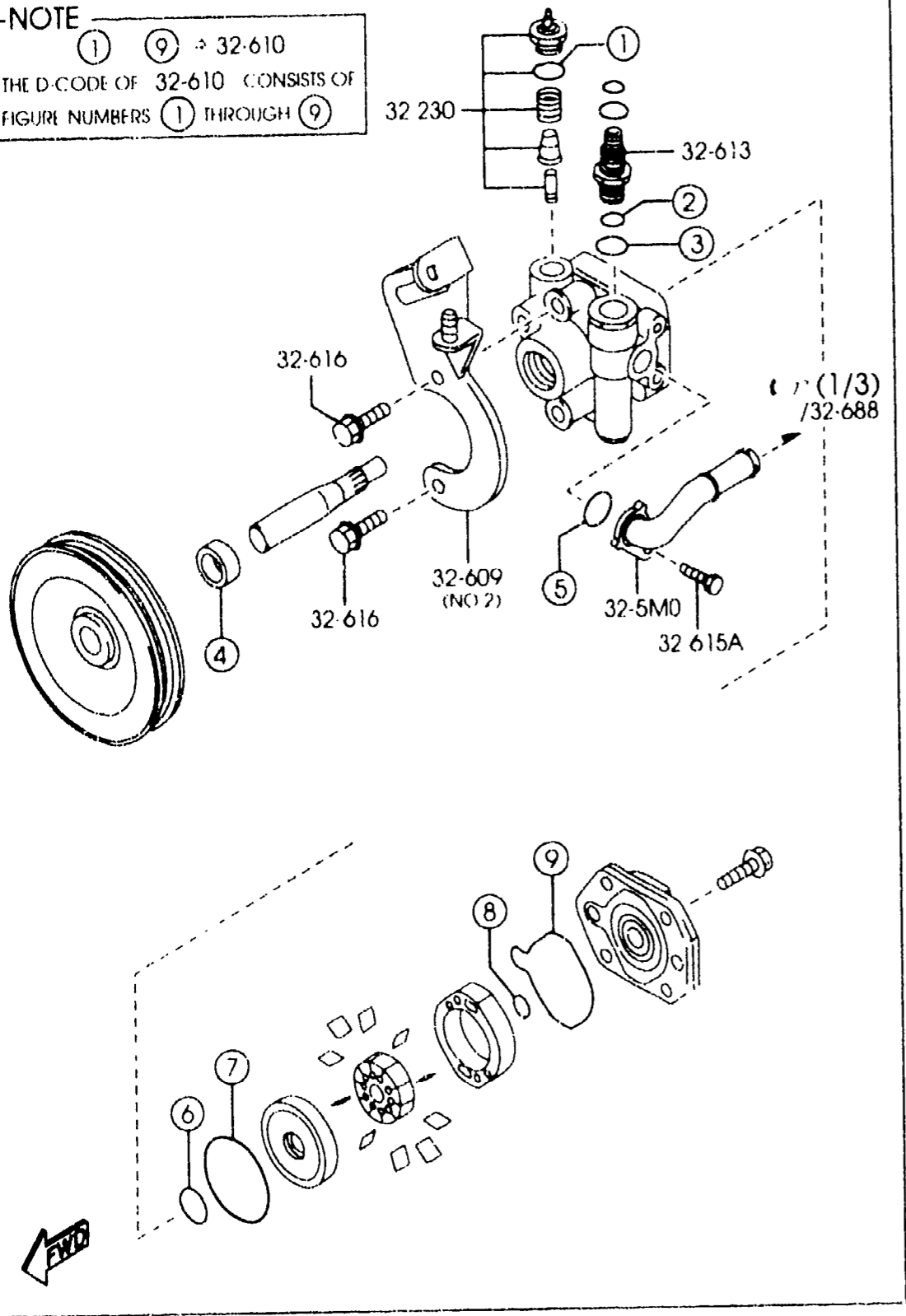
(MT)

(AT)

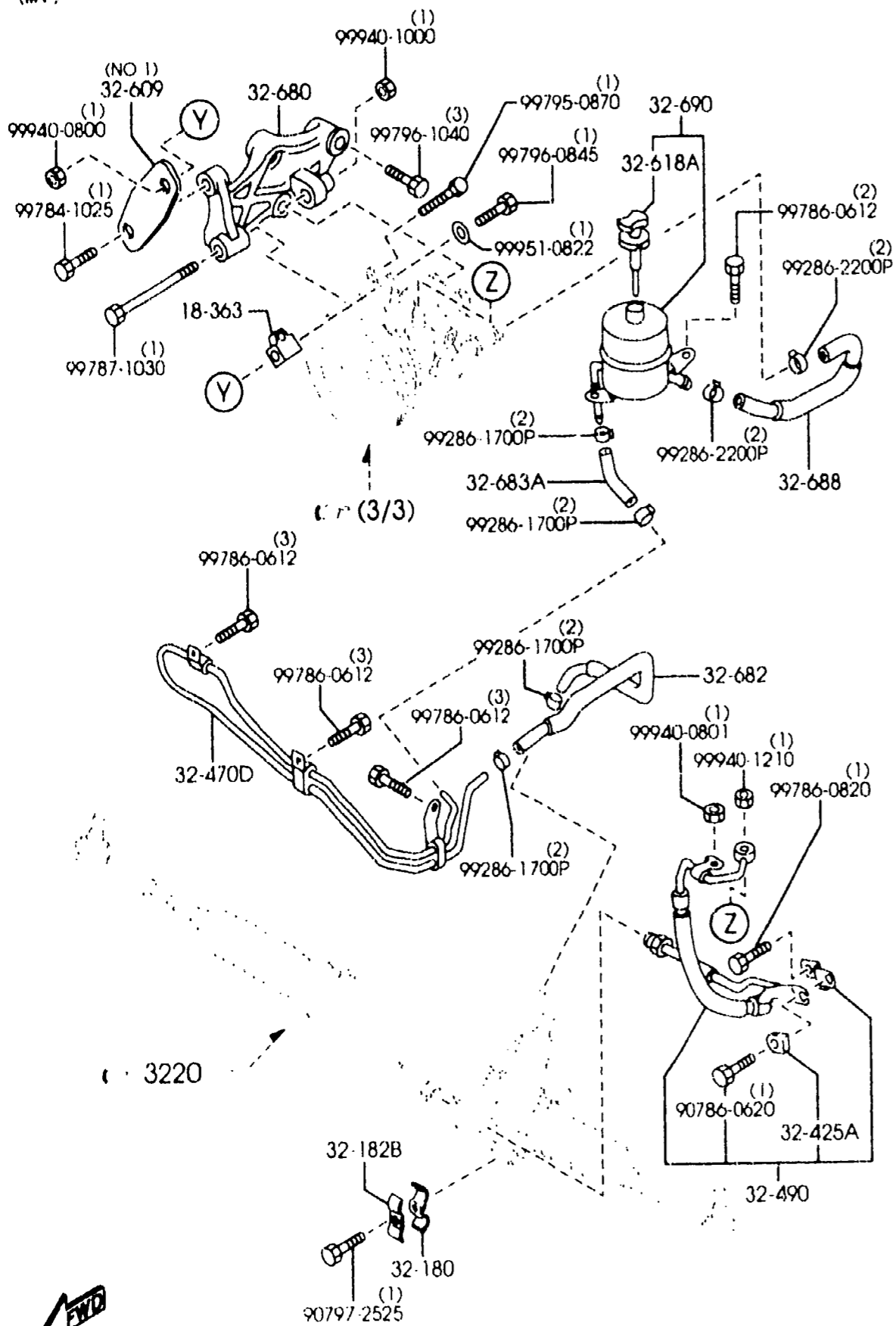


32-600

NOTE
① ⑨ = 32-610
THE D-CODE OF 32-610 CONSISTS OF
FIGURE NUMBERS ① THROUGH ⑨



(MT)

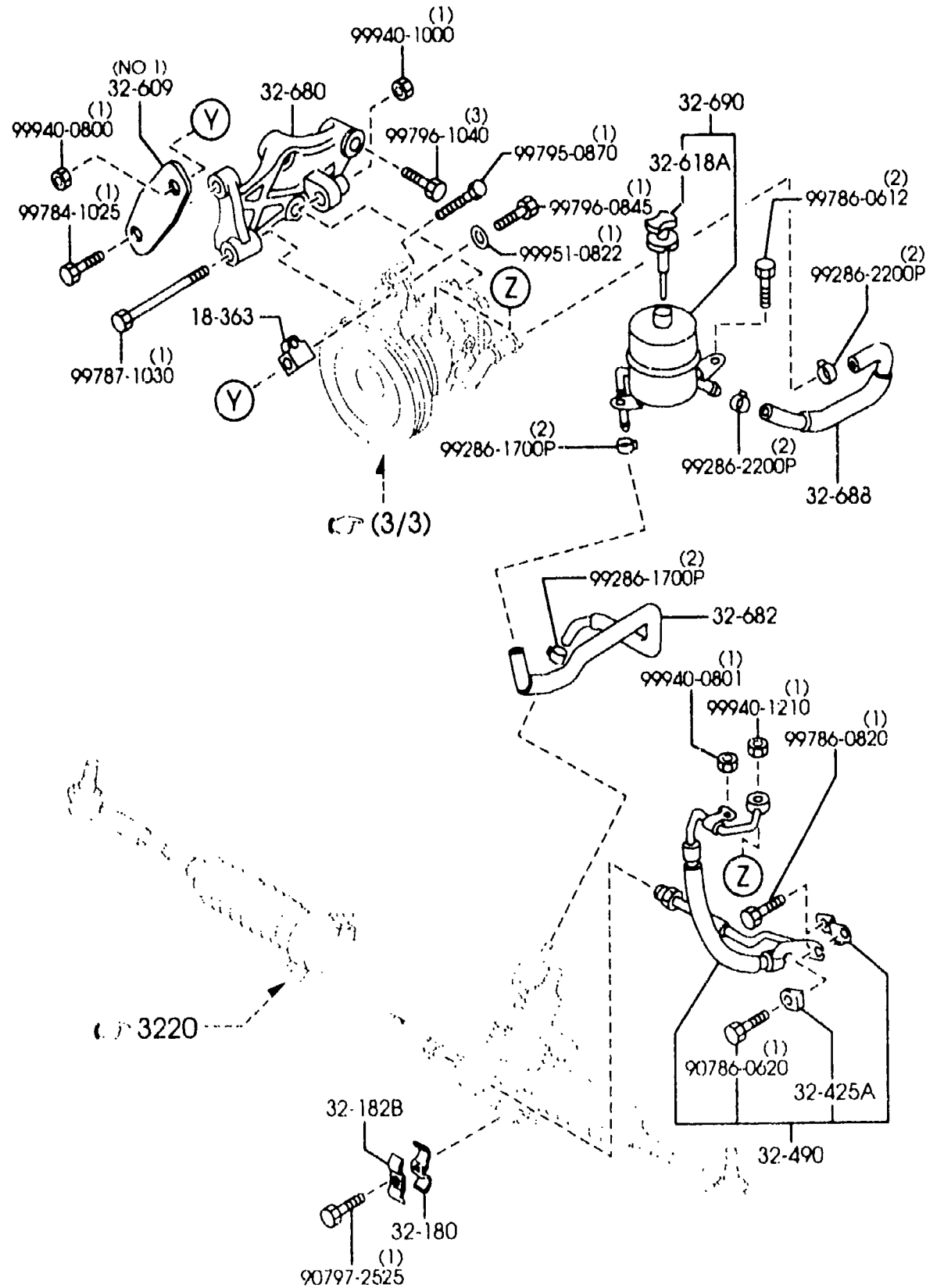


PART NO.	QTY	MODEL/RESTRICTION	MODEL/RESTRICTION	MODEL/RESTRICTION	FROM-TO
18-363 FP02-18-363	1	SPACER, STRAP	ENTRETOISE,		
32-180 UC87-32-18X	1	CLIP, PIPE-P.S.	COLLIER, TUYAU-UOLAT S-DIR		
32-182B UC87-32-182	1	CLIP, PIPE-P.S.	ECROU DE BLOCAGE		
32-230 B456-32-230C	1	SENSOR, STEERING PRES SURE	COMMUTATEUR		
32-425A BC1D-32-425	1	RUBBER, MOUNTING MOLTEN	CAOUTCHOUC, MONTAGE MOLTEN		
32-470D NC10-32-470A	1	PIPE, COOLING (MT)	TUYAU, REFROIDISSEMENT (B.V.MANU)		
32-490 N066-32-490	1	HOSE, PRESSURE	TUYAU DE PRESSION		
32-5M0 N002-32-5M0A	1	PIPE, SUCTION	TUYAU, ASPIRATION		
32-600 NC10-32-600B	1	PUMP, VANE	POMPE A PALETTES		
32-609 NC10-32-609	1	BACKET, VANE PUMP (ILLUST. NO.1)	SUPPORT, POMPE AILETT E		
32-609A NC11-32-609A	1	(ILLUST. NO.2)			
32-610 B456-32-610A	1	SEAL KIT, VANE PUMP	OUTILS JOINT, POMPE A ILETT		
32-613 B456-32-613A	1	NIPPLE, VANE PUMP	GRAISSEUR		
32-615A B456-32-615A	1	BOLT	BOULON		

3240A POWER STEERING SYSTEM

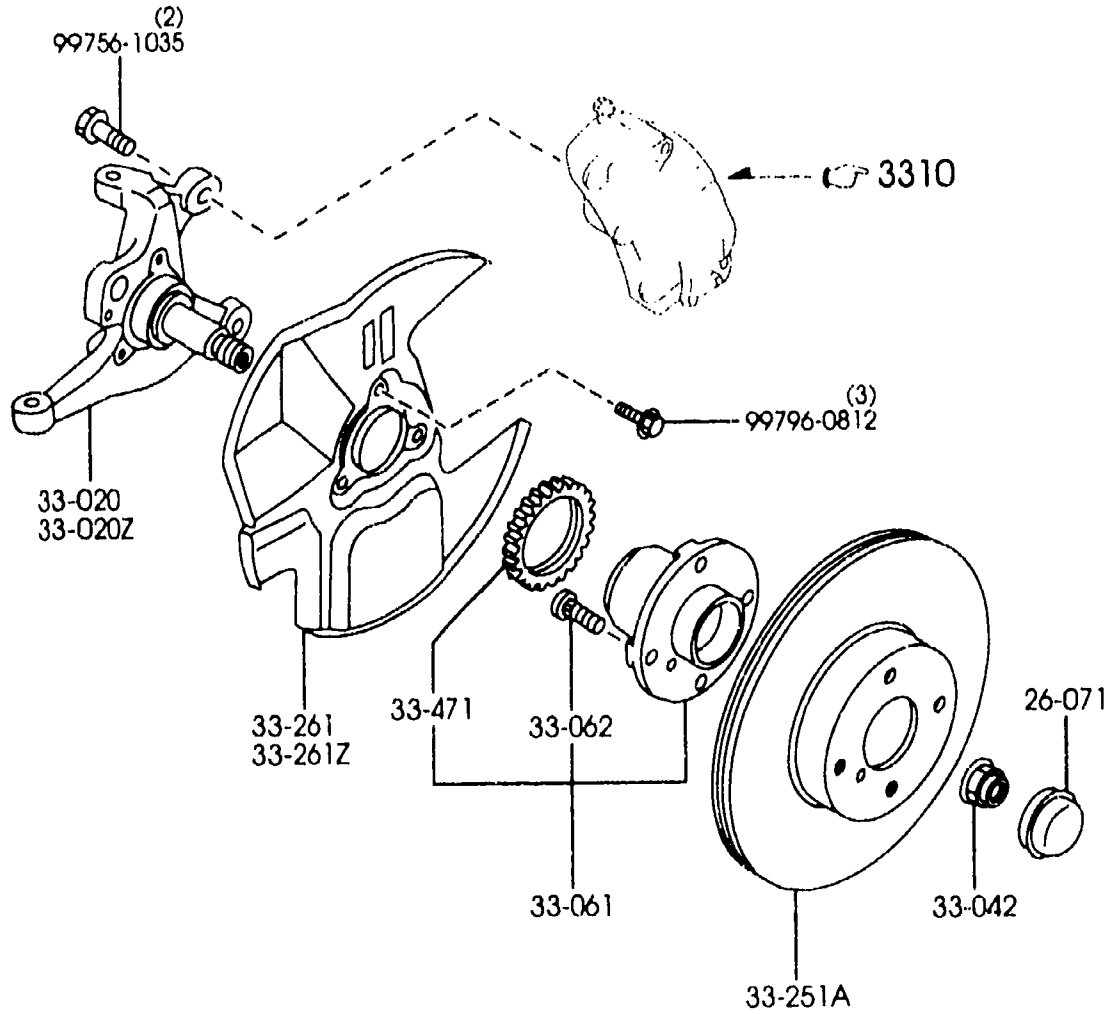
(2 / 3)

(AT)



3240A -2 * POWER STEERING SYSTEM

PART NO.	QTY	MODEL/RESTRICTION	MODEL/RESTRICTION	MODEL/RESTRICTION	FROM-TO
32-616		BOLT, VANE PUMP	BOULON		
B456-32-616	2				
32-618A		CAP, VANE PUMP TANK	CAPUCHON, RESERV. P. PAL.		
NC10-32-691	1				
32-680		BRACKET, VANE PUMP	SUPPORT, POMPE		
NA02-32-680	1				
32-682		HOSE, RETURN	DURITE		
NC10-32-682	1 (MT)		(B.V. MANU)		
NC13-32-682A	1 (AT)		(B.V. AUTOM)		
32-683A		HOSE, RETURN	TUYAU DE RETOUR		
NC10-32-683	1 (MT)		(B.V. MANU)		
32-688		HOSE, SUCTION	FLEXIBLE ASPIRATION		
NC10-32-688	1				
32-690		TANK, VANE PUMP	RESERVOIR		
NC10-32-690C	1				

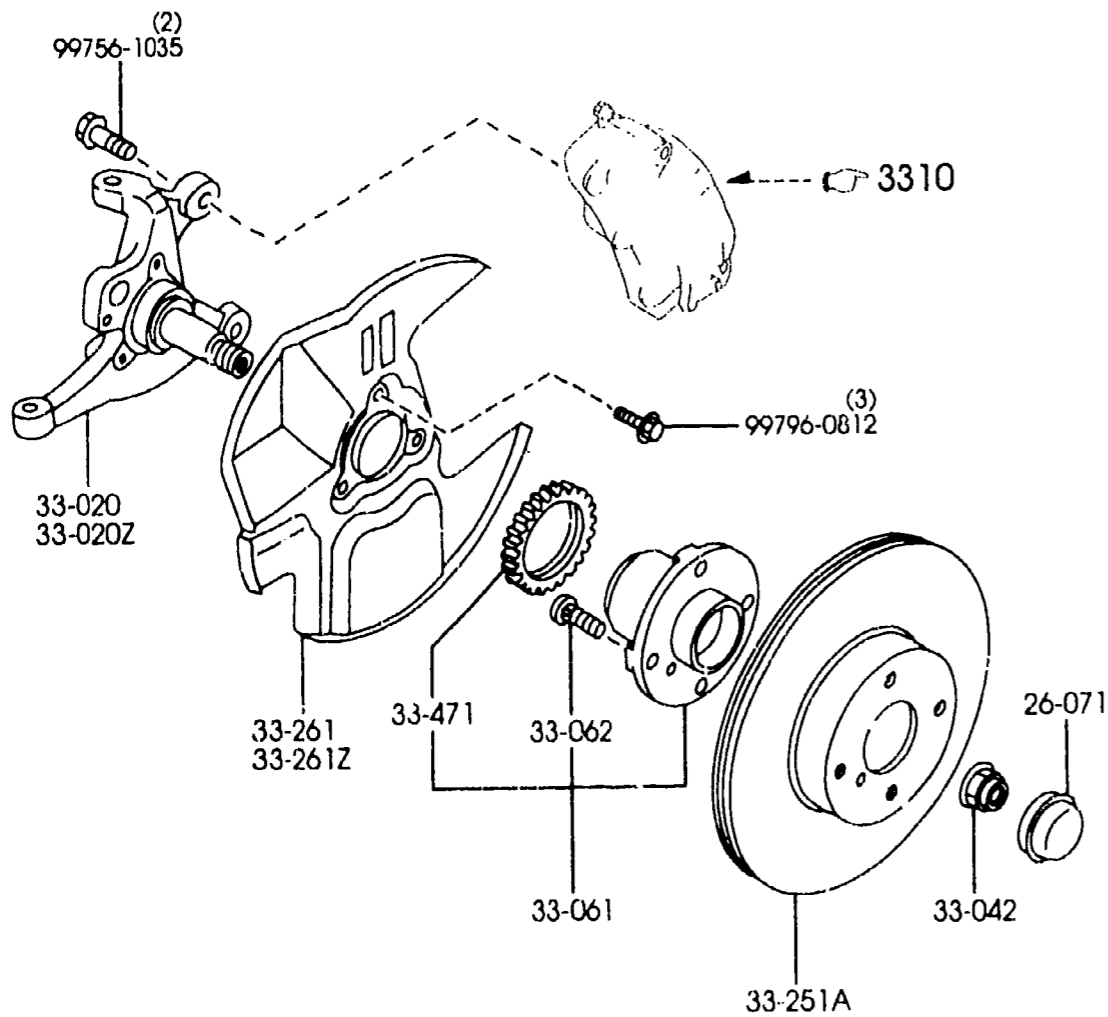


PART NO.	QTY	MODEL/RESTRICTION	MODEL/RESTRICTION	MODEL/RESTRICTION	FROM-TO
26-071 B455-26-071	2	CAP,HUB	BOUCHON,MOYEN		
33-020 NC10-33-021A	1	KNUCKLE(R),STEERING (W/O A. LOCK BRAKE)	PORTE-FUSEE(D) (S/SYST ANTIBLOC)		-0C01
NC14-33-021A C (NC14-33-021B)	1	(W/A. LOCK BRAKE)	(SYST ANTIBLOC)		
NC14-33-021B	1	(W/A. LOCK BRAKE)	(SYST ANTIBLOC)		0C01-
33-020Z NC10-33-031A	1	KNUCKLE(L),STEERING (W/O A. LOCK BRAKE)	PORTE-FUSEE(G) (S/SYST ANTIBLOC)		-0C01
NC14-33-031A C (NC14-33-031B)	1	(W/A. LOCK BRAKE)	(SYST ANTIBLOC)		
NC14-33-031B	1	(W/A. LOCK BRAKE)	(SYST ANTIBLOC)		0C01-
33-042 D06Y-33-042	2	NUT W/WASHER	ECROU W/WASHER		
33-061 NA01-33-04X	2	HUB,WHEEL (W/O A. LOCK BRAKE)	MOYEU,ROUE AV (S/SYST ANTIBLOC)		
NA23-33-04XA	2	(W/A. LOCK BRAKE)	(SYST ANTIBLOC)		
33-062 B455-33-062	8	BOLT,HUB	BOULON,JEU		
33-251A N0YY-33-25X	2	PLATE,DISC (HARD SUSP) (SPORT SUSP)	DISQUE DE FREIN (SUSP.FERM) (SUSP.SPORTIVE)		-0918
N026-33-25XC	2	(NOR. SUSP)	(SUSP.NRML)		-0918
33-261 NA75-33-261	1	COVER(R),DUST (NOR. SUSP)	CACHE (SUSP.NRML)		
N037-33-261A	1	(HARD SUSP) (SPORT SUSP)	(SUSP.FERM) (SUSP.SPORTIVE)		0918-
NC82-33-260A	1	(HARD SUSP) (SPORT SUSP)	(SUSP.FERM) (SUSP.SPORTIVE)		0918-
NC85-33-260A	1	(NOR. SUSP)	(SUSP.NRML)		
33-261Z NA75-33-271	1	COVER(L),DUST (NOR. SUSP)	CACHE (SUSP.NRML)		-0918
NC14-33-021A		0918 NB35**-204397			
C NC14-33-021B		0C01 NB35**-207195			
99796-0816					
NC14-33-031A					
C NC14-33-031B					
99796-0816					



3300A FRONT AXLE

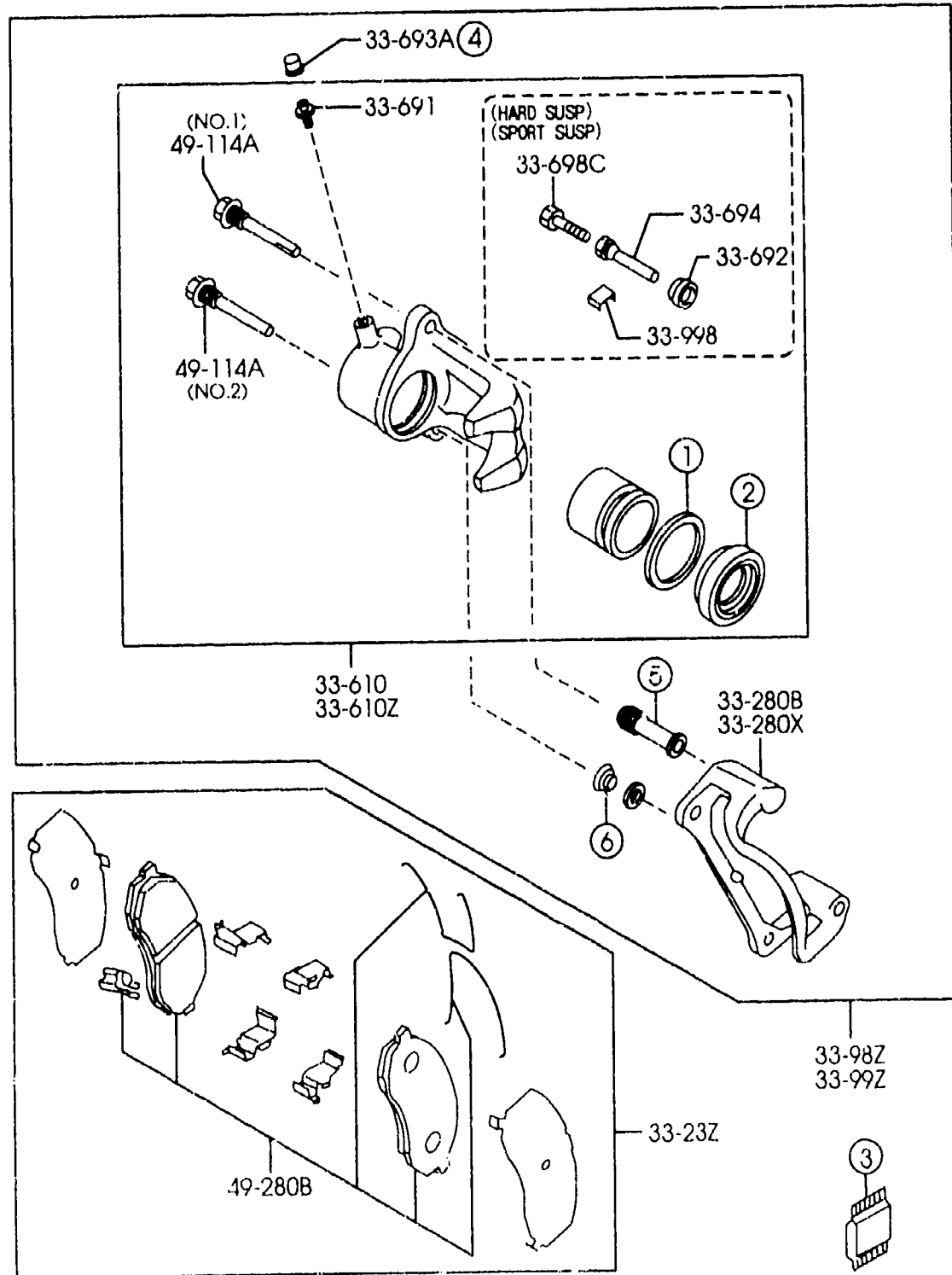
3300A -2 * FRONT AXLE



PART NO.	QTY	MODEL/RESTRICTION	MODEL/RESTRICTION	MODEL/RESTRICTION	FROM-TO
CONT'D N067-33-271A	1	(HARD SUSP) (SPORT SUSP)	(SUSP. FERM) (SUSP. SPORTIVE)		-0918
NC02-33-270A	1	(HARD SUSP) (SPORT SUSP)	(SUSP. FERM) (SUSP. SPORTIVE)		0918-
NC05-33-270A	1	(NOR. SUSP)	(SUSP. HRML)		0918-
33-471		ROTOR, SENSOR-FRT A. B	ROTOR, SENSOR-AVANT.		
NA23-33-471B	2	(W/A. LOCK BRAKE)	(SYST ANTIBLOC)		

0918 N835**-204397





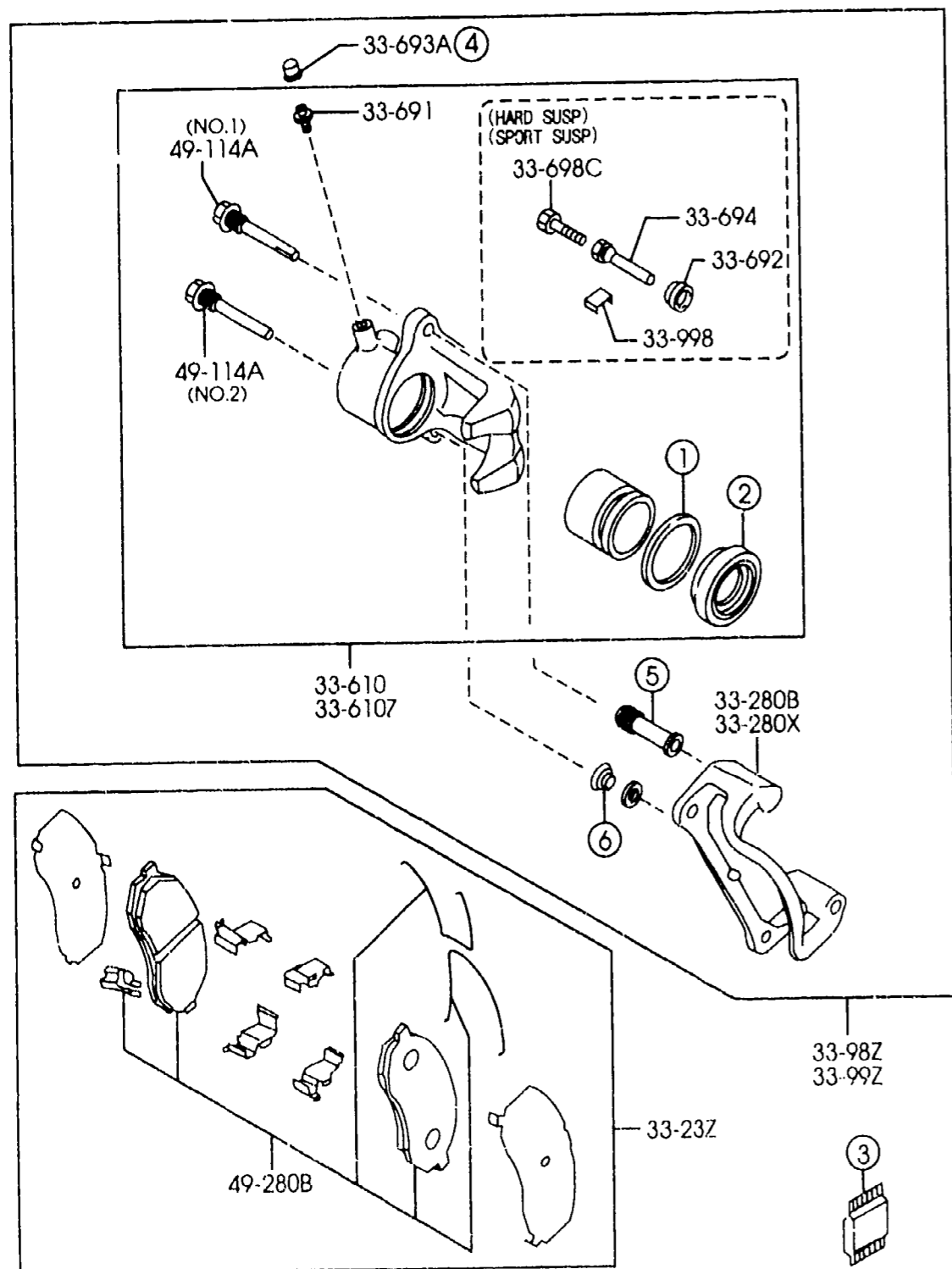
NOTE
 ① ... ⑥ ⇒ 33-26Z
 THE D-CODE OF 33-26Z CONSISTS OF
 FIGURE NUMBERS ① THROUGH ⑥.



THOUGH ILLUSTRATIONS OF D CODE 33-23Z, 33-26Z AND 49-280B ARE FOR LEFT SIDE ONLY. QUANTITIES OF THESE D-CODES IN THE TEXT ARE FOR ONE VEHICLE.

PART NO.	QTY	MODEL/RESTRICTION	MODEL/RESTRICTION	MODEL/RESTRICTION	FROM-TO
33-23Z NOY3-33-23Z NOY9-33-23Z	1	PAD SET, FRT CALIPER (NOR. SUSP) (HARD SUSP) (SPORT SUSP)	JEU TAMPON, CALIBRE A V (SUSP. NRML) (SUSP. FERM) (SUSP. SPORTIVE)		
33-26Z NAV5-33-26Z NOY7-33-26Z B2YD-33-26Z	1	SEAL & BOOT SET, CAL. -FRT (NOR. SUSP) (HARD SUSP) (SPORT SUSP)	JEU JOINT & COFFRE, CAL-AV (SUSP. NRML) (SUSP. FERM) (SUSP. SPORTIVE)		-0801 0801-
33-280B NA75-33-281 NO67-33-281	1	SUPPORT(R), MOUNTING (NOR. SUSP) (HARD SUSP) (SPORT SUSP)	SUPPORT DE FIXATION (D) (SUSP. NRML) (SUSP. FERM) (SUSP. SPORTIVE)		
33-280X NO67-33-281 NA75-33-291	1	SUPPORT(L), MOUNTING (HARD SUSP) (SPORT SUSP) (NOR. SUSP)	SUPPORT DE FIXATION (G) (SUSP. FERM) (SUSP. SPORTIVE) (SUSP. NRML)		
33-610 NA75-33-61X NO67-33-61X	1	BODY & PISTON(R), CALIPER (NOR. SUSP) (HARD SUSP) (SPORT SUSP)	CORPS & PISTON (D) (SUSP. NRML) (SUSP. FERM) (SUSP. SPORTIVE)		
33-610Z NA75-33-71X NO67-33-71X	1	BODY & PISTON(L), CALIPER (NOR. SUSP) (HARD SUSP) (SPORT SUSP)	CORPS & PISTON (G) (SUSP. NRML) (SUSP. FERM) (SUSP. SPORTIVE)		
33-691 B001-33-691	2	SCREW, BLEEDER	VIS DE PURGE		
33-692 B25D-33-692	2	BOOT, GUIDE PIN (HARD SUSP) (SPORT SUSP)	SOUFFLET, BROCHE-GUIDE (SUSP. FERM) (SUSP. SPORTIVE)		
33-693A 0259-33-693	2	CAP, BLEEDER SCREW	BOUCHON PURGEUR		

0801 NB35**200666



NOTE
 (1) ... (6) ⇒ 33-26Z
 THE D-CODE OF 33-26Z CONSISTS OF
 FIGURE NUMBERS (1) THROUGH (6).

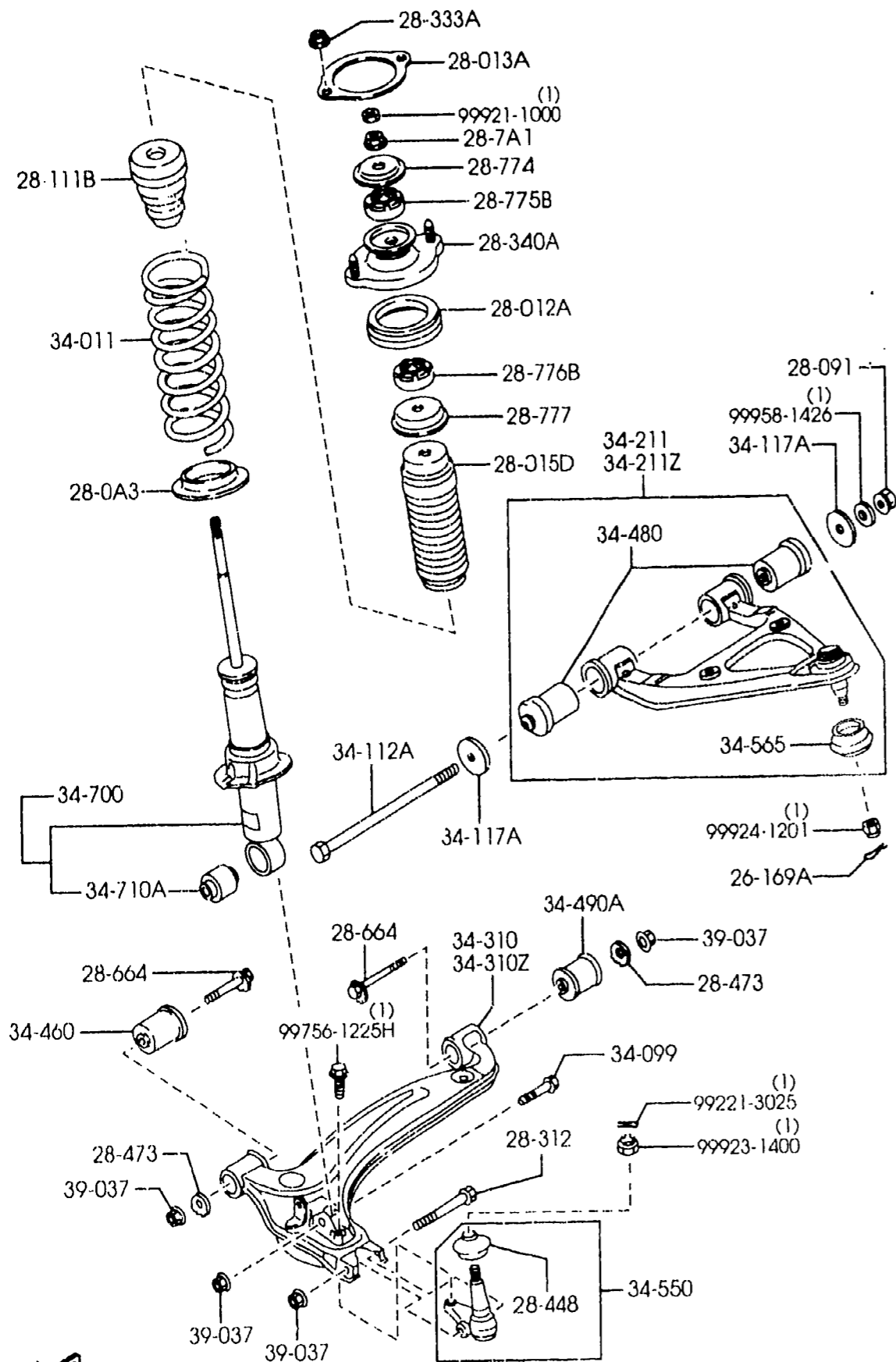


THOUGH ILLUSTRATIONS OF D CODE 33-23Z
 33-26Z AND 49-280B ARE FOR LEFT SIDE
 ONLY. QUANTITIES OF THESE D CODES IN
 THE TEXT ARE FOR ONE VEHICLE

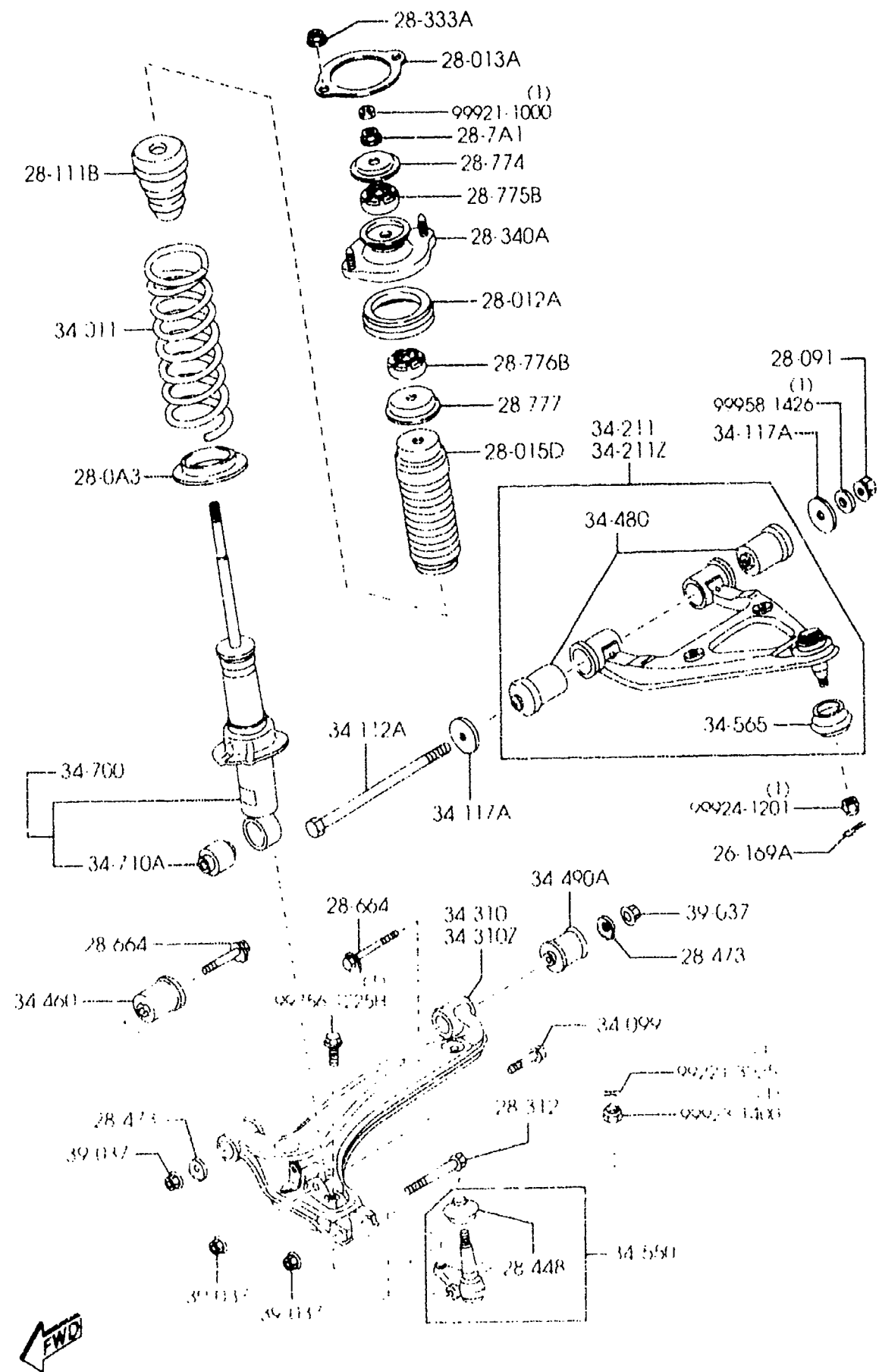
PART NO.	QTY	MODEL/RESTRICTION	MODEL/RESTRICTION	MODEL/RESTRICTION	FROM-TO
33-694 B25D-33-694	2	PIN, GUIDE-FRT CALIPE R (HARD SUSP) (SPORT SUSP)	BROCHE GUIDE (SUSP. FERM) (SUSP. SPORTIVE)		
33-698C B25D-33-698	2	BOOT, LOCK PIN (HARD SUSP) (SPORT SUSP)	SOUFFLET, AXE DE BLOC AGE (SUSP. FERM) (SUSP. SPORTIVE)		
33-98Z NAZ5-33-98Z NOZ7-33-98Z	1	CALIPER(R), PADLESS-F R (NOR. SUSP) (HARD SUSP) (SPORT SUSP)	CALIBRE SANS CALE, AV -D (SUSP. NRML) (SUSP. FERM) (SUSP. SPORTIVE)		
33-99Z NAZ5-33-99Z NOZ7-33-99Z	1	CALIPER(L), PADLESS-F R (NOR. SUSP) (HARD SUSP) (SPORT SUSP)	CALIBRE SANS CALE, AV -G (SUSP. NRML) (SUSP. FERM) (SUSP. SPORTIVE)		
33-998 B25D-33-998	2	PIN, GUIDE-INNER PAD (HARD SUSP) (SPORT SUSP)	AXE-GUIDE DE PLAQUET TE INT. (SUSP. FERM) (SUSP. SPORTIVE)		
49-114A B173-49-114 B239-49-114	2	PIN, SLIDER (ILLUST. NO.1) (NOR. SUSP) (ILLUST. NO.2) (NOR. SUSP)	AXE, COULISSEUR (SUSP. NRML) (SUSP. NRML)		
49-280B NOY3-33-28Z NOY7-33-28Z	1	PAD SUB SET, FRT CALI PER (NOR. SUSP) (HARD SUSP) (SPORT SUSP)	JEU, PLAQUETTE D'ETRI ER AV (SUSP. NRML) (SUSP. FERM) (SUSP. SPORTIVE)		

3400A FRONT SUSPENSION MECHANISMS

3400A -1 FRONT SUSPENSION MECHANISMS



PART NO.	QTY	MODEL/RESTRICTION	MODEL/RESTRICTION	MODEL/RESTRICTION	FROM-TO
26-169A		PIN, SNAP	AXE D'ARRET		
T001-26-169	2				
28-0A3		RUBBER, SPRING SHEET	CAOUTCHOUC, SIEGE RES SORT		
NC10-28-0A3A	2				
28-012A		SHEET, RUBBER	SIEGE, C.T.C.		
NC10-28-012B	2				
28-013A		SHEET, RUBBER	SIEGE, C.T.C.		
G030-28-013A	2				
28-015D		BOOT, DUST	COIFFE		
NC10-28-015A	2				
28-091		NUT	ECROU		
FB01-28-091A	2				
28-111B		STOPPER, BUMP	BUTEE DE TALONNAGE		
NC10-34-111	2				
28-312		BOLT, LINK	BOULON, LIAISON		
H266-28-312	2				
28-333A		NUT, FLANGE	ECROU		
H001-28-333	4				
28-340A		SHEET, SPRING UPPER	FEUILLE SUP., RESSORT		
NC10-28-340C	2				
28-448		SEAL, DUST-BALL JOINT	JOINT, POUSS.-JOINT ROTULE		
H266-28-448	2				
28-473		PLATE, CAM-SUB FRAME	PLAQUE, CAME-SOUS CHASSIS		
NA80-28-473A	4				
28-664		BOLT, ADJUST	BOULON, REGLAGE		
NA80-28-662D	4				
28-7A1		NUT, FLANGE-RR DAMPER	ECROU, BRIDE-AMORTISS		
D061-28-7A1	2				



PART NO.	QTY	MODEL/RESTRICTION	MODEL/RESTRICTION	MODEL/RESTRICTION	FROM-TO
28-774	2	RETAINER, REAR DAMPER	ARRET, AMORTISSEUR ARRIERE		
NC10-28-774					
28-775B	2	BUSH, REAR DAMPER-UPPER	COUSSINET, AMORT. AR.-SUP.		
NC10-28-775					
28-776B	2	BUSH, REAR DAMPER-LOWER	COUSSINET, AMORT. AR.-INF.		
NC10-28-776					
28-777	2	WASHER	RONDELLE		
NC10-28-777					
34-011	2	SPRING, COIL-FRONT	RESSORT, HELICOIDAL		
NC10-34-011B		((NOR. SUSP))>(MT)	((SUSP.NRML))>(B.V.MANU)		
N067-34-011	2	(HARD SUSP)	(SUSP.FERM)		
N068-34-011	2	((NOR. SUSP))>(AT)	((SUSP.NRML))>(B.V.AUTOM)		
		(SPORT SUSP)	(SUSP. SPORTIVE)		
34-099	2	BOLT	BOULON		
GJ21-34-097A					
34-112A	2	BOLT	BOULON		
NA01-34-112					
34-117A	4	WASHER	RONDELLE		
NA01-34-117A					
34-211	2	ARM(R), UPPER	BRAS SUPER(D)		
N066-34-200		(W/O A. LOCK BRAKE)	(S/SYST ANTIBLOC)		
N068-34-200	1	(W/A. LOCK BRAKE)	(SYST ANTIBLOC)		
34-211Z	1	ARM(L), UPPER	BRAS SUPER GAUCHE		
N068-34-250		(W/A. LOCK BRAKE)	(SYST ANTIBLOC)		
34-310	2	ARM(R), LOWER	BRAS INF.DROIT		
N066-34-310					
34-310Z	1	ARM(L), LOWER	BRAS		
N066-34-360					

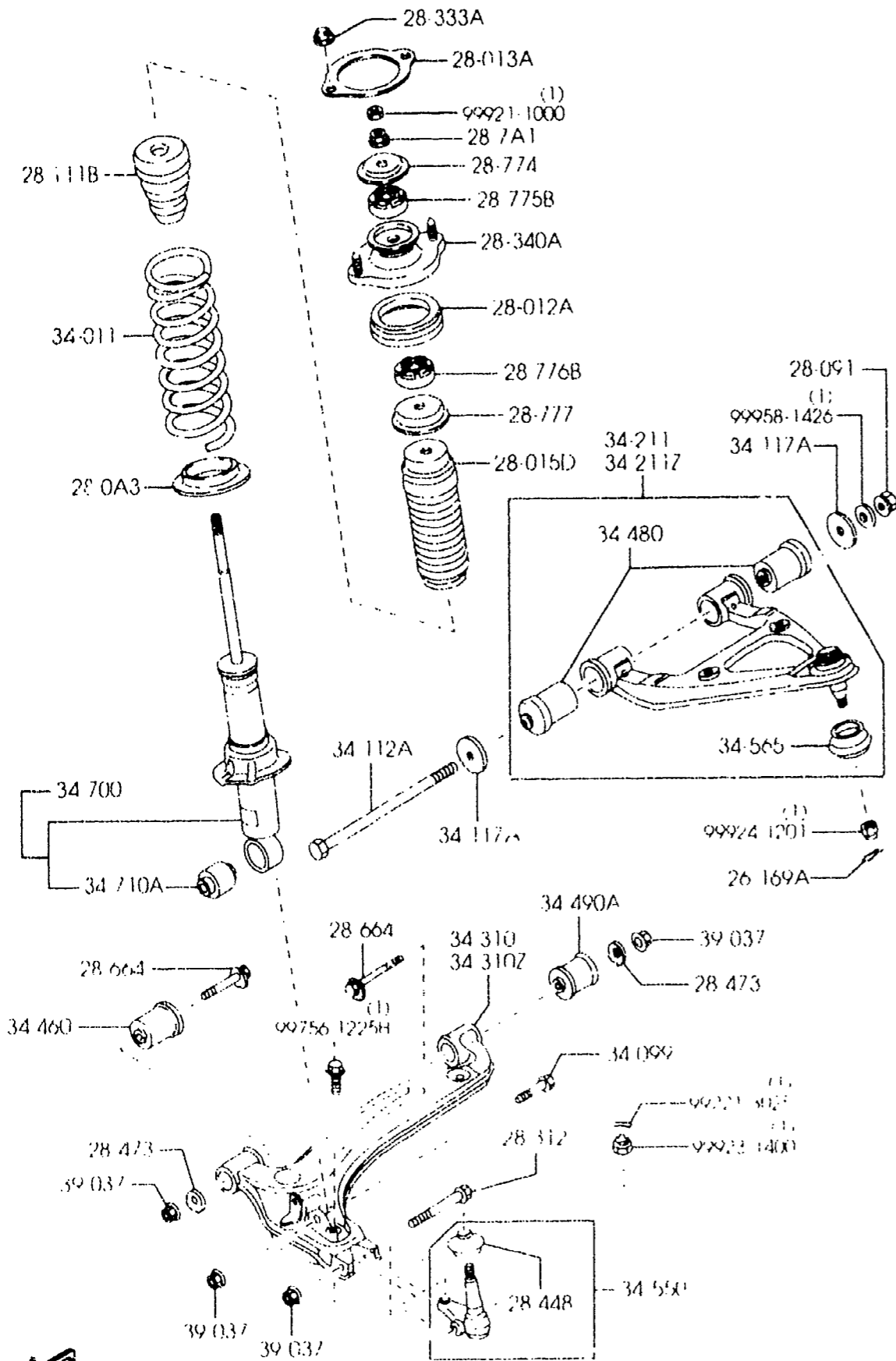
AUNA08-

1N11570

CAT AUNA08-04

2001-12

3400A FRONT SUSPENSION MECHANISMS



PART NO	QTY	MODEL/RESTRICTION	MODEL/RESTRICTION	MODEL/RESTRICTION	FROM TO
34-460		BUSH,RUBBER-LWR ARM	BUSELURE, BRAS FUSEE		
NA01-34-460A	2				
34-480		BUSHING,RUBBER-LOWER ARM	BUSELURE CTC		
NC10-34-480	4				
34-490A		BUSHING,RUBBER	BAGUE, CAOUTCHOUC		
NA01-34-490	2				
34-550		BALL JOINT,LOWER	ROTULE INF.		
NA01-34-550B	2				
34-565		SEAL,DUST	CACHE-POUSSIERE		
NA01-34-568	2				
34-700		DAMPER,FRONT	AMOTISSEUR AV		
NO66-34-700	2	((NOR. SUSP)>(MT))	((SUSP.NRML)>(B.V.MA NU))		
NO67-34-700	2	(HARD SUSP)	(SUSP.FERM)		
NO68-34-700	2	((NOR. SUSP)>(AT))	((SUSP.NRML)>(B.V.AU TOM))		
		(SPORT SUSP)	(SUSP.SPORTIVE)		
34-710A		BUSHING,DAMPER-LOWER	COUSSINET,AMORT.-INF		
NC10-34-710	2	(NOR. SUSP)	(SUSP.NRML)		
		(SPORT SUSP)	(SUSP.SPORTIVE)		
39-037		NUT	ECROU		
B001-39-037B	8				

ALINA08

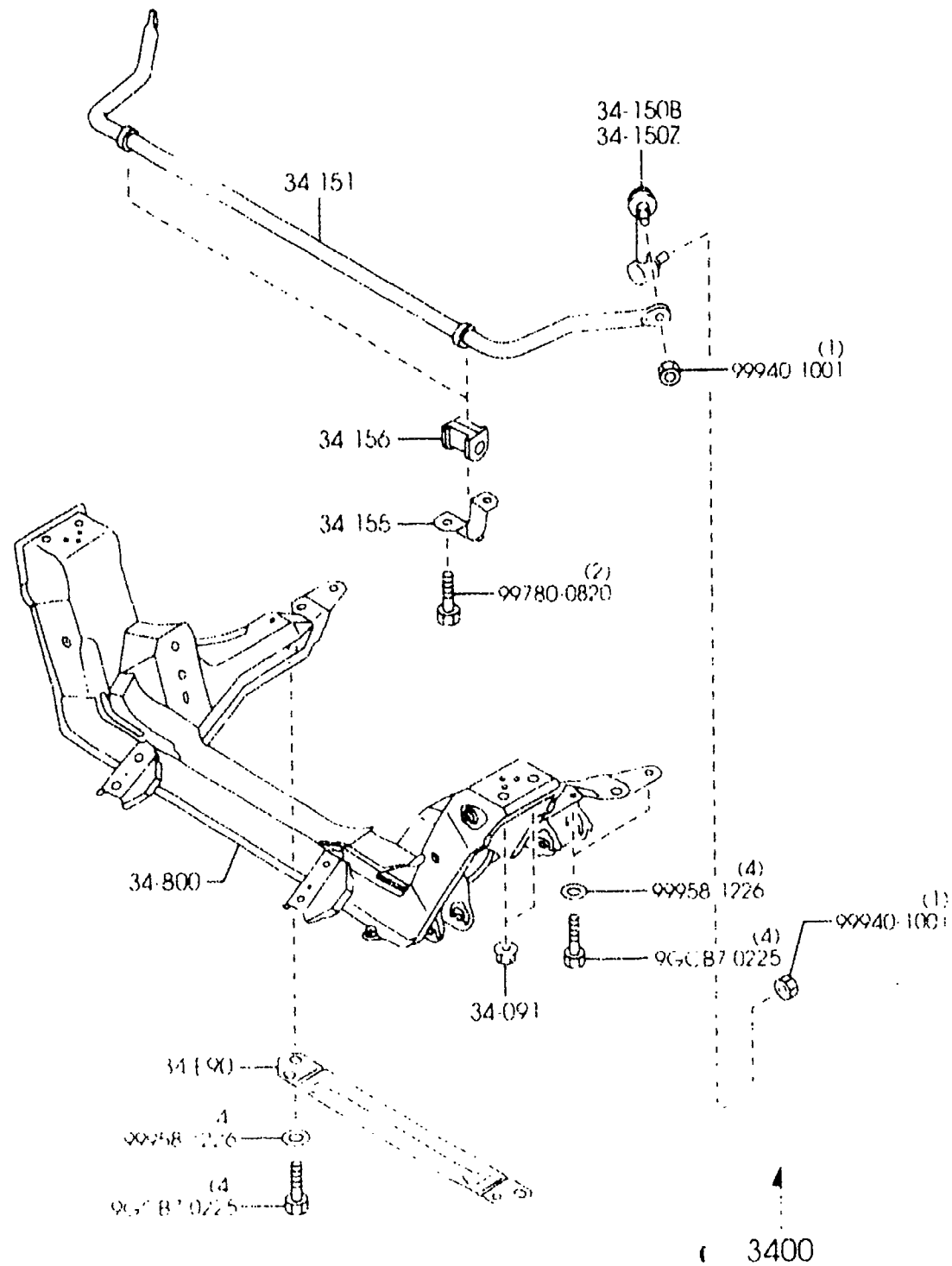
INT1570

CAT. AUNA08-04

2001-12

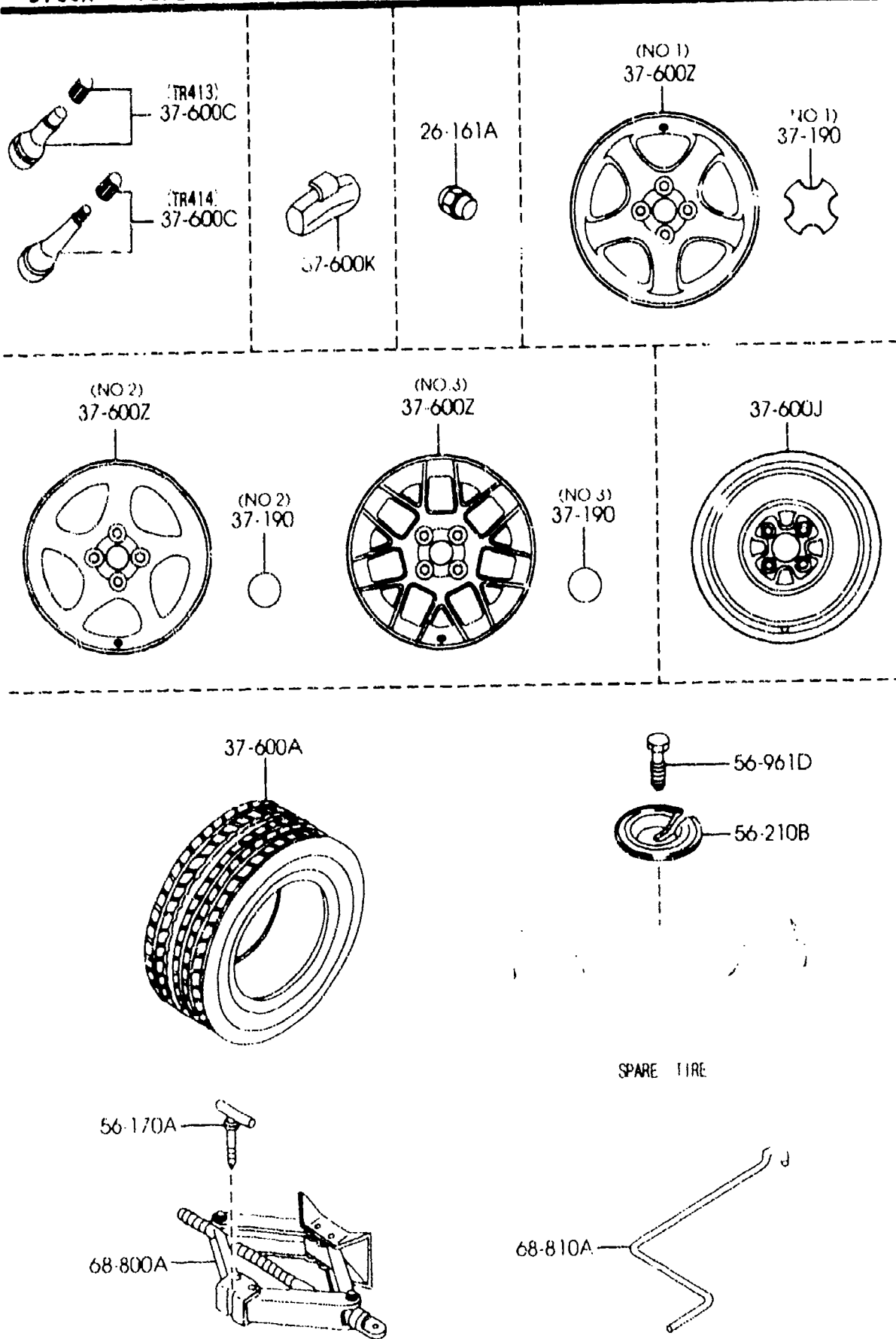
1-D14

3410A CROSSMEMBER & STABILIZER



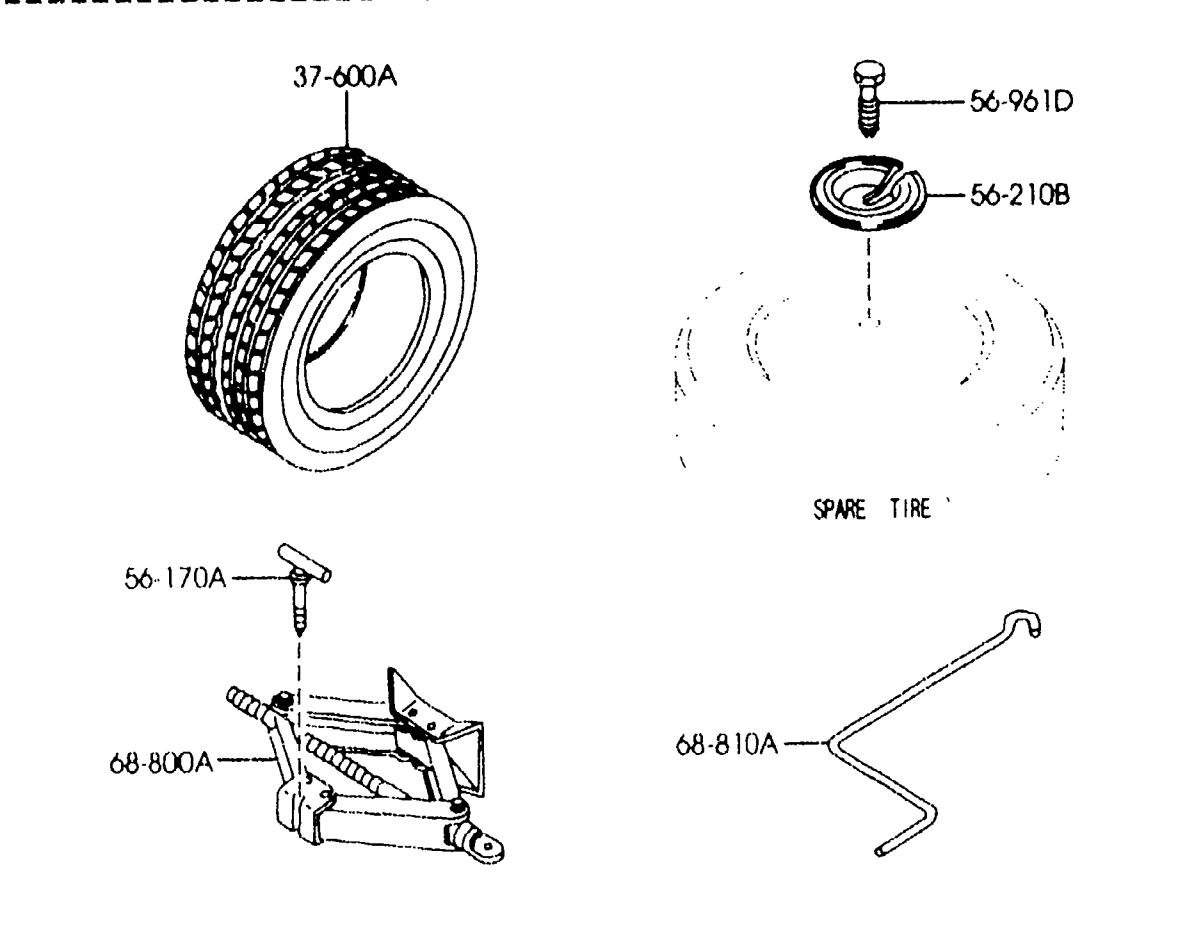
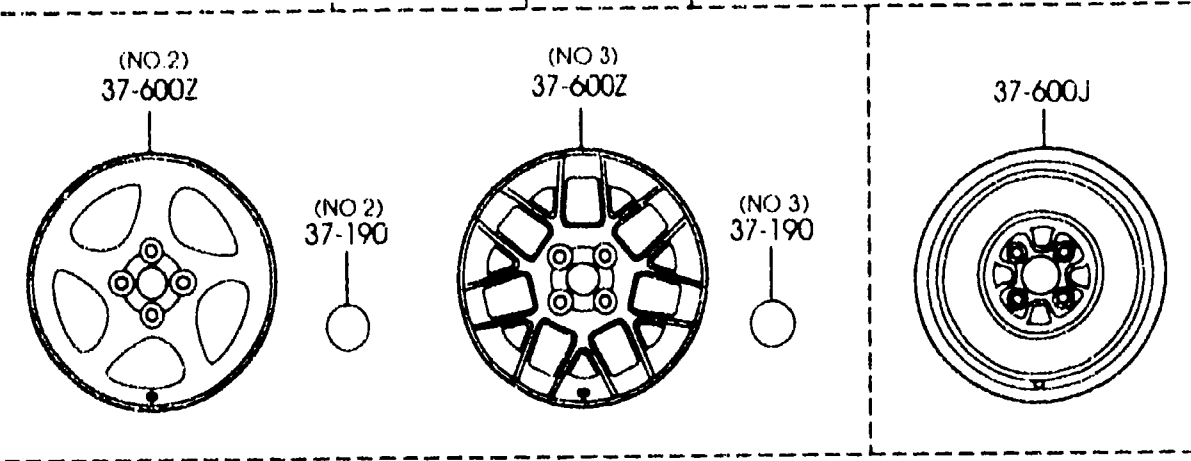
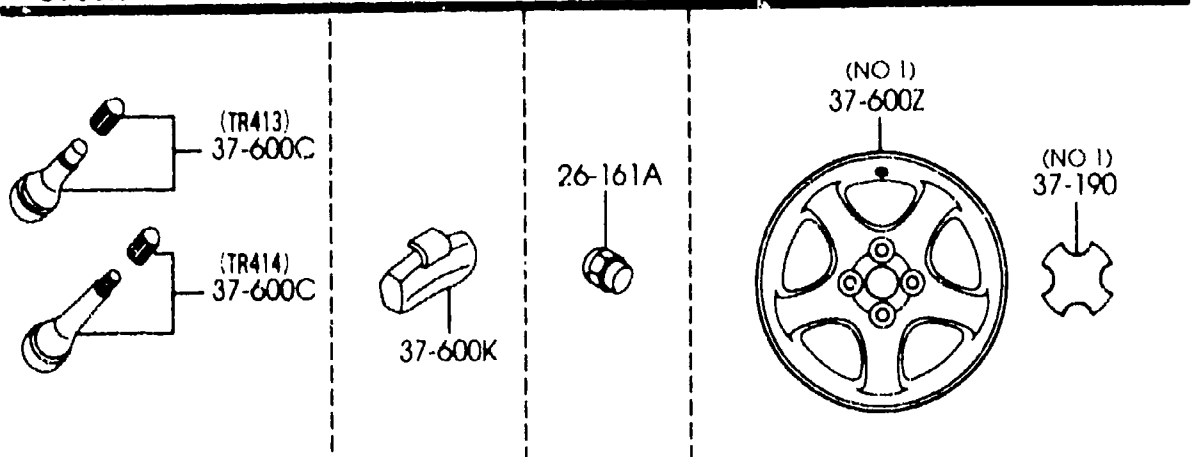
PART NO.	QTY	MODEL/RESTRICTION	MODEL/RESTRICTION	MODEL/RESTRICTION	FROM-TO
34-E90		BAR,CROSS	BARRE,CROIX		
NO66-34-E90	1				
34-091		NUT	ECROU		
FB01-34-091A	4				
34-150B		LINK(R),CONTROL	LIAISON(D),COMMANDE		
NC10-34-150	1				
34-150Z		LINK(L),CONTROL	LIAISON(G),COMMANDE		
NC10-34-170	1				
34-151		STABILIZER,FRONT	STABILISATEUR		
NC10-34-151A	1				
34-155		PLATE,STABILIZER	PLAQUE, BARRE STABIL		
FB01-34-155	2				
34-156		BUSH,STABILIZER-FRT	BUSELURE		
NC10-34-156	2				
34-800		MEMBER,CROSS	TRAVERSE		
NC72-34-800A	1				

3700A TIRES & JACK



PART NO.	QTY	MODEL/RESTRICTION	MODEL/RESTRICTION	MODEL/RESTRICTION	FROM-TO
26-161A		NUT, HUB PLATED	ECROU, MOYEU PLATED		
8002-37-160	16				
37-190		CAP, CENTER	ENJOLIVEUR DE MOYEU		
NC97-37-190	4	(ILLUST. NO. 1)			
N067-37-190	4	SILVER/SILVER (ILLUST. NO. 2)	SILVER/SILVER		
N072-37-190	4	SILVER/PLATED (ILLUST. NO. 3)	SILVER/PLATED		
NC76-37-190	4	BUFF FINISHING (ILLUST. NO. 2)	BUFF FINISHING		1108-
37-600A		TIRE	PNEU		
90620-17605	1	T105/70D15	T105/70D15		
90620-24706	4	205/45R16	205/45R16		
90620-47614	1	T115/70D14	T115/70D14		
90622-35695	4	195/50R15	195/50R15		
37-600C		VALVE, AIR	SOUPAPE AIR		
99636-04130	1	TR413 BRIDGESTONE	TR413 BRIDGESTONE		
99636-04140	4	TR414 BLACK	TR414 BLACK		
99636-0414C	4	TR414 BRIGHT	TR414 BRIGHT		1108-
37-600J		WHEEL, DISK-TEMPORARY	ROUE A DISQUE TEMPOR		
99652-14040	1	14X4T P=100/0=45	14X4T P=100/0=45		
99653-14050	1	15X4T P=100/0=45	15X4T P=100/0=45		
37-600K		WEIGHT, DISC WHEEL-ALUMI	CONTREPOIDS EN ALUMI		
99657-00160	4	160G CUT IT TO USE	160G CUT IT TO USE		
37-600Z		WHEEL, DISC-ALUMI.	ROUE A DISQUE EN ALU		
9965J-16050	4	15X6JJ 'ENKEI'MARK (ILLUST. NO. 1)	15X6JJ 'ENKEI'MARK		
99652-76560		16X6.5JJ SILVER	16X6.5JJ SILVER		
1108 NB35MM-208709					

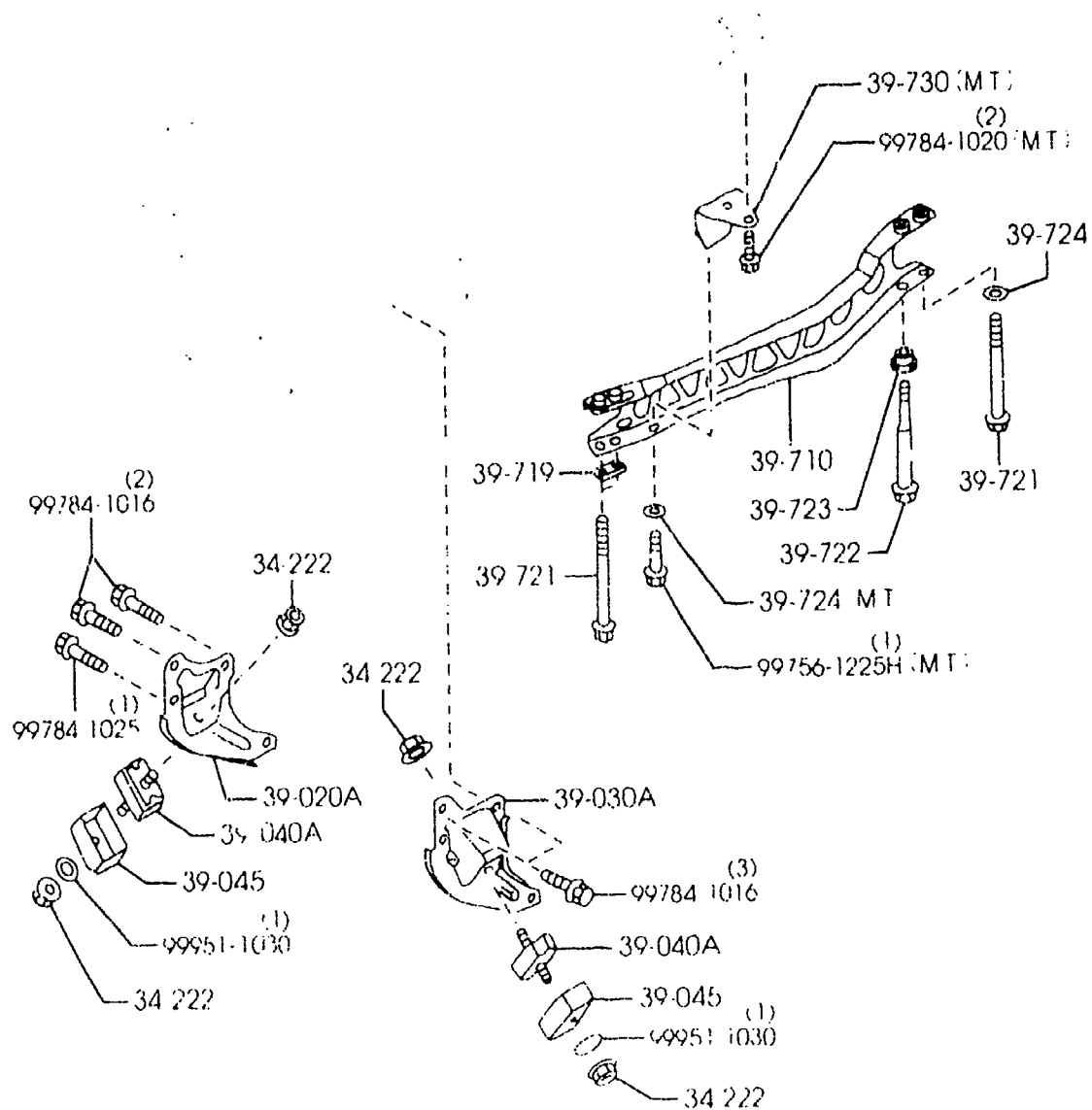
3700A TIRES & JACK



PART NO.	QTY	MODEL/RESTRICTION	MODEL/RESTRICTION	MODEL/RESTRICTION	FROM-TO
CONT'D	4	(ILLUST. NO.2) (SILVER METALIC)			
99653-86560	4	16X6.5JJ P=100/O=40 (ILLUST. NO.3)	16X6.5JJ P=100/O=40		
99653-06560	4	6.5JJX16 P=100/O=40 (ILLUST. NO.2) (BUFF FINISHING)	6.5JJX16 P=100/O=40		1108-
56-170A		BOLT, JACK SET	BOULON, JEU, CRIC		
8001-56-170C	1				
56-210B		CLAMP, SPARE TIRE	FIXATION, ROUE DE SE COURS		
GA5R-56-971C	1				
56-961D		BOLT	BOULON		
T001-56-961	1	L=60MM	L=60MM		
68-800A		JACK	CRIC		
B25D-37-790	1				
68-810A		HANDLE, JACK	LEVIER DE CRIC		
D201-37-810	1				

1108 NB35**-208709

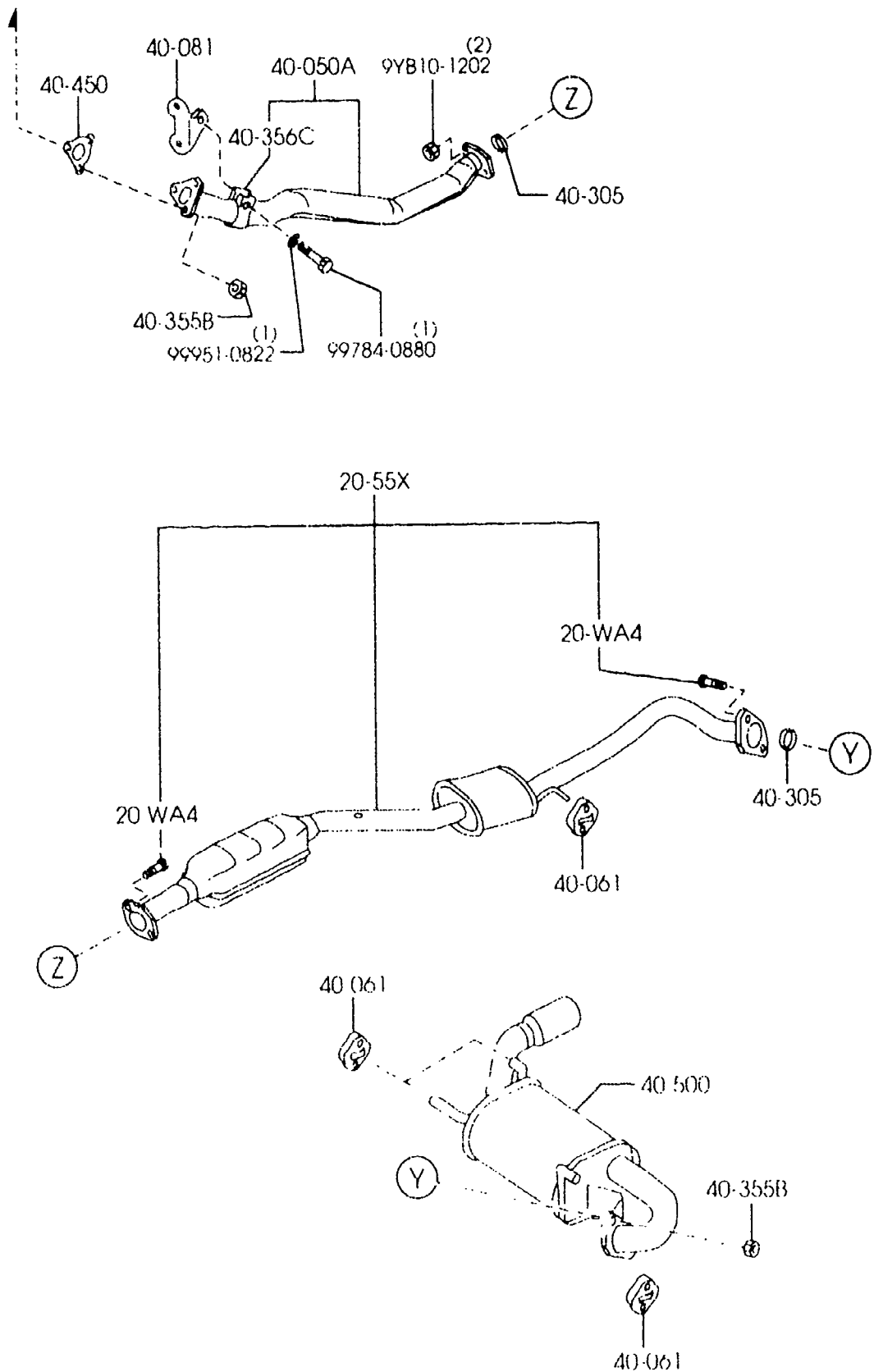
3900A ENGINE & T/MISSION MOUNTINGS



PART NO.	QTY	MODEL/RESTRICTION	MODEL/RESTRICTION	MODEL/RESTRICTION	FROM-TO
34-222		NUT	ECROU		
8871-34-222	4				
39-020A		BRACKET(R),ENGINE	ATTACHE (D), MOTEUR		
N066-39-020	1				
39-030A		BRACKET(L),ENGINE	ATTACHE (G), MOTEUR		
N066-39-030	1				
39-040A		RUBBER,ENGINE MT.	CAOUTCHOUC DE FIX.,M OTEUR		
NC10-39-040	2				
39-045		CASING,STOPPER	BOITIER, ARRET		
NA01-39-041B	2				
39-710		FRAME,POWER PLANT	CHASSIS,GROUPE MOTEU R		
NC10-39-710A	1 (MT)		(B.V.MANU)		
NC13-39-710A	1 (AT)		(B.V.AUTOM)		
39-719		FRAME,POWER PLANT	BATI,CENTRALE FORCE		
N066-39-719	1				
39-721		BOLT,PLANT FRAME	BOULON,CHASSIS G. MO TEUR		
NA01-39-721A	3				
39-722		BOLT,PLANT FRAME	BOULON,CHASSIS G. MO TEUR		
NA01-39-722	1				
39-723		SPACER,PLANT FRAME	ENTRETOISE,CHASSIS G . HOT		
NA01-39-723	1				
39-724		WASHER,PLAIN-FRAME	RONDELLE SERRAGE-CHA SSIS		
NA01-39-724	1 (AT)		(B.V.AUTOM)		
NA01-39-724	2 (MT)		(B.V.MANU)		
39-730		BRACKET,PLANT FRAME	SUPPORT,CHASSIS G. M OTEUR		
NA01-39-730A	1 (MT)		(B.V.MANU)		

4000A EXHAUST SYSTEM

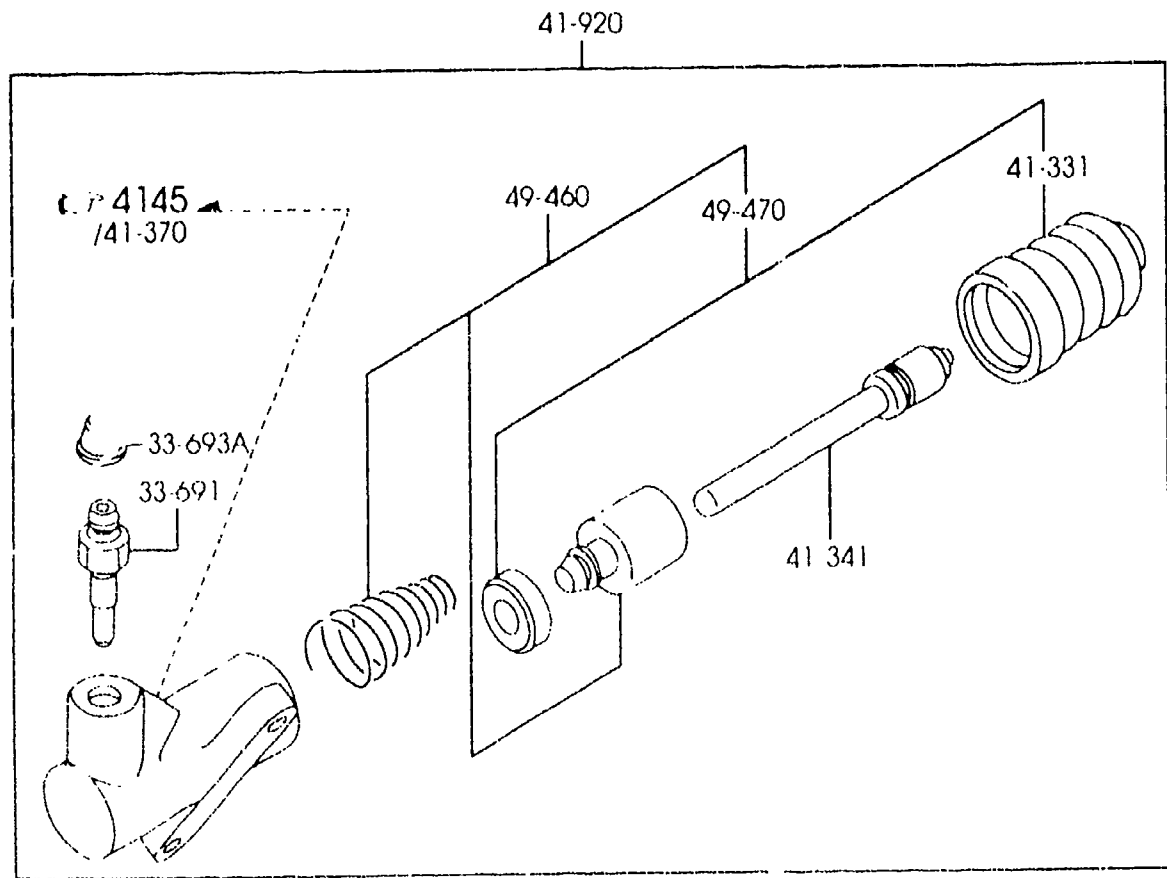
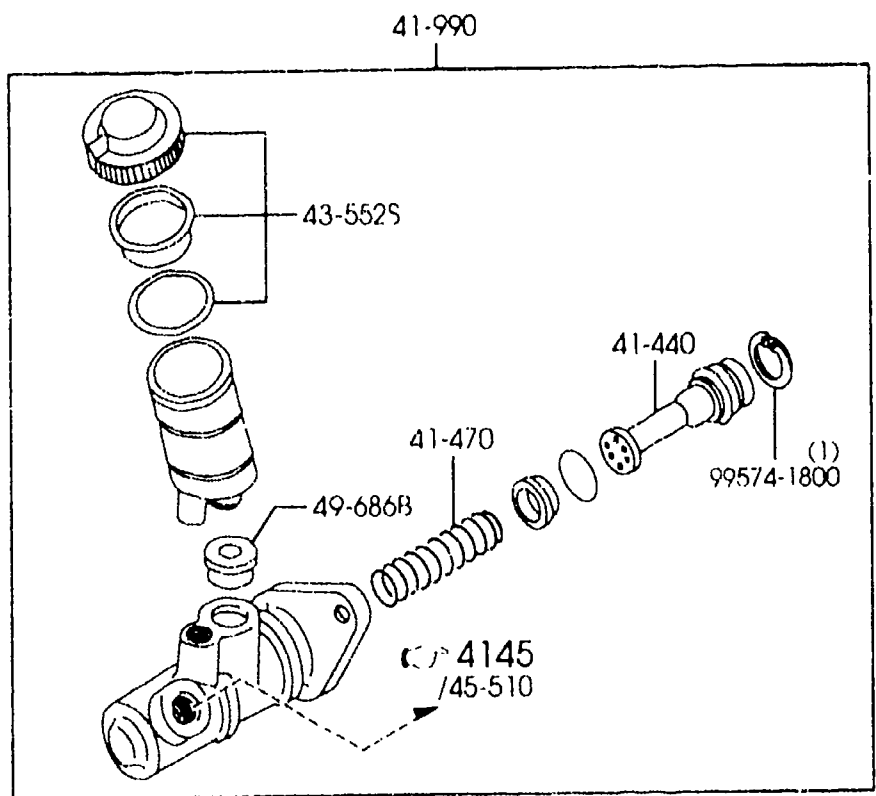
1310/13-450



PART NO.	QTY	MODEL/RESTRICTION	MODEL/RESTRICTION	MODEL/RESTRICTION	FROM-TO
20-WA4		BOLT	BOULON		
BP5B-20-WA5	4				
20-55X		CONVERTER	TRANSPORTEUR		-1625
BF6F-20-55XB A (BP6F-20-55XC)	1				
*BP6F-20-55XC	1				1625-
40-050A		PIPE, EXHAUST-FRONT	TUYAU D'ECH.AV		
BPM3-40-500F	1				
40-061		HANGER, SILENCER	SUPPORT, ECHAPPEMENT		
BP47-40-061A	4				
40-081		BRACKET, HANGER	SUPPORT		
BPM1-40-080B	1 (MT)		(B.V. MANU)		
BPM2-40-080B	1 (AT)		(B.V. AUTOM)		
40-305		GASKET	JOINT		
Z520-40-305	2				
40-355B		NUT	ECROU		
JE10-40-355	5				
40-356C		BAND	COLLIER DE SERRAGE		
BPM1-40-356B	1				
40-450		GASKET, CONVERTER	JOINT, CONVERTISSEUR		
BPM1-40-450A	1				
40-500		SILENCER, MAIN	POT D'ECHAPPEMENT		
BPP6-40-100B	1 (MT)		(B.V. MANU)		
BPM8-40-100D AN(BPM8-40-100E)	1 (AT)		(B.V. AUTOM)		-0921
BPM8-40-100E	1 (AT)		(B.V. AUTOM)		0921-

0921 NB35**-204512
1625 NB35**-219468

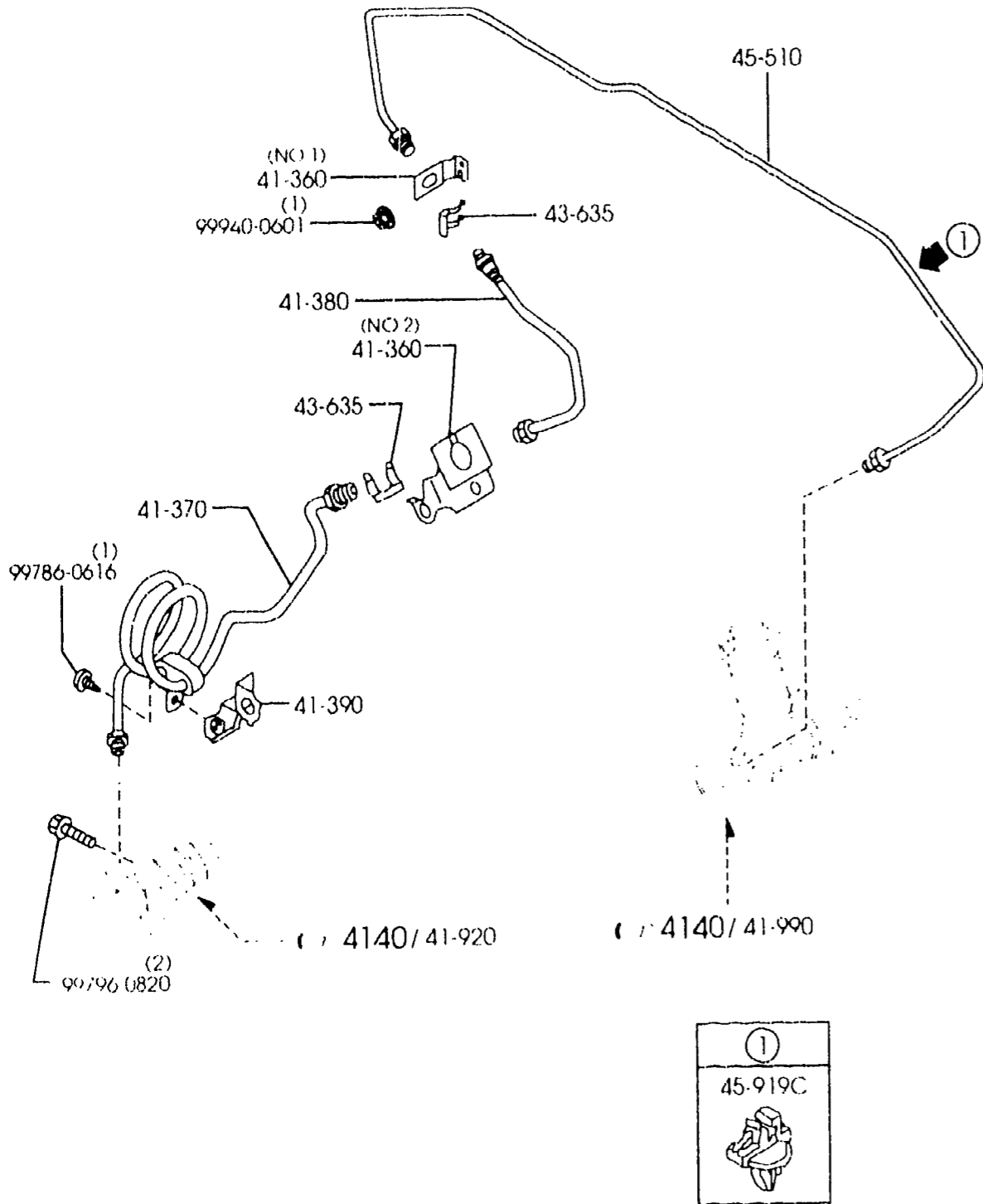
4140A MANUAL TRANSMISSION CLUTCH RELEASE & MASTER CYLINDERS



PART NO.	QTY	MODEL/RESTRICTION	MODEL/RESTRICTION	MODEL/RESTRICTION	FROM-TO
33-691		SCREW, BLEEDER	VIS DE PURGE		
GA5R-33-691	1				
33-693A		CAP, BLEEDER SCREW	BOUCHON PURGEUR		
0259-33-693	1				
41-331		BOOT	COIFFE		
H005-41-331	1				
41-341		ROD, PUSH	TIGE		
NC10-41-341	1				
41-440		PISTON	PISTON		
B312-41-440	1				
41-470		SPRING	RESSORT		
B312-41-470	1				
41-920		CYL., CLUTCH RELEASE	CYLINDRE, RECEPTUR, EMBRAYAGE		
NA01-41-920A	1				-1101
AN(NA01-41-920B)					
NA01-41-920B	1				1101-
41-990		CYL., CLUTCH MASTER	MAITRE CYLINDRE, EMBRAYAGE		
NA01-41-400A	1				
43-552S		CAP SET, RESERVE TANK	BOUCHON RESERVOIR RESERVE		
B093-49-580	1				
49-460		PARTS KIT, INNER	KIT, PIECES INT.		
H005-49-460	1				
49-470		SEAL KIT	JEU DE JOINTS D'ETANCHEITE		
H005-49-470	1				
49-686B		BUSH, ELBOW JOINT	BUSELURE		
0305-49-686B	1				

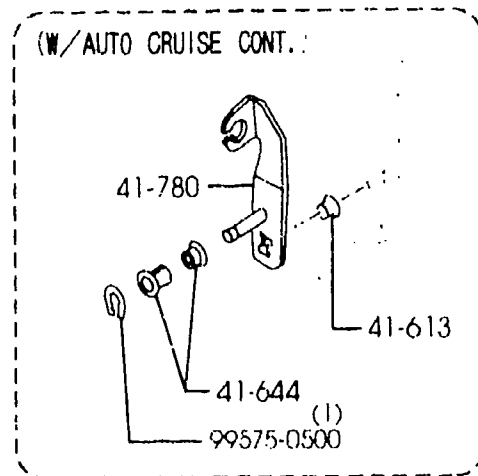
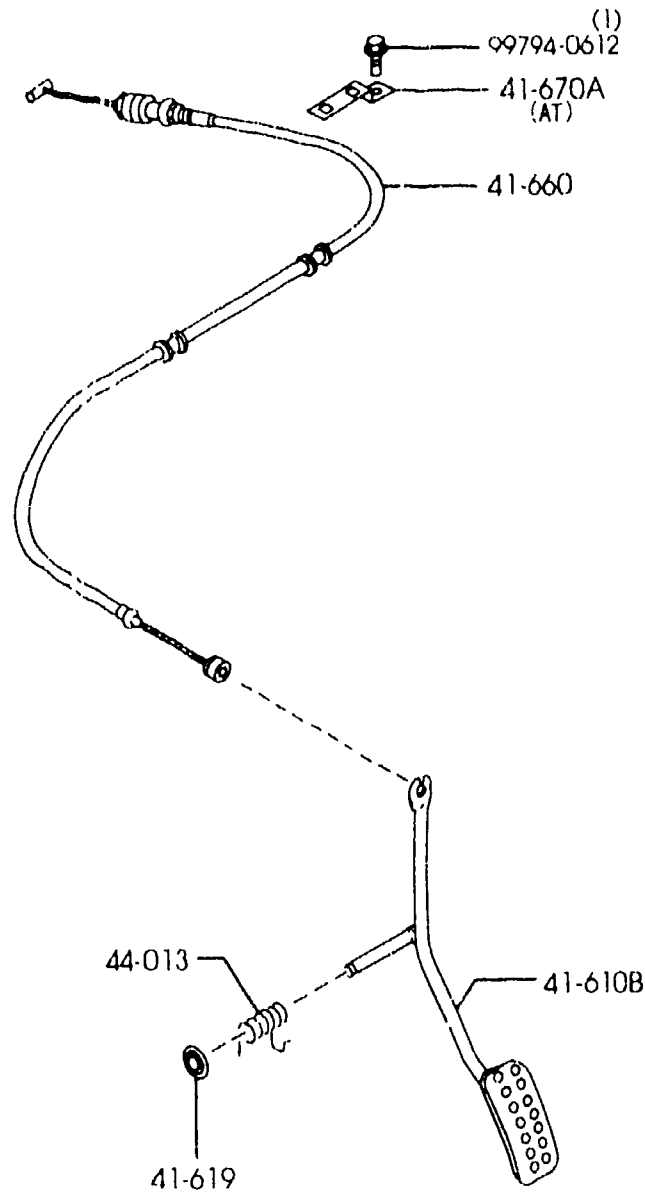
1101 NB35**-208709



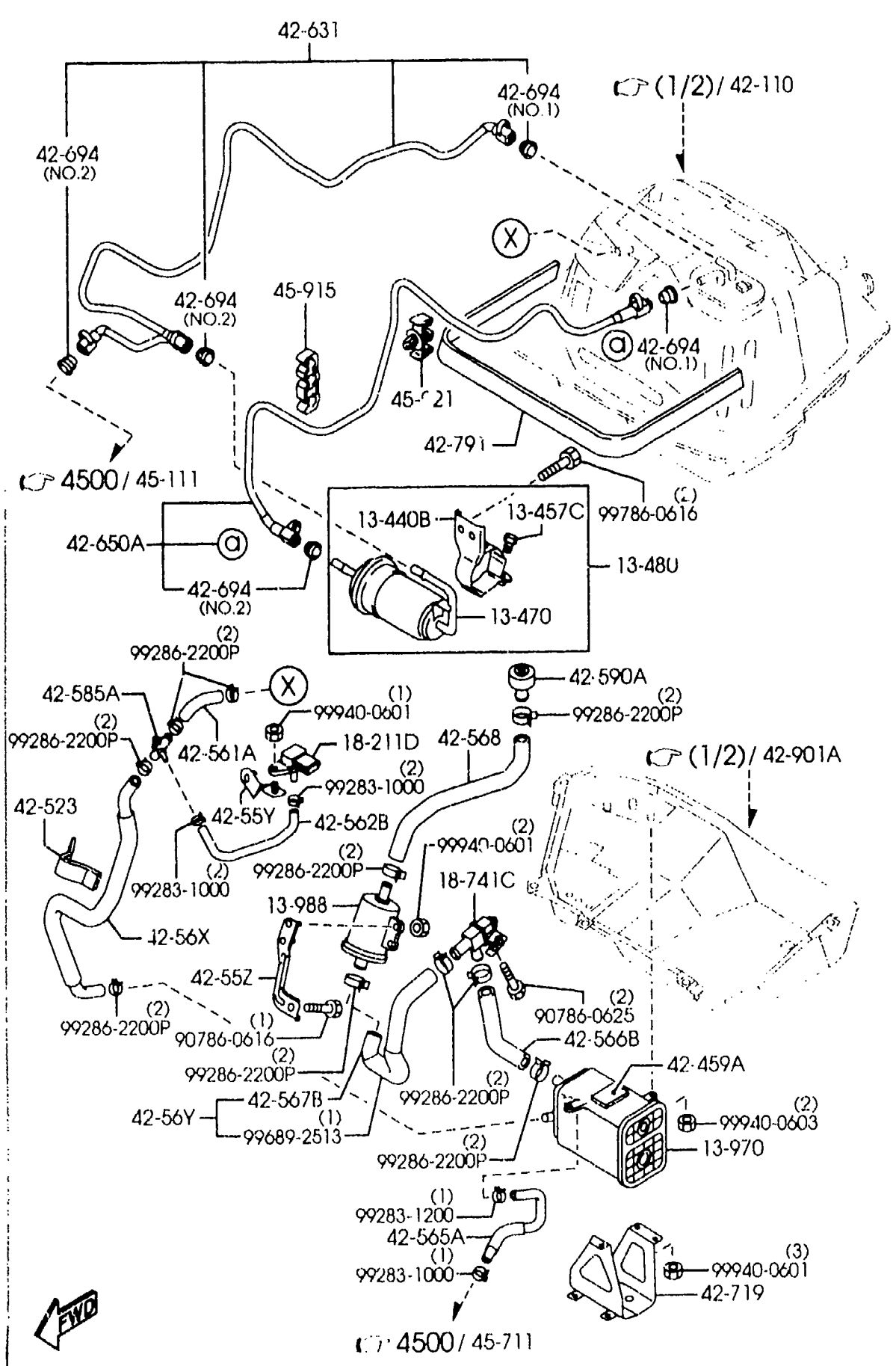
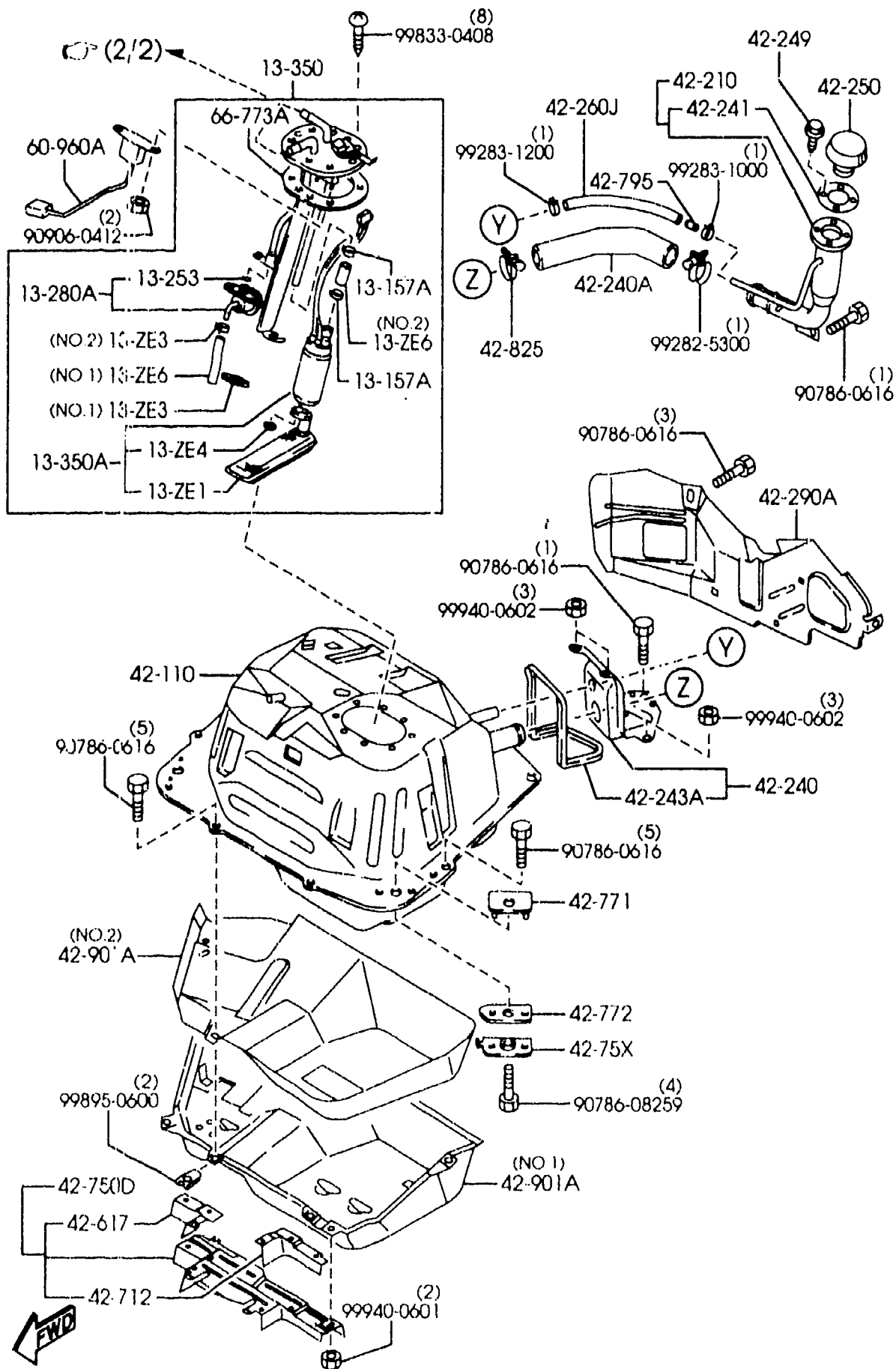


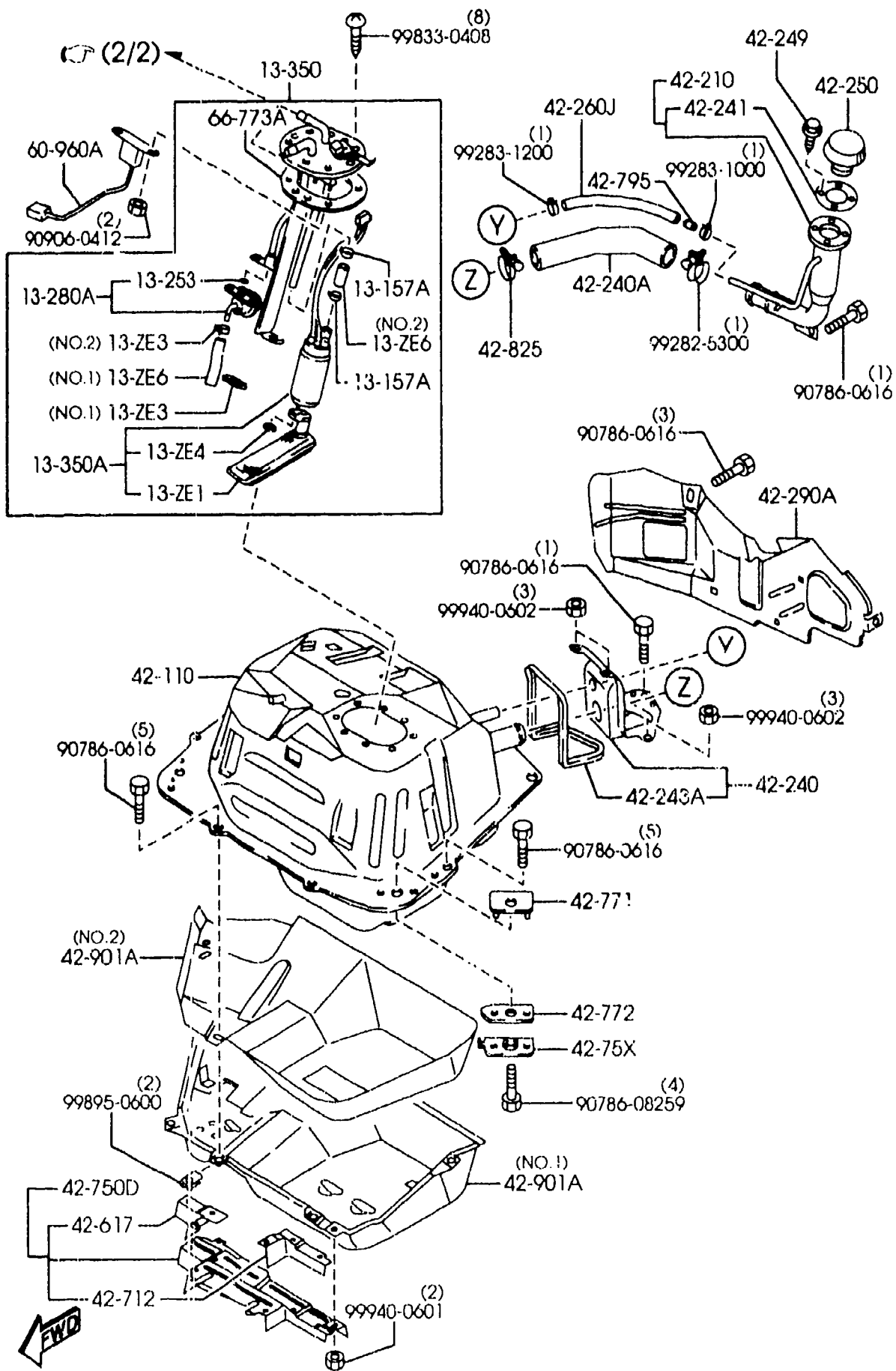
PART NO.	QTY	MODEL/RESTRICTION	MODEL/RESTRICTION	MODEL/RESTRICTION	FROM-TO
41-360		HOLDER, CLUTCH	SUPPORT		
NC10-41-370	1	(ILLUST. NO.1)			
NC11-41-370	1	(ILLUST. NO.2)			
41-370		PIPE, CLUTCH	CONDUIT, EMBRAYAGE		
NA75-41-360A	1				
41-380		HOSE, FLEXIBLE	DURITE FLEXIBLE		
NC10-41-380	1				
41-390		HOLDER, PIPE	SUPPORT TUYAU		
NA01-41-390	1				
43-635		CLIP, FLEXIBLE HOSE	ATTACHE, CONDUIT FLEXIBLE		
W023-43-635A	2				
45-510		PIPE, CLUTCH	CONDUIT, EMBRAYAGE		
NA01-45-510C	1	(W/O A. LOCK BRAKE)	(S/SYST ANTIBLOC)		
NC14-45-510A	1	(W/A. LOCK BRAKE)	(SYST ANTIBLOC)		
45-919C		CLIP, PIPE	ATTACHE		
G020-45-919A	1				

4160A ACCELERATOR CONTROL SYSTEM

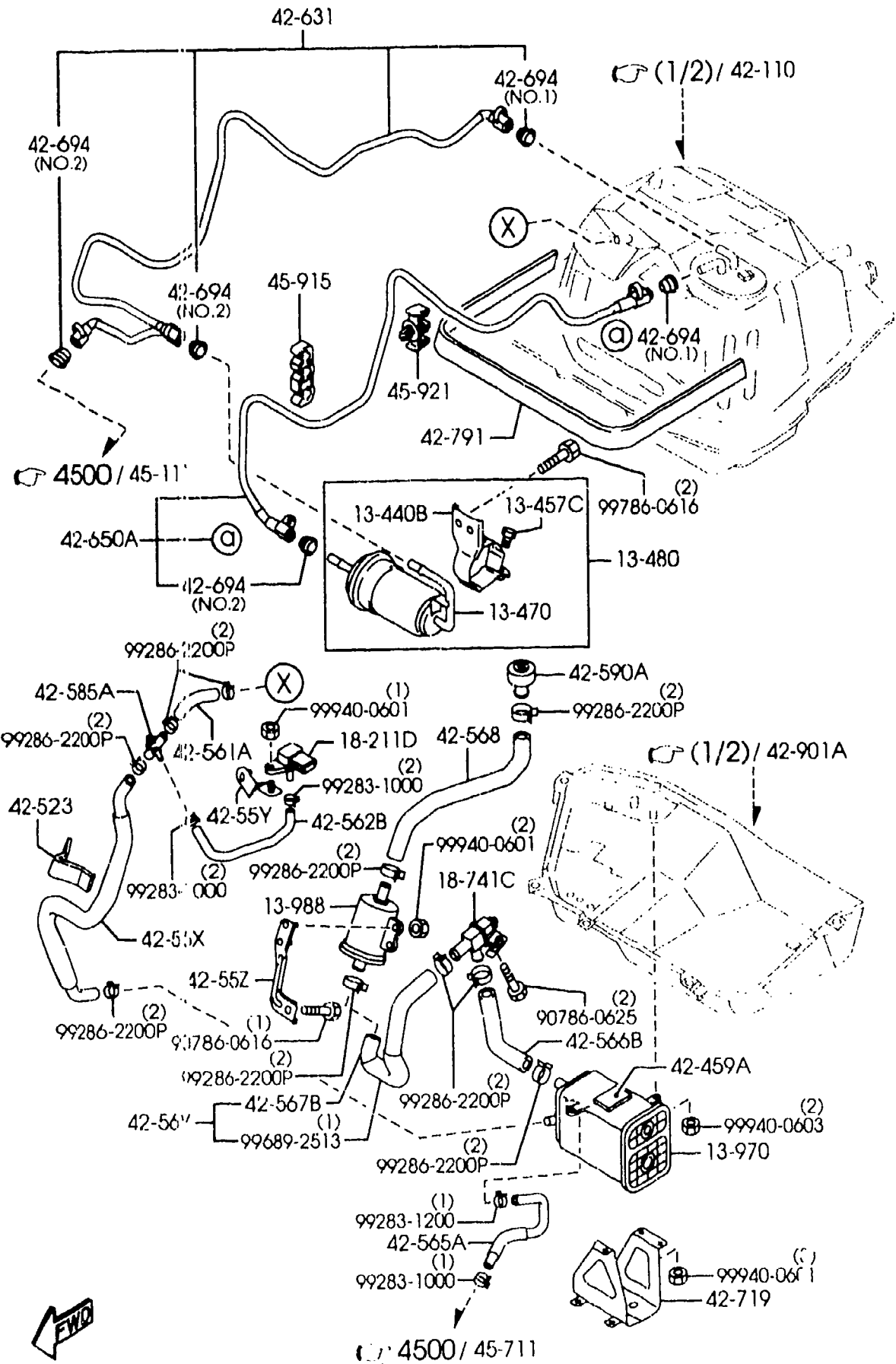


PART NO.	QTY	MODEL/RESTRICTION	MODEL/RESTRICTION	MODEL/RESTRICTION	FROM-TO
41-610B		PEDAL & ARM	PEDALE ET BRAS		
NA01-41-610B	1	(W/O AUTO CRUISE CONT.)			
NA02-41-610B	1	(W/AUTO CRUISE CONT.)			
41-613		ROLLER	ENROULEUR		
B104-41-114	1	(W/AUTO CRUISE CONT.)			
41-619		SPRING, RETURN	RESSORT DE RAPPEL		
NA01-41-619	1				
41-644		BUSH	BUSELURE		
0259-41-644	2	ONDO KOSAKUSHO (W/AUTO CRUISE CONT.)	ONDO KOSAKUSHO		
41-660		CABLE, ACCEL.	CABLE D'ACCELERATEUR		
NC10-41-660A	1				
41-670A		BRACKET, CABLE	SUPPORT, CABLE		
N053-41-671A	1	(AT)	(B.V. AUTOM)		
41-780		LEVER, ACCELERATOR	LEVIER, ACCELERATEUR		
NA01-41-130A	1	(W/AUTO CRUISE CONT.)			
44-013		WASHER	RONDELLE, LEVIER DE FREIN		
H380-44-013	1				





PART NO.	QTY	MODEL/RESTRICTION	MODEL/RESTRICTION	MODEL/RESTRICTION	FROM-TO
13-ZE1		FILTER, FUEL PUMP	FILTRE, POMPE COMBUSTIBLE		
BP4W-13-ZE1	1				
13-ZE3		CLIP, HOSE-FUEL HOSE	ETRIER, TUYAU-POMPE COMB.		
BP4W-13-FD1	1 (ILLUST. NO.1)				
B62K-13-ZE3	1 (ILLUST. NO.2)				
13-ZE4		WASHER, LOCK-PUMP FILTER	RONDELLE, VERROU-FILTRE-P. MITSUBISHI		
F8B3-13-ZE4	1				
13-ZE6		HOSE, FUEL PUMP-IN TANK	TUYAU, POMPE COMB.-RES. ARR		
BP4W-13-ZE2	1 (ILLUST. NO.1)				
KL19-13-ZE6	1 (ILLUST. NO.2)				
13-157A		CLIP	ATTACHE		
AZ28-13-157	2				
13-253		RING, 'O'	JOINT 'O'		
B574-13-253	1				
13-280A		PRESSURE RG., FUEL	REGULATEUR DE PRES. CARBURANT		
BP4W-13-280B	1				
13-350		PUMP, FUEL	POMPE A ESSENCE		
BP4W-13-352G	1				
13-350A		PUMP, FUEL-SUB	POMPE, COMBUSTIBLE-SUB.		
BP4W-13-350A	1				
13-440B		BRACKET, FUEL FILTER	SUPPORT		
BP4W-13-484	1				
13-457C		BOLT	BOULON		
BP01-13-485	1				
13-470		FILTER, FUEL	FILTRE A ESSENCE		
BP4W-13-480	1				
13-480		FILTER&BODY, FUEL	FILTRE A ESSENCE		
BP4W-20-490B	1				



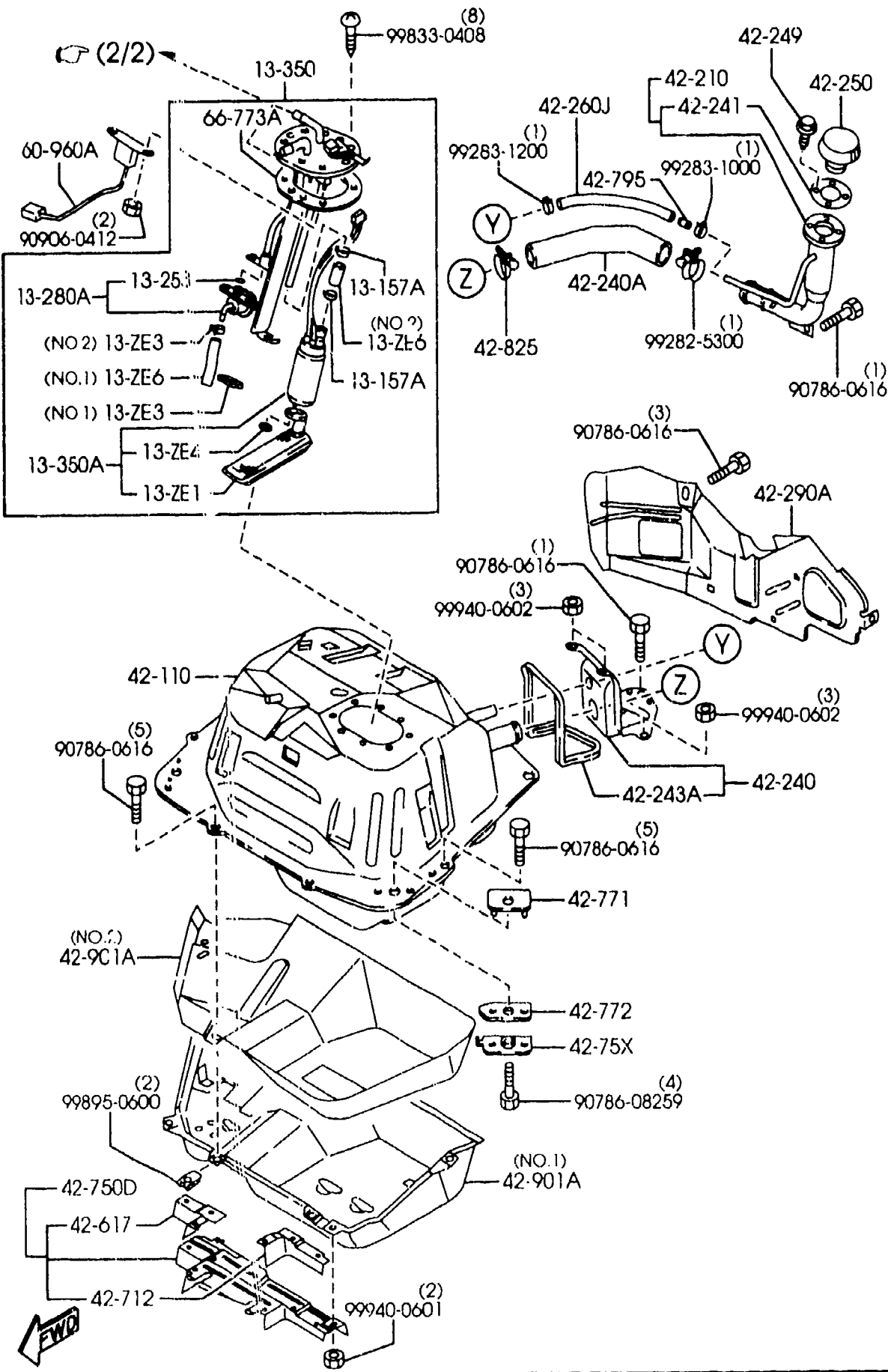
4200A -2 FUEL TANK

PART NO.	QTY	MODEL/RESTRICTION	MODEL/RESTRICTION	MODEL/RESTRICTION	FROM-TO
13-970		CANISTER	TAMBOUR		
BP5R-13-970	1				
13-988		FILTER,AIR	FILTRE A AIR		
KL64-13-988	1				
18-211D		SENSOR,BOOST	CAPTEUR DE DEPRESSION D'ADM.		
JE96-18-211	1				
18-741C		VALVE,SOLENOID	SOUPAPE DE SOLENOID		
BP5R-18-741	1				
42-110		TANK,FUEL	RESERVOIR D'ESSENCE		
NC49-42-110	1				
42-210		PIPE,FILLER	PIPE DE REMPLISSAGE		
NC49-42-210C	1				
42-240		COVER,DUST	CACHE,POUSSIERE		
NC49-42-240	1				
42-24CA		HOSE,JOINT	FLEXIBLE,JOINT-TUBE REMP		
NC10-42-231	1				
42-241		GASKET,FILLER PIPE	JOINT, PIPE DE REMPLISSAGE		
0866-42-366B	1				
42-243A		GASKET 'A',DUST COVER	JOINT ETAN. 'A',COUV.		
NA01-42-233	1				
42-249		BOLT,FILLER PIPE	BOULON ,FILTRE CONDUIT		
NA01-42-249B	4				
42-250		CAP,FILLER	BOUCHON, REMPLIS. HUILE		-1101
NC10-42-250A (NC10-42-250B)	1				
NC10-42-250B	1				1101-
42-260J		HOSE,BREATHER	TUYAU,RENIFLARD		
NC49-42-232	1				

1101 NB35**-208709

4200A FUEL TANK

(1/2)



4200A -3 FUEL TANK

PART NO.	QTY	MODEL/RESTRICTION	MODEL/RESTRICTION	MODEL/RESTRICTION	FROM-TO
42-290A NC11-42-291A	1	PROTECTOR 'A', FILLER PIPE	PROTECTEUR 'A', TUYAU REMP.		
42-459A BP4W-18-991	1	RUBBER, CUSHION	SILENT BLOC		
42-523 GA5R-42-767	1	PAD, FUEL TANK NISSHO	ISOLATEUR, RESERVOIR ESSENCE NISSHO		
42-55Y NC49-42-55Y	1	BRACKET	SUPPORT		
42-55Z NC49-42-55Z	1	BRACKET	SUPPORT		
42-56X NC49-42-56XC	1	HOSE, FUEL	TUYAU ESSENCE		
42-56Y NC49-42-56Y	1	HOSE, FUEL	TUYAU ESSENCE		
42-561A NC49-42-561	1	HOSE, FUEL	FLEXIBLE ESSENCE		
42-562B NC49-42-562	1	HOSE, FUEL	TUYAU ESSENCE		
42-565A NC49-42-565B	1	HOSE, FUEL	TUYAU ESSENCE		
42-566B NC49-42-566	1	HOSE, FUEL	TUYAU ESSENCE		
42-567B NC49-42-567	1	HOSE, FUEL	TUYAU ESSENCE		
42-568 NC49-42-568A	1	HOSE, FUEL	TUYAU ESSENCE		
42-585A		JOINT	JOINT		

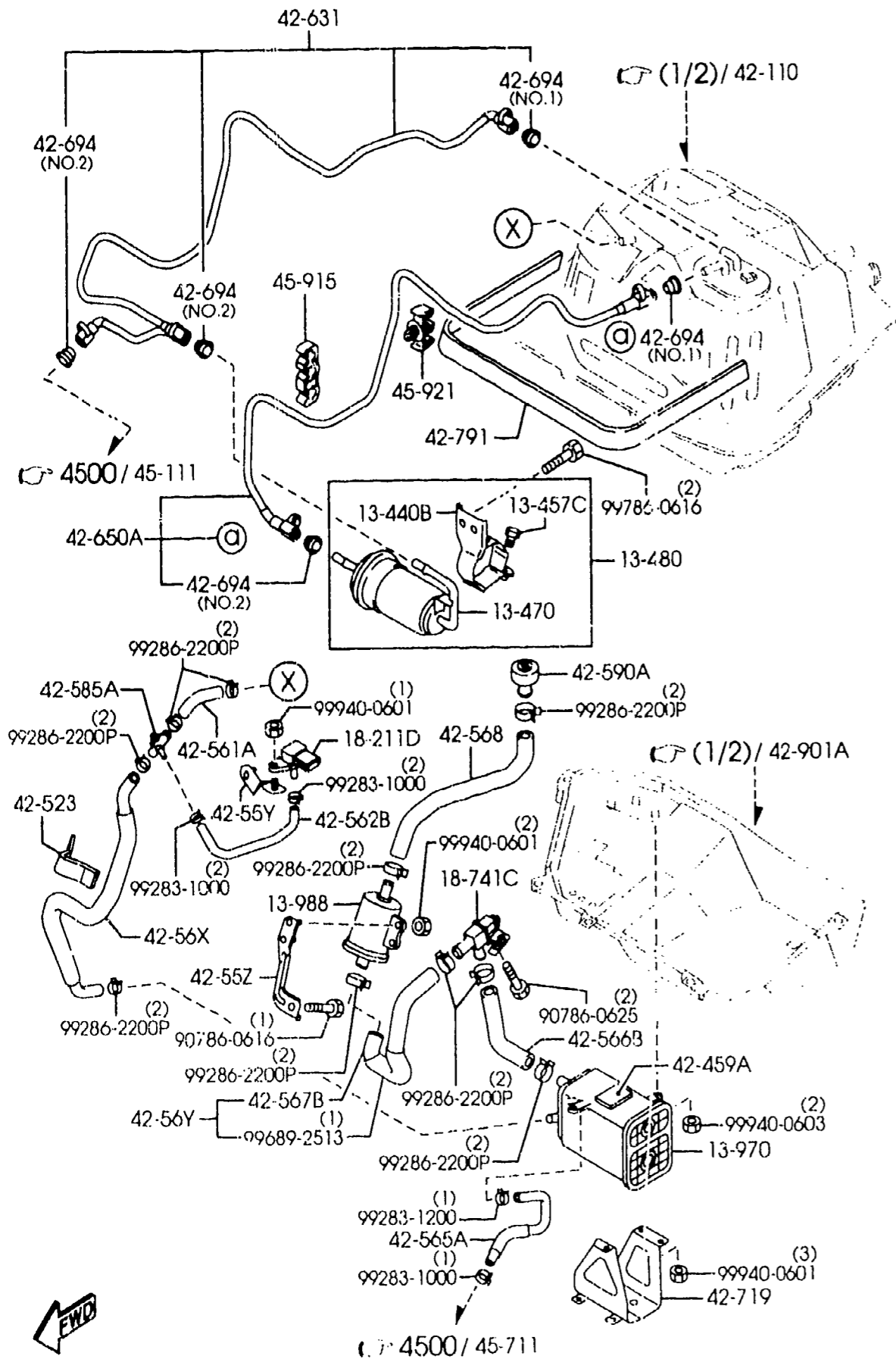
AUNA08

(1N11863)

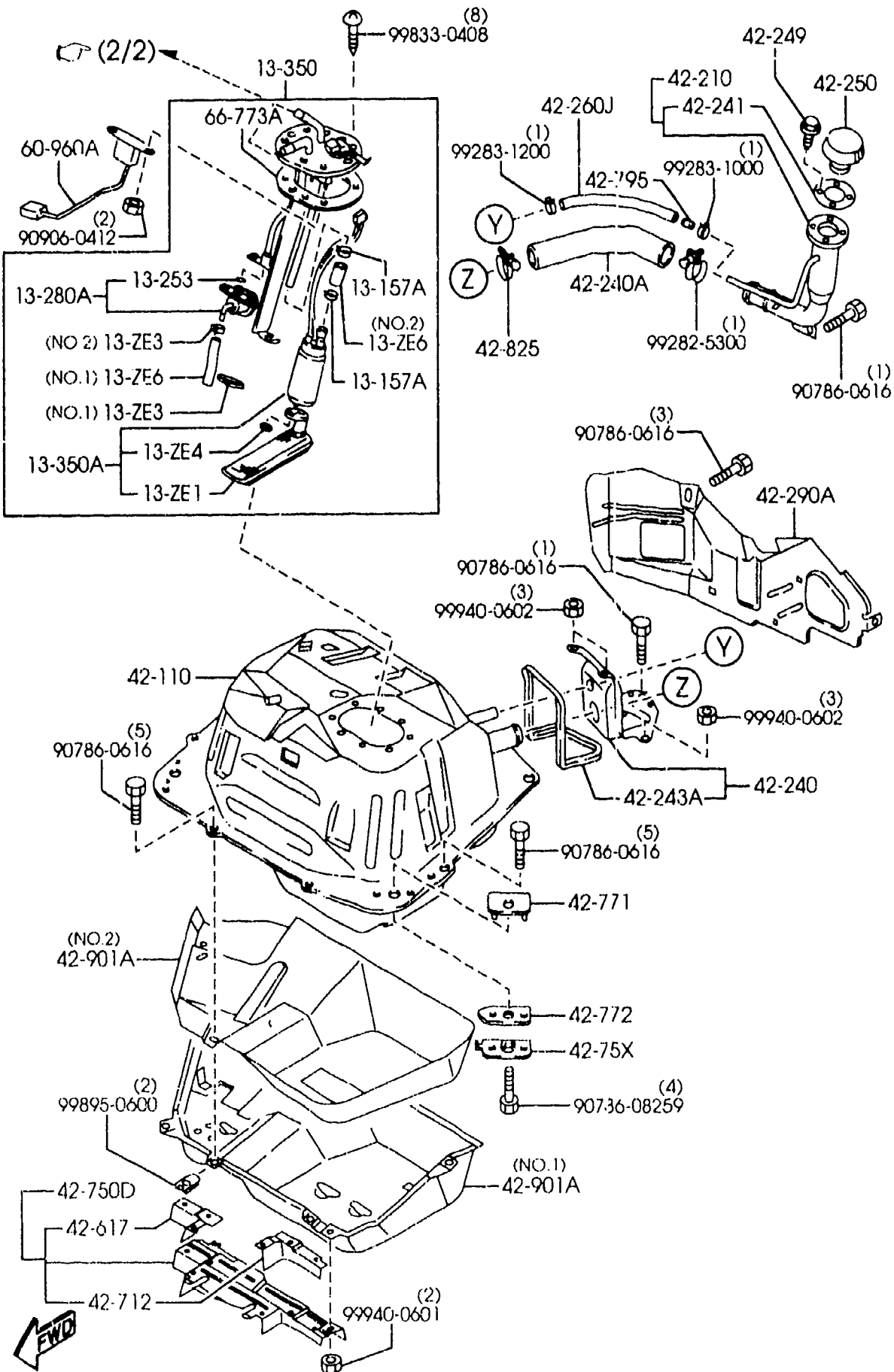
CAT. AUNA08-04

2001-12

1-K15



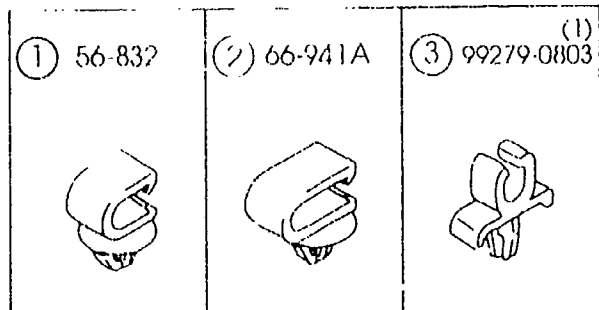
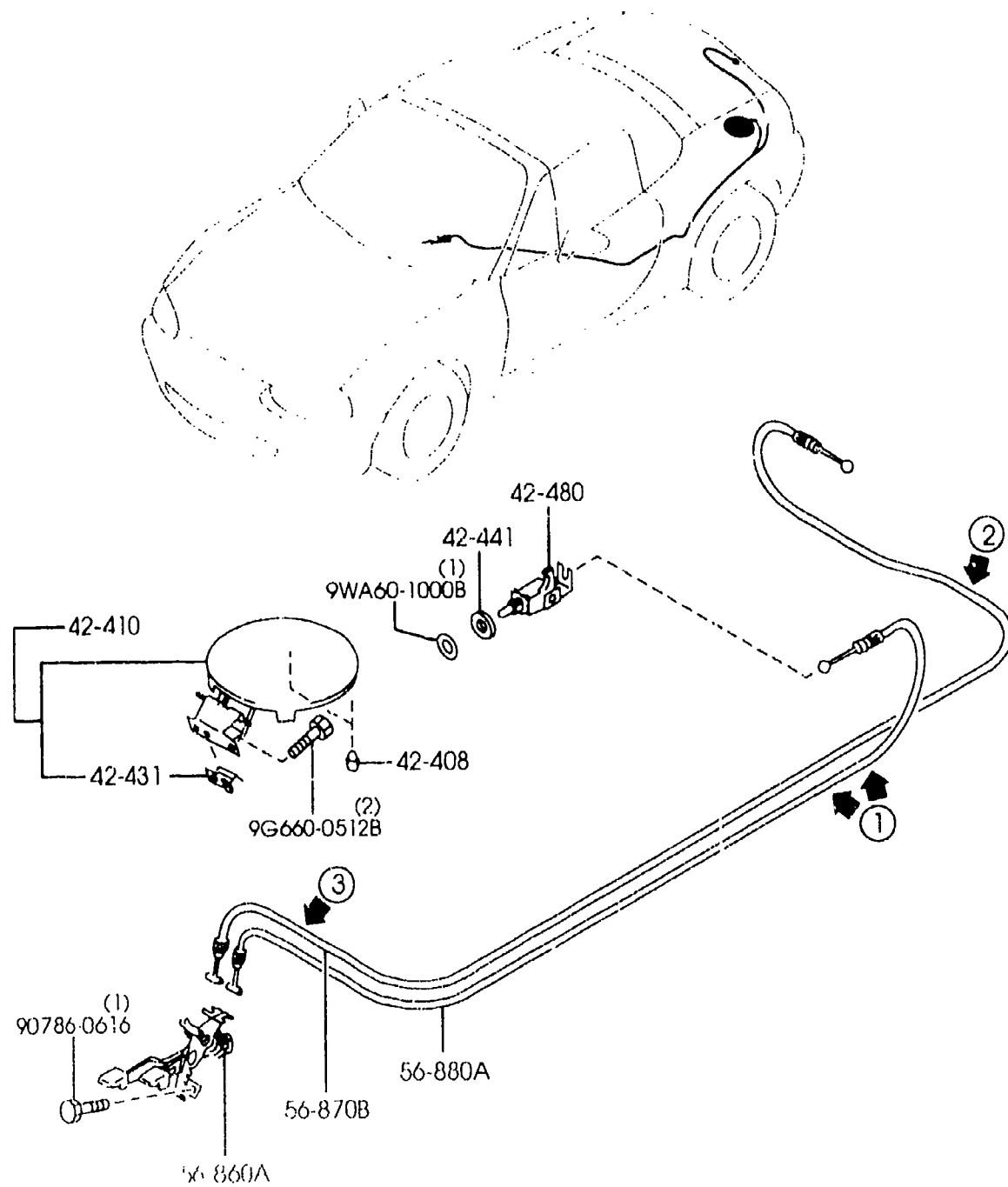
PART NO.	QTY	MODEL/RESTRICTION	MODEL/RESTRICTION	MODEL/RESTRICTION	FROM-TO
CONT'D LC62-42-585	1				
42-590A	1	CHAMBER, EVAPO. - TANK BRKT	CHAMBRE, EVAPO. - RESER V. E.		
NC49-42-590A	1				
42-617	1	PROTECTOR	PROTECTEUR		
NC10-42-756	1				
42-631	1	PIPE, FUEL MAIN	CONDUIT, ESSENCE		
NC10-42-61YH	1				
42-650A	1	PIPE, FUEL	CONDUIT, ESSENCE		
NC10-42-61XH	1				
42-694	2 (ILLUST NO.1)	RETAINER	ARRET		
NC49-42-694	2 (ILLUST. NO.2)				
T032-42-694	3				
42-712	1	PROTECTOR	PROTECTEUR		
NC10-42-755	1				
42-719	1	PROTECTOR	PROTECTEUR		
NC10-42-79X	1				
42-75X	4	REINF., FUEL TANK	RENFORT, RESERV. CARB URANT		
NC11-42-773A	4				
42-750D	1	INSULATOR, FUEL TANK	ISOLANT, RESERV. CARB URANT		
NC10-42-740A	1				
42-771	4	RUBBER (UP), MOUNT-TANK	CAOUT. (SUP), MONTAGE-RES.		
NC10-42-771	4				
42-772	4	RUBBER (LWR), MOUNT-TANK	CAOUT (INF), MONT. - RESERV.		
NA01-42-772	4				
42-791	1	PAD, FUEL TANK	ISOLATEUR, RESERVOIR ESSENCE		
NA01-42-761	1				
42-795	1	INSERT	BUSELURE		
LA01-42-795	1				



PART NO.	QTY	MODEL/RESTRICTION	MODEL/RESTRICTION	MODEL/RESTRICTION	FROM-TO
42-825		CLAMP, HOSE	COLLIER DE SERRAGE		
S05B-42-239	1				
42-901A		INSULATOR	ISOLATEUR		
NC10-42-74XC	1 (ILLUST. NO.1)				
NC10-42-743A	1 (ILLUST. NO.2)				
45-915		CLIP, PIPE	ATTACHE, CONDUCT		
NA01-45-914	1				
45-921		CLIP, PIPE	ATTACHE, CONDUIT		
B210-45-917	1				
60-960A		GAUGE, FUEL TANK	JAUGE, RESERVOIR ESSENCE		
NC10-60-960	1				
66-773A		GASKET	JOINT, JAUGE		
BP4W-60-962	1				

4210A FUEL LID OPENER

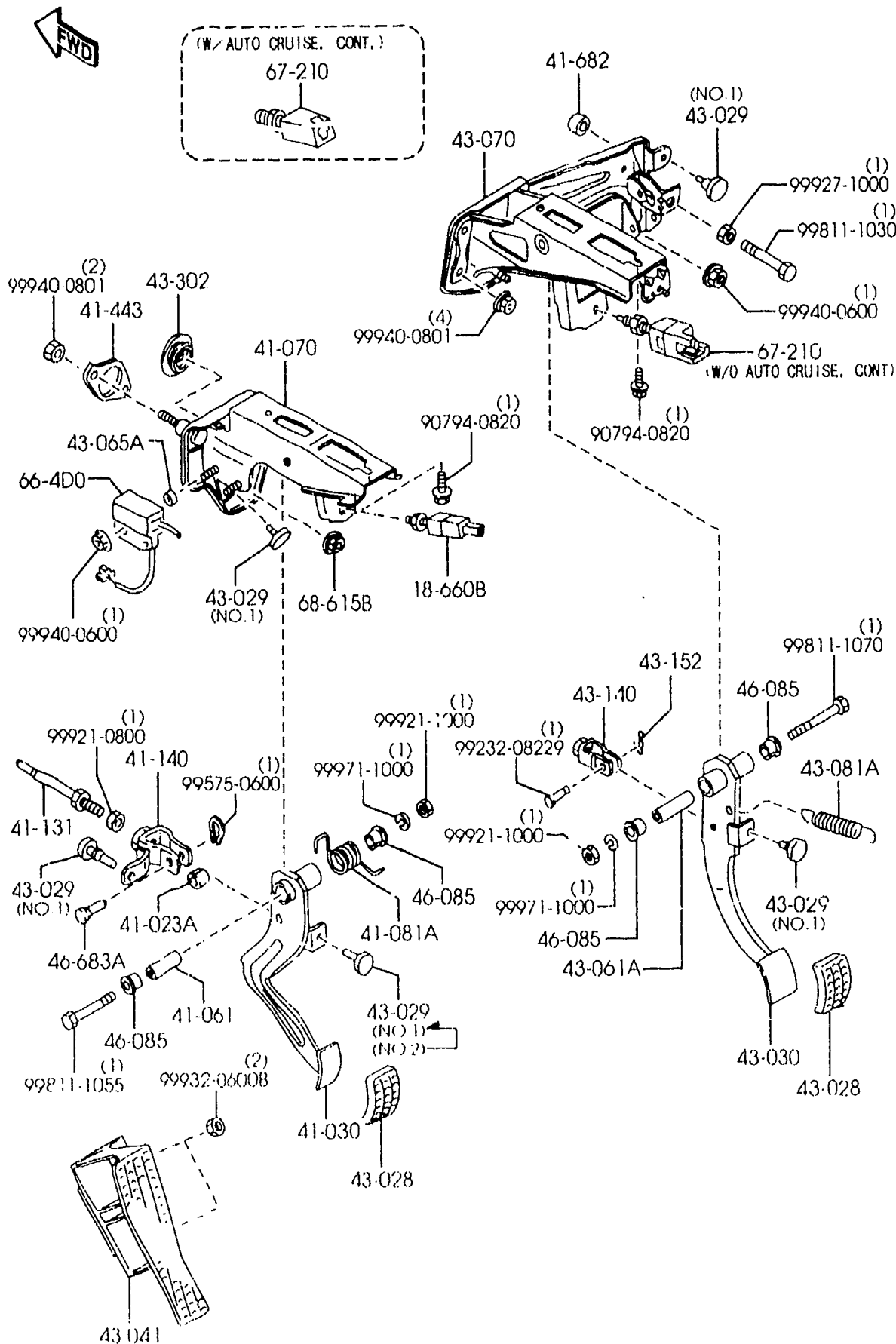
4210A -1 * FUEL LID OPENER



PART NO.	QTY	MODEL/RESTRICTION	MODEL/RESTRICTION	MODEL/RESTRICTION	FROM-TO
42-408		STOPPER, FILLER LID	BUTEE,		
01A7-70-491	2				
42-410		LID, FUEL FILLER	TRAPPE DE REMPLISSAGE CARBUR.		
NC10-42-410D	1				
42-431		SPRING LIFT, LID	RESSORT DE SOULEVEM.		
H043-42-431D	1				
42-441		WASHER, LID OPENER	RONDELLE,		
NA01-56-896	1				
42-480		OPENER, FILLER LID	OUVREUR,		
B095-56-890B	1				
56-832		CLIP 'B', OPENER CABLE	ETRIER 'B', CABLE OUVERTURE		
NC10-56-832	2				
56-860A		LEVER, OPENER	LEVIER, OUVREUR		
N067-56-860A AN(N067-56-860C)	1				-1212
N067-56-860C	1				1212-
56-870B		CABLE, T/LID OPENER	CABLE		
N067-56-870 AN(N067-56-870A)	1				-1212
N067-56-870A	1				1212-
56-880A		CABLE, F/LID OPENER	CABLE, OUVREUR TRAPPE CARBURANT		
NC10-56-880B AN(NC10-56-880C)	1				-1308
NC10-56-880C	1				1308-
66-941A		CLIP	ATTACHE		
M003-66-941	1				

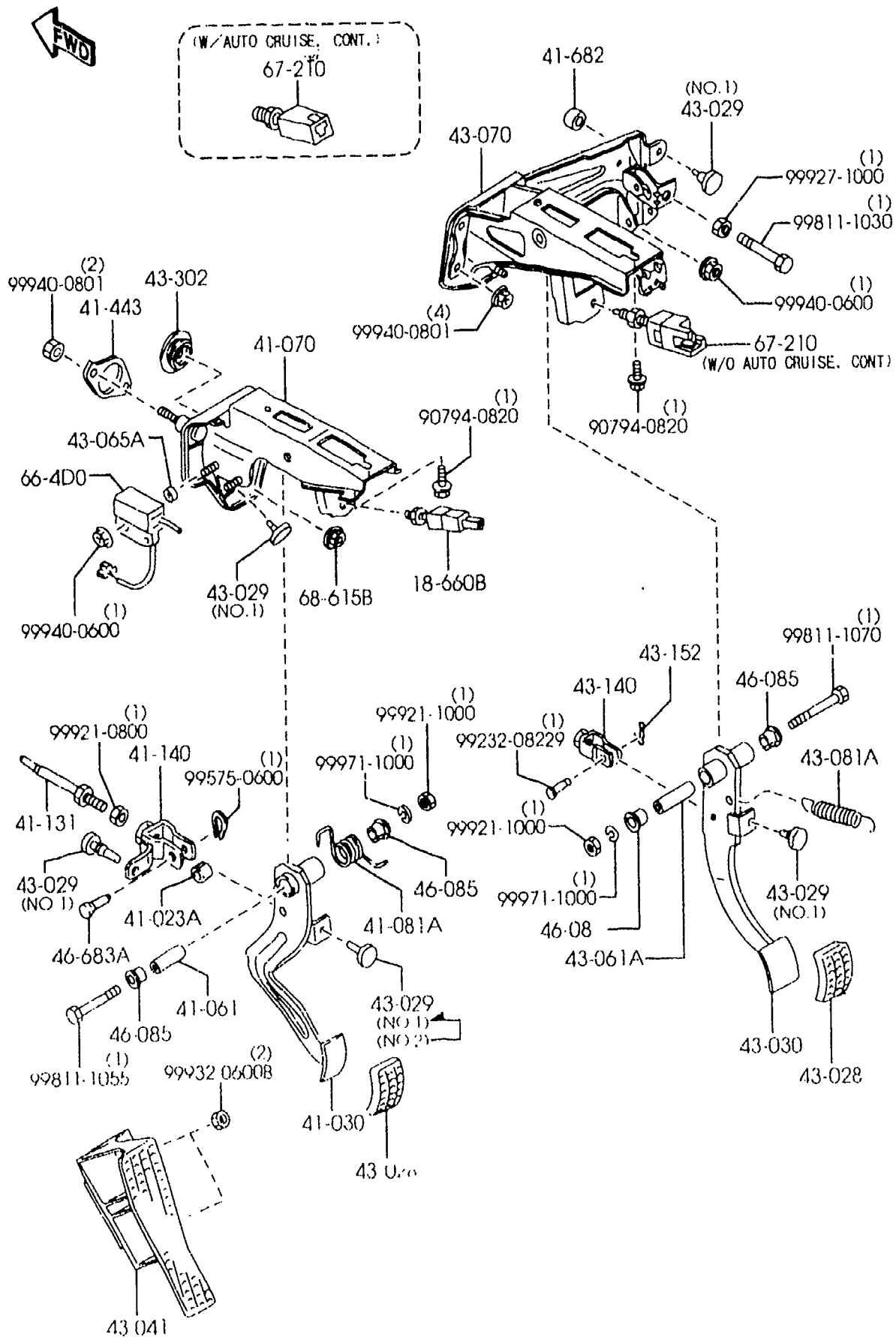
1212 NB35**-211821
1308 NB35**-214168

4300A MANUAL TRANSMISSION CLUTCH & BRAKE PEDALS



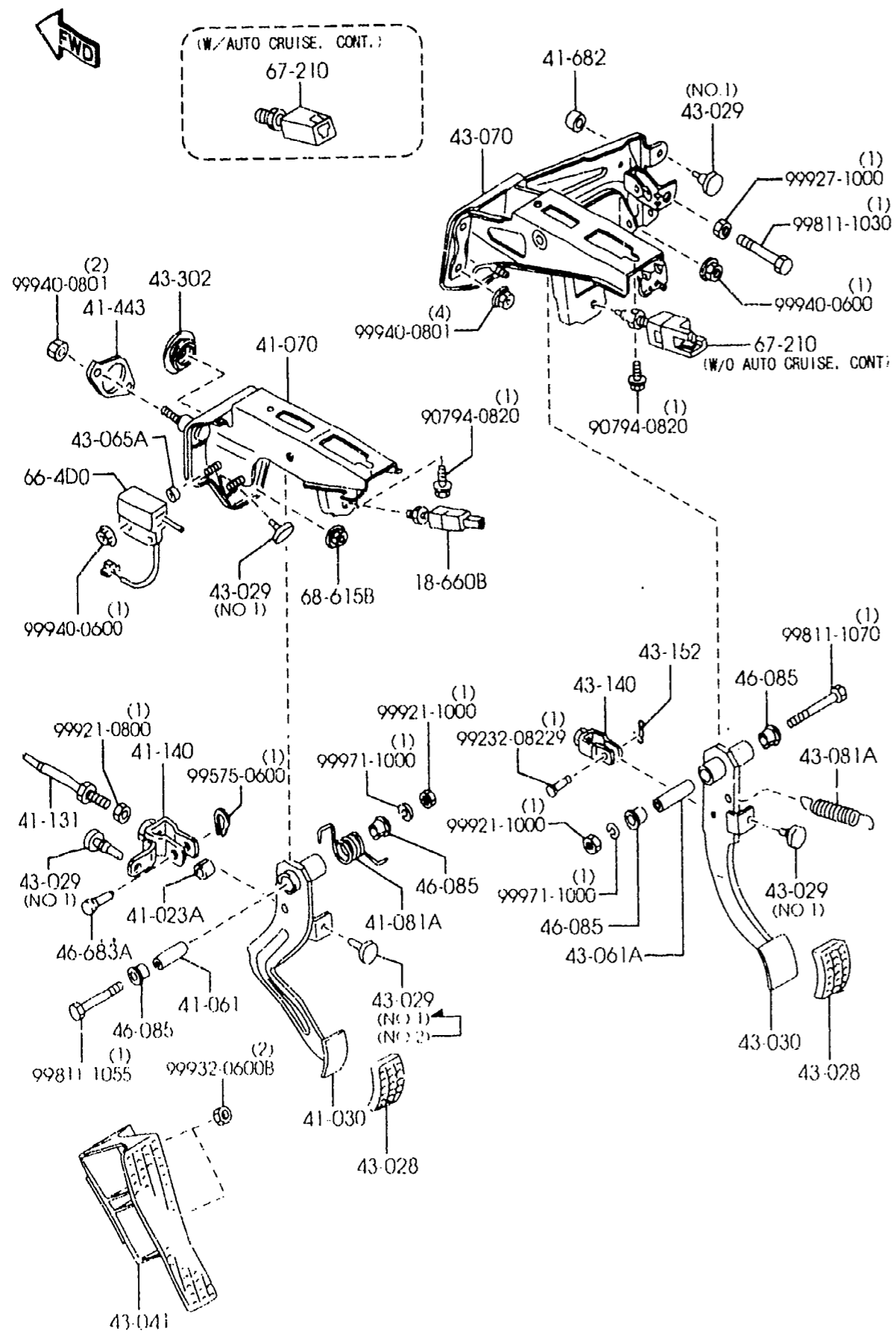
PART NO.	QTY	MODEL/RESTRICTION	MODEL/RESTRICTION	MODEL/RESTRICTION	FROM-TO
18-660B		SWITCH, CLUTCH	CONTACT, EMBRAYAGE		
LA01-66-490A	1				
41-023A		BUSH	BALAIS		
0727-41-023	1				
41-030		PEDAL, CLUTCH	PEDALE D'EMBRAYAGE		
NA01-41-030E	1	(PLASTIC)			
NC76-41-030	1	(ALMINUM)			
41-061		SPACER	RONDELLE		
0727-41-061	1				
41-070		BRACKET, MASTER CYL.	ATTACHE, MAITRE CYLINDRE		
NA01-41-070C	1				
41-081A		SPRING, RETURN	RESSORT DE RAPPEL		
BR70-41-081	1				
41-131		ROD, PUSH	POUSSOIR		
0824-41-131	1				
41-140		FORK, CLUTCH	FOURCHETTE, EMBRAYAGE		
NA01-41-140B	1				
41-443		GASKET	JOINT		
NA01-41-443	1				
41-682		RUBBER, STOP	ARRET, C.T.C.		
1456-41-682	1				
43-028		PAL PEDAL	PATIN, PEDALE		
8092-43-028	2	(PLASTIC)			
N071-43-028	2	(ALMINUM)			
43-029		RUBBER, STOPPER	BUTTOIR, C.T.C.		
B001-43-029	4	KUROISHI TEKKO (ILLUST. NO.1)	KUROISHI TEKKO		-1601
G030-43-029	1	OIRES KOGYO (ILLUST. NO.2)	OIRES KOGYO		-1601
H380-43-029	5	(ILLUST. NO.1)			1601-
1601 NB35**-219011					

4300A MANUAL TRANSMISSION CLUTCH & BRAKE PEDALS

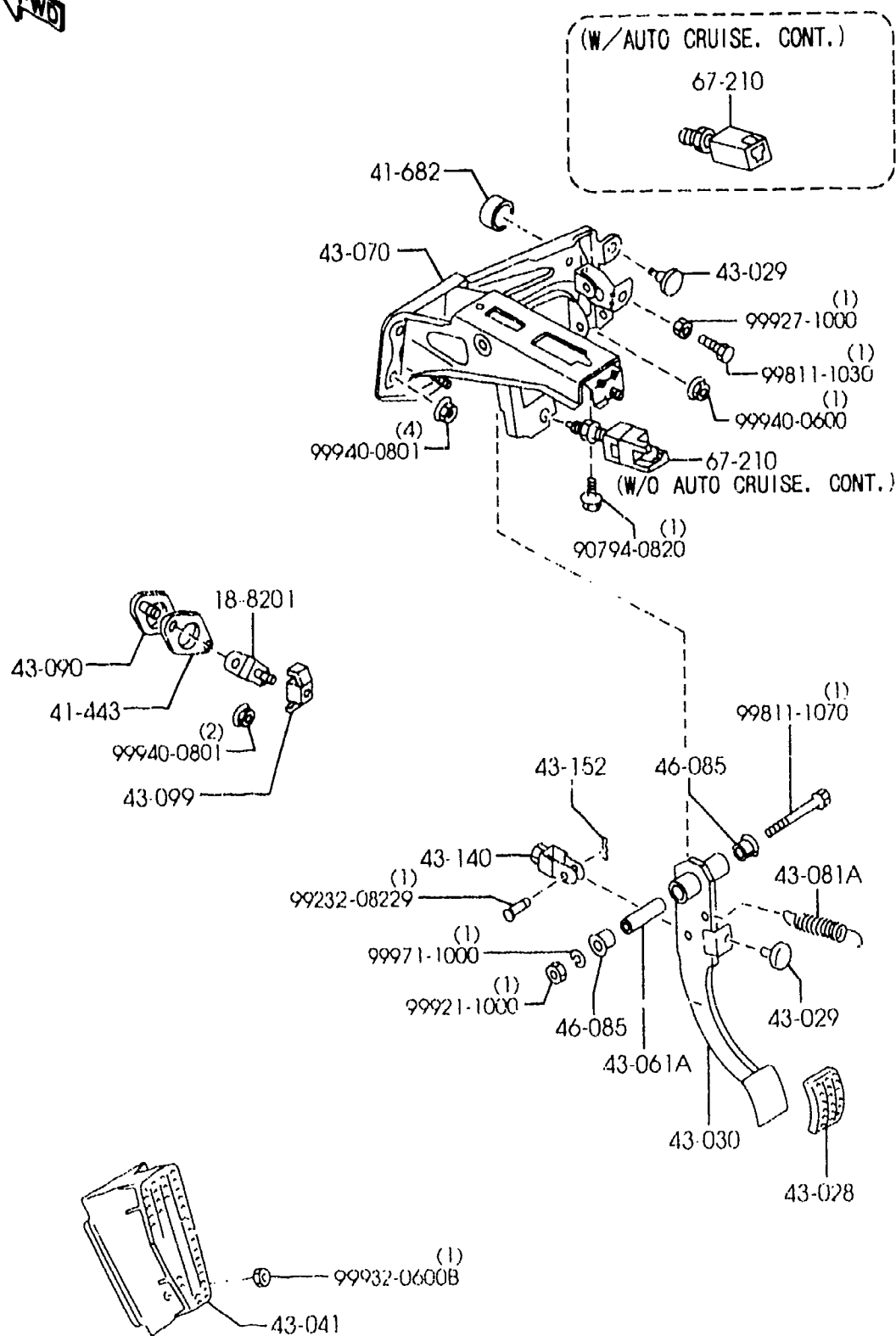


PART NO.	QTY	MODEL/RESTRICTION	MODEL/RESTRICTION	MODEL/RESTRICTION	FROM-TO
43-030		PEDAL, BRAKE	PEDALE DE FREIN		
NA01-43-030A	1	(PLASTIC)			
NC76-43-030	1	(ALMINUM)			
43-041		REST, FOOT	REPOSE-PIED		
NC72-43-041A	1	(PLASTIC)			
NC76-43-041	1	(ALMINUM)			
43-061A		PIPE, PEDAL	BUSELURE PEDALE		
0866-43-062	1				
43-065A		SPACER	RONDELLE		
BR70-43-065	1				
43-070		BRACKET, MASTER CYL.	ATTACHE, MAITRE CYLINDRE		
NA02-43-070D	1				
43-081A		SPRING, RETURN-BRAKE	RESSORT DE RAPPEL, FREIN		
B092-41-081	1				
43-140		FORK, BRAKE	FOURCHETTE DE FREIN		
1524-43-141	1				
43-152		PIN, SNAP	AXE D'ARRET		
D001-43-152	1				
43-302		GROMMET, BRAKE PEDAL	BAGUE, PEDALE FREIN		
B180-43-302	1				
46-085		BUSH	BUSELURE		
1015-46-085	1				
46-683A		PIN	CLAVETTE		
0223-46-683	1				
66-4D0		SWITCH, CLUTCH CUT	INTERRUPT. COUPE EMBRAYAGE		
FB01-66-4D0	1				
67-210		SWITCH, STOP-LAMP	INTERR., ARRET-LAMPE		
BR70-66-490A	1	(W/AUTO CRUISE CONT.)			

4300A MANUAL TRANSMISSION CLUTCH & BRAKE PEDALS



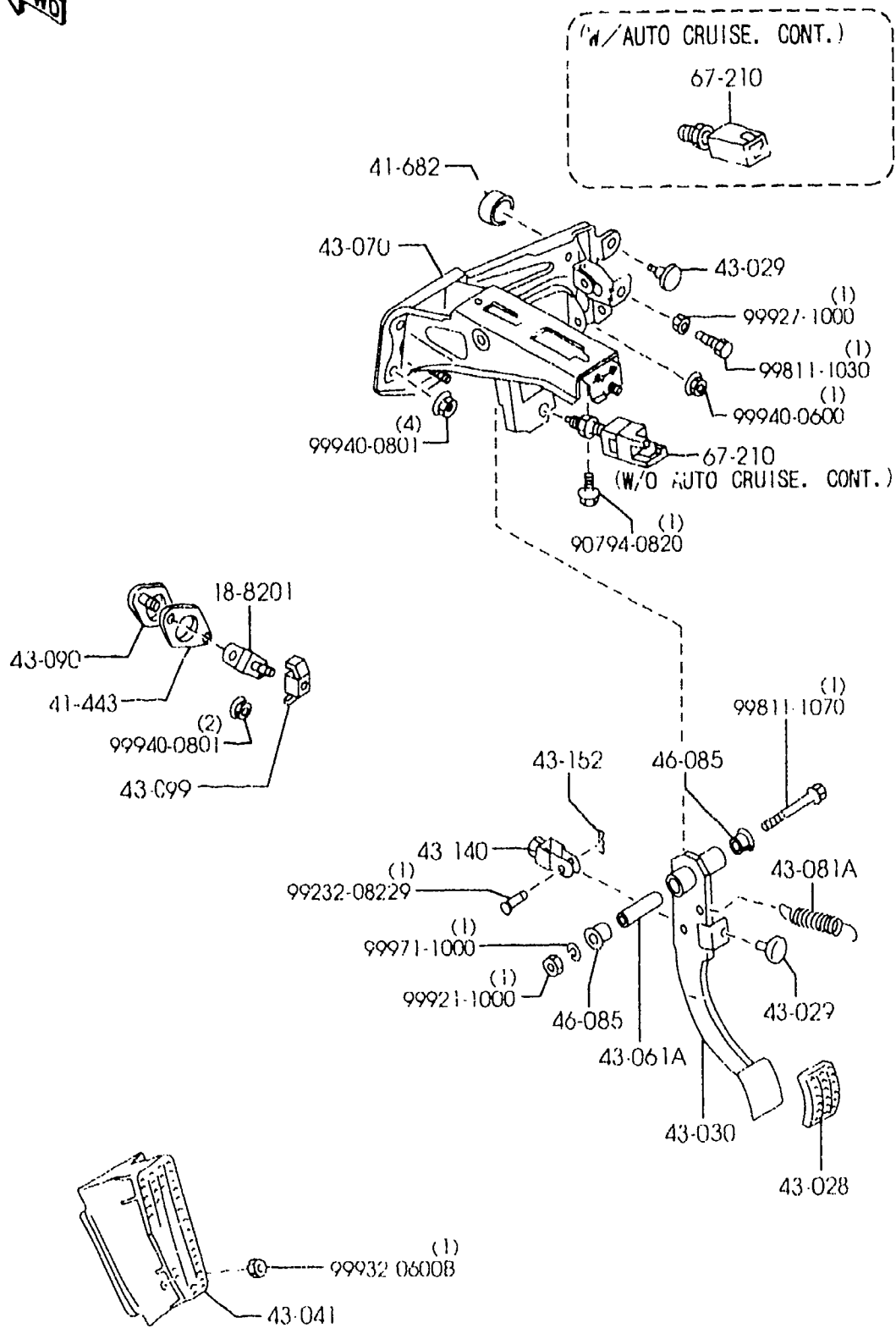
PART NO.	QTY	MODEL/RESTRICTION	MODEL/RESTRICTION	MODEL/RESTRICTION	FROM-TO
CONT'D UH71-66-490	1	(W/O AUTO CRUISE CON T.)			
68-615B	1	NUT, FLANGE-CAP	ECROU, COLLET-CHAPEAU		
B100-68-615	1				



PART NO.	QTY	MODEL/RESTRICTION	MODEL/RESTRICTION	MODEL/RESTRICTION	FROM-TO
18-8201		BRACKET, CONTROL UNIT	SUPPORT		
NA75-18-945B	1				
41-443		GASKET	JOINT		
NA01-41-443	1				
41-682		RUBBER, STOP	ARRET, C.T.C.		
1456-41-682	1				
43-028		PAD, PEDAL	PATIN, PEDALE		
0268-43-028	1				
43-029		RUBBER, STOPPER	BUTTOIR, C.T.C.		
B001-43-029	2	KUROISHI TEKKO	KUROISHI TEKKO		-1601
*H380-43-029	2				1601-
43-030		PEDAL, BRAKE	PEDALE DE FREIN		
NA03-43-030B	1				
43-041		REST, FOOT	REPOSE-PIED		
NC72-43-041A	1				
43-061A		PIPE, PEDAL	BUSELURE PEDALE		
0866-43-062	1				
43-070		BRACKET, MASTER CYL.	ATTACHE, MAITRE CYLI NDRE		
NA02-43-070D	1				
43-081A		SPRING, RETURN-BRAKE	RESSORT DE RAPPEL, FR EIN		
B092-41-081	1				
43-090		PLATE	PLAQUE		
NA03-43-090A	1				
43-099		HOLDER, PLATE	GRIFFE, PLAQUE		
HF23-43-099	1				
43-140		FORK, BRAKE	FOURCHETTE DE FREIN		
1524-43-141	1				

1601 NB35**-219011

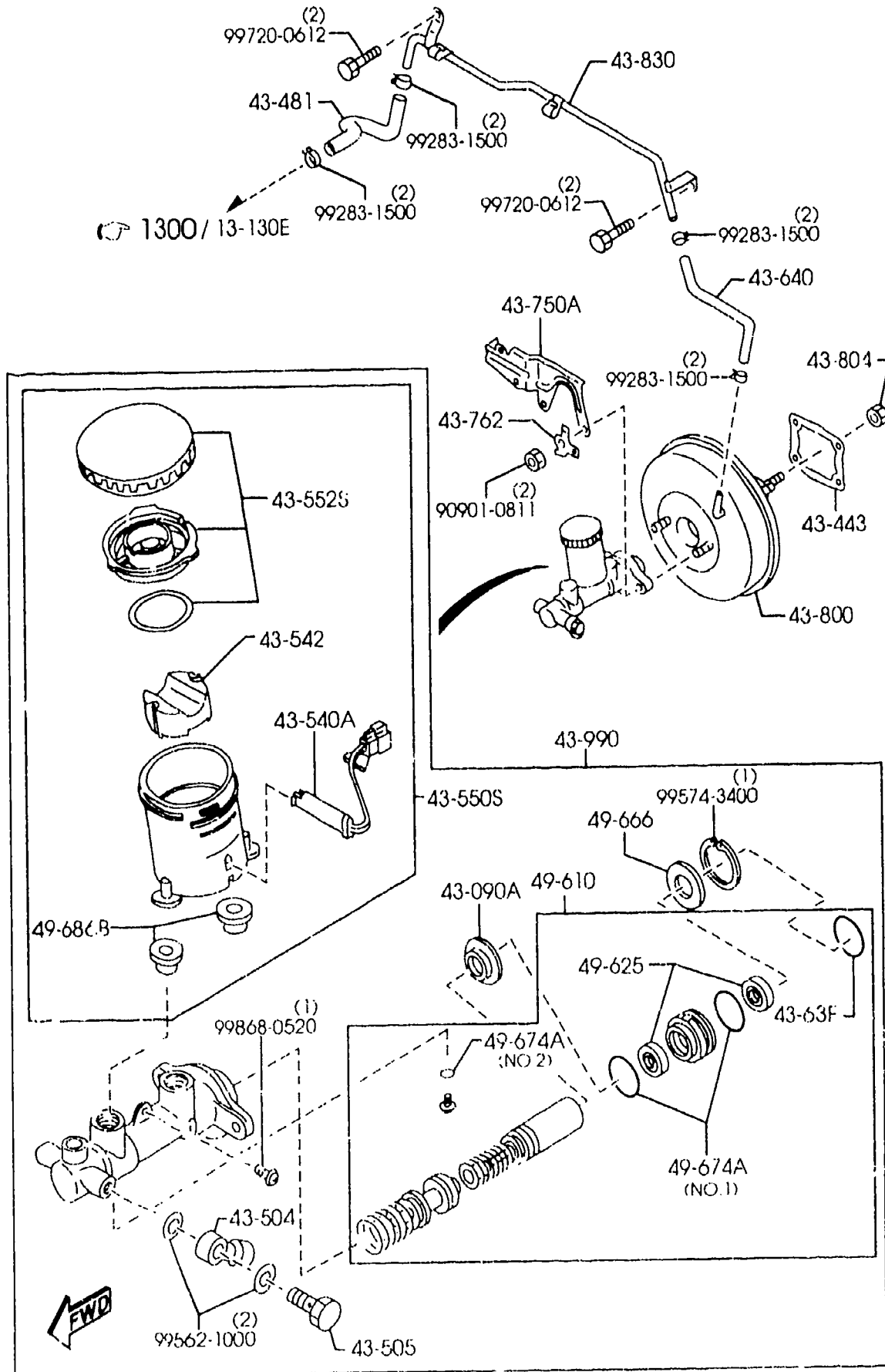
4300B AUTOMATIC TRANSMISSION BRAKE PEDAL



PART NO.	QTY	MODEL/RESTRICTION	MODEL/RESTRICTION	MODEL/RESTRICTION	FROM-TO
43-152	1	PIN,SNAP	AXE D'ARRET		
D001-43-152					
46-085	2	BUSH	BUSELURE		
1015-46-085					
67-210	1	SWITCH,STOP-LAMP	INTERR.,ARRET-LAMPE		
BR70-66-490A		(W/AUTO CRUISE CONT.)			
UH71-66-490		(W/O AUTO CRUISE CONT.)			

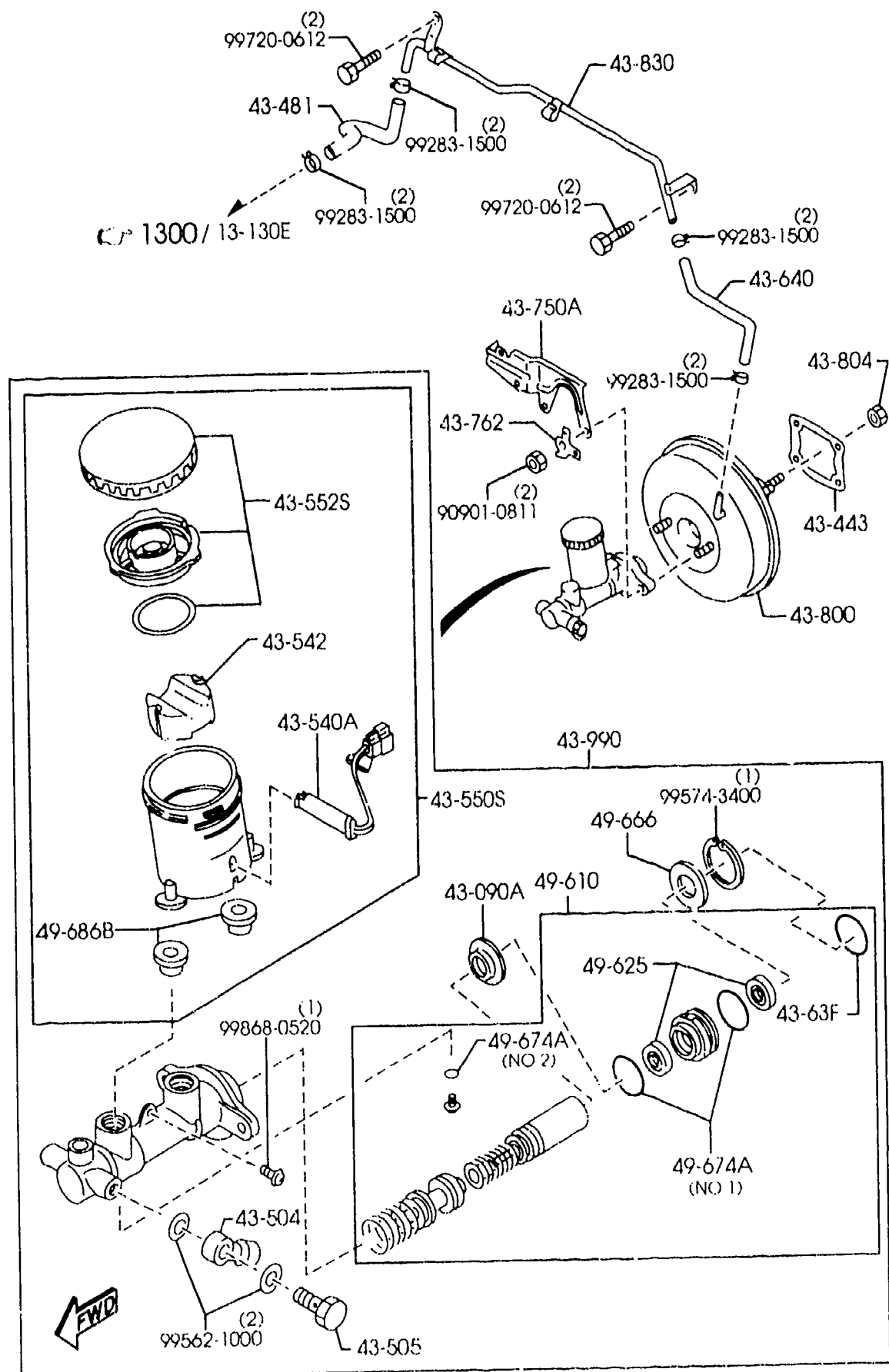
4340A BRAKE MASTER CYLINDER & POWER BRAKE
(W/O ANTILOCK BRAKE)

4340A -1 BRAKE MASTER CYLINDER & POWER BRAKE
(W/O ANTILOCK BRAKE)



PART NO.	QTY	MODEL/RESTRICTION	MODEL/RESTRICTION	MODEL/RESTRICTION	FROM-TO
43-090A	1	STOPPER	ARRETOIR		
B252-49-514	1				
43-443	1	GASKET, VAC POWER AS SIST NON ASBESTOS	JOINT NON ASBESTOS		
H001-43-443	1				
43-481	1	HOSE, VACUUM	TUYAU FLEXIBLE, VIDE		
NC10-43-481	1				
43-504	1	JOINT, PIPE	JOINT		
W023-43-504	1				
43-505	1	BOLT, CONNECTOR	BOUION		
W023-43-505	1				
43-540A	1	SENSOR, RESERVE TANK	CONTACT		
NC72-43-540A A (B01F-43-540)	1				
B01F-43-540	1				
43-542	1	FLOAT	FLOTTEUR		
3577-43-542	1				
43-550S	1	TANK SET, RESERVE	RESERVOIR ASSEMBLE, RESERVE		
NC72-43-552A	1				
43-552S	2	CAP SET, RESERVE TANK	BOUCHON RESERVOIR RE SERVE		
D001-49-550A	2				
43-63F	1	RING, 'O'	JOINT 'O'		
B2-49-512	1				
43-640	1	HOSE, VACUUM	TUYAU		
NC72-43-640	1				
43-750A	1 (NOR. SUSP)	HOLDER, P. B. VALVE	MONTURE (SUSP. NRML)		
NC72-43-750A	1 (HARD SUSP) (SPORT SUSP)		(SUSP. FERM) (SUSP. SPORTIVE)		
NC74-43-750	1				

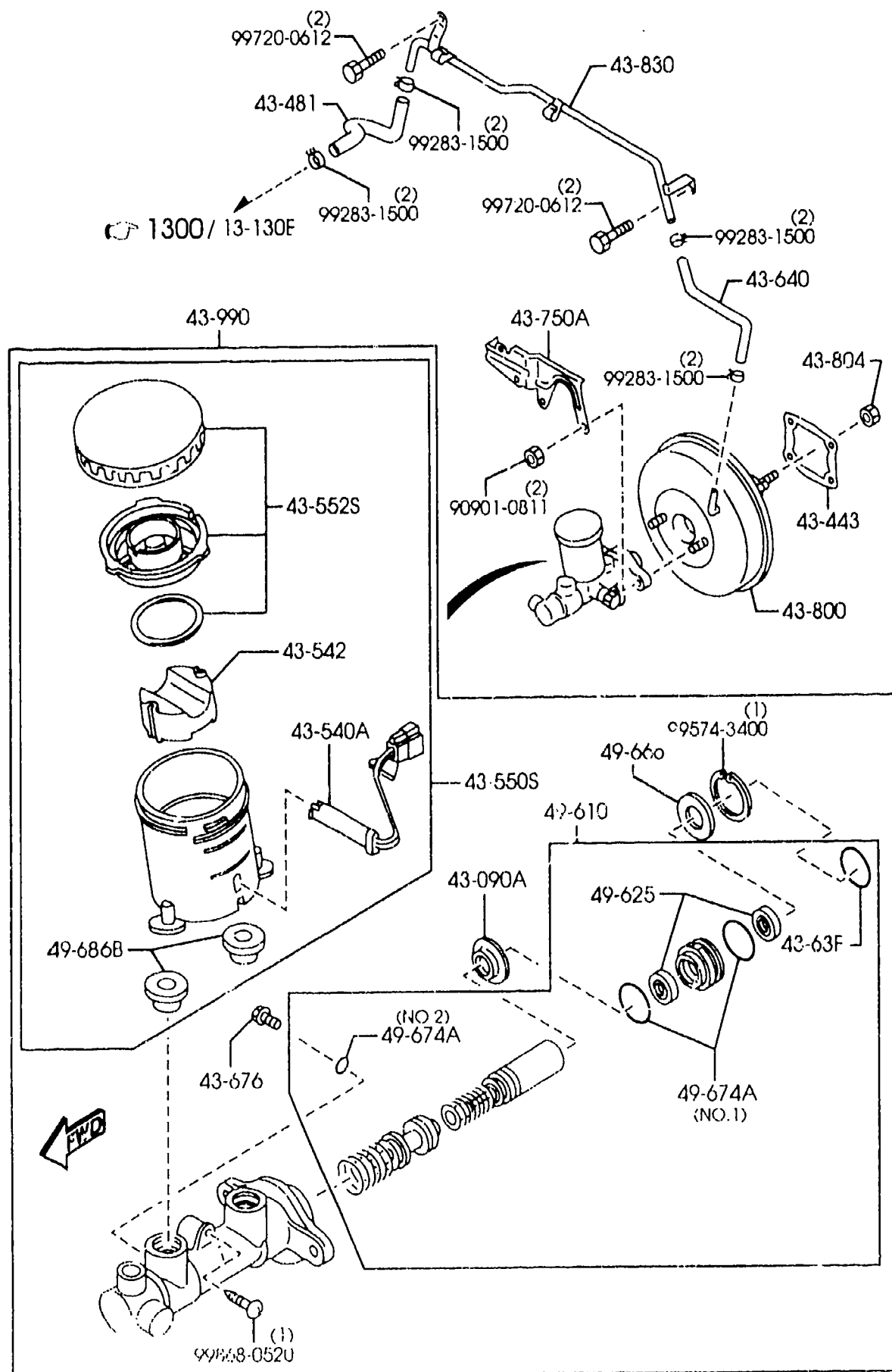
0B01 NB35)*-206344



PART NO.	QTY	MODEL/RESTRICTION	MODEL/RESTRICTION	MODEL/RESTRICTION	FROM-TO
43-762		BRACKET	SUPPORT		
GA5R-43-762	1	(HARD SUSP) (SPORT SUSP)	(SUSP.FERM) (SUSP. SPORTIVE)		
43-800		VACUUM POWER ASSIST	ASSISTANCE PAR DEPRES- SION		
N066-43-800A	1	(NOR. SUSP)	(SUSP.NRML)		
N067-43-800A	1	(HARD SUSP) (SPORT SUSP)	(SUSP.FERM) (SUSP. SPORTIVE)		
43-804		NUT	ECROU		
B01C-43-954	1	(HARD SUSP) (SPORT SUSP)	(SUSP.FERM) (SUSP. SPORTIVE)		
LC62-43-954	1	(NOR. SUSP)	(SUSP.NRML)		
43-830		PIPE,VACUUM	CONDUIT A VIDE		
NA23-43-830B	1	(W/O AUTO CRUISE CON- T.)			
NC14-43-830	1	(W/AUTO CRUISE CONT.)			
43-990		CYL.,TANDEM MASTER	MAITRE CYLINDRE, SER- VO		
NC72-43-400B	1				
49-610		PARTS KIT,INN.-BRAKE	NECESSAIRE DE REPARA- TION		
N0Y6-43-41Z	1				
49-625		CUP,SECONDARY	COUPELLE, SECONDAIRE		
NA23-43-625	2				
49-666		WASHER,STOP	RONDELLE D'ARRET		
B252-49-666	1				
49-674A		RING,'O'-MASTER CYL.	JOINT TORIQUE		
NA23-43-515	2	SHINEI KOGYO (ILLUST. NO.1)	SHINEI KOGYO		
99541-00403	1	(ILLUST. N° 2)			
49-686B		BUSH,ELBOW JOINT	BUSELURE		
F100-49-686	2				

4340AA BRAKE MASTER CYLINDER & POWER BRAKE
(W/ANTILOCK BRAKE)

4340AA-1 BRAKE MASTER CYLINDER & POWER BRAKE
(W/ANTILOCK BRAKE)

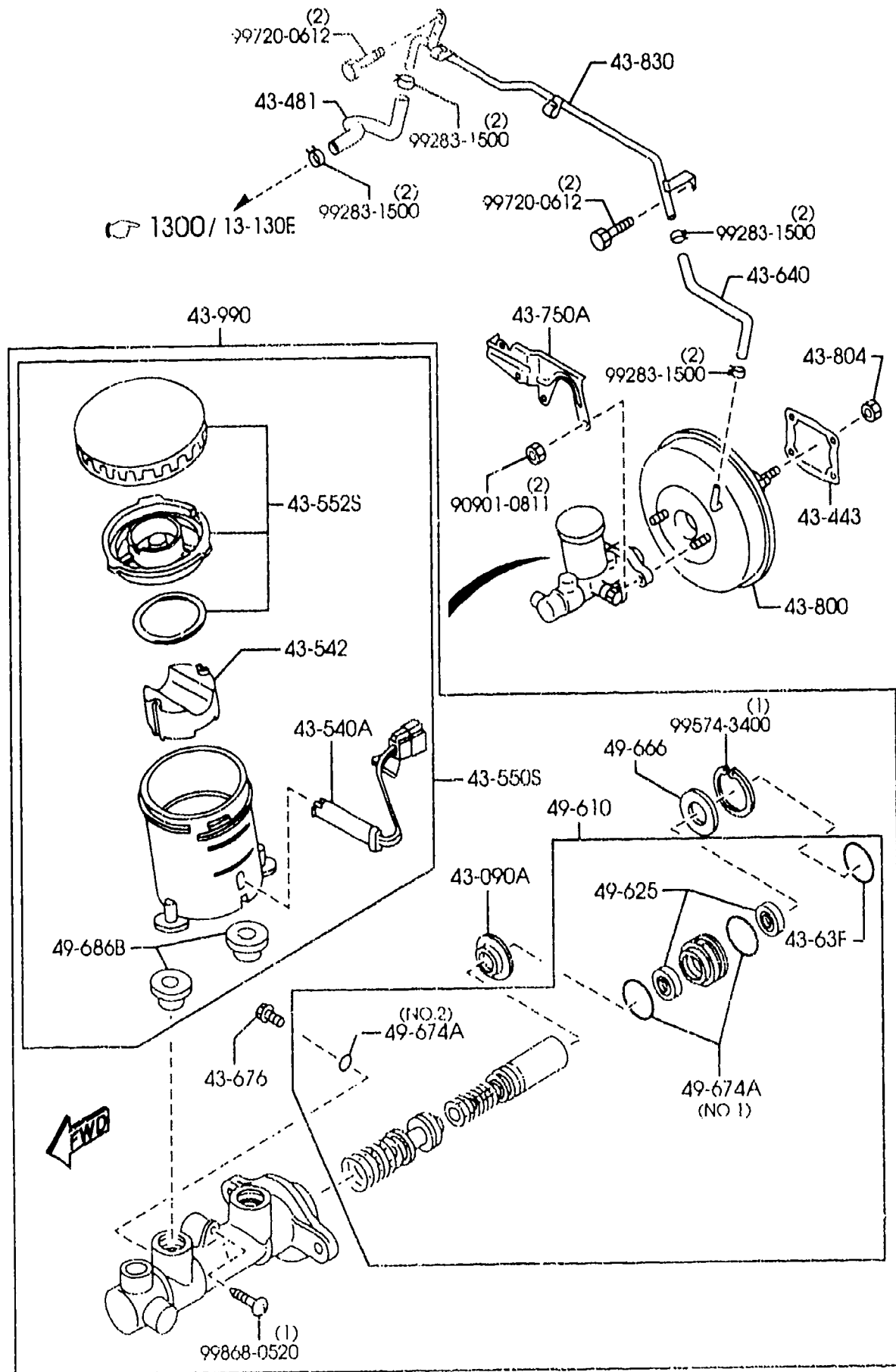


PART NO.	QTY	MODEL/RESTRICTION	MODEL/RESTRICTION	MODEL/RESTRICTION	FROM-TO
43-090A		STOPPER	ARRETOIR		
B252-49-514	1				
43-443		GASKET, VAC POWER ASSIST NON ASBESTOS	JOINT NON ASBESTOS		
H001-43-443	1				
43-481		HOSE, VACUUM	TUYAU FLEXIBLE, VIDE		
NC10-43-481	1				
43-540A		SENSOR, RESERVE TANK	CONTACT		
NC72-43-540A A (B01F-43-540)	1				-0B01
B01F-43-540	1				0B01-
43-542		FLOAT	FLOTTEUR		
3597-43-542	1				
43-550S		TANK SET, RESERVE	RESERVOIR ASSEMBLE, RESERVE		
NC78-43-55ZA	1				
43-552S		CAP SET, RESERVE TANK	BOUCHON RESERVOIR RE SERVE		
D001-49-650A	1				
43-63F		RING, 'O'	JOINT 'O'		
B252-49-512	1				
43-640		HOSE, VACUUM	TUYAU		
NC72-43-640	1				
43-676		BOLT SET	JEU DE BOULONS		
H381-43-676	1				
43-750A		HOLDER, P. B. VALVE	MONTURE		
NC74-43-750	1				
43-800		VACUUM POWER ASSIST	ASSISTANCE PAR DEPRES SION		
N069-43-800	1				
43-804		NUT	ECROU		
B01C-43-954	1				

0B01 NB35**-206344

4340AA BRAKE MASTER CYLINDER & POWER BRAKE
(W/ANTILOCK BRAKE)

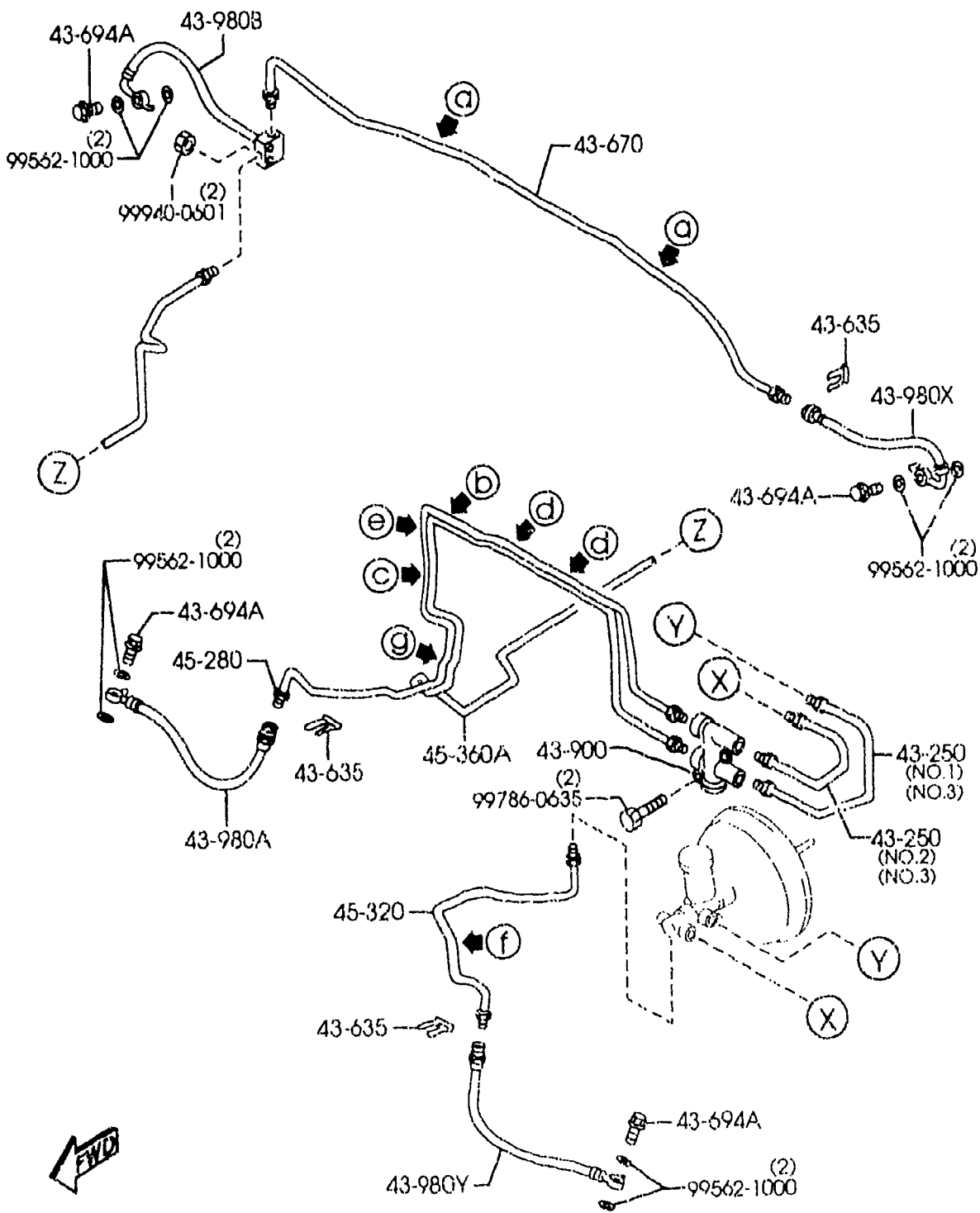
4340AA-2 * BRAKE MASTER CYLINDER & POWER BRAKE
(W/ANTILOCK BRAKE)



PART NO.	QTY	MODEL/RESTRICTION	MODEL/RESTRICTION	MODEL/RESTRICTION	FROM-TO
43-830		PIPE, VACUUM	CONDUIT A VIDE		
NA23-43-830B	1	(W/O AUTO CRUISE CONT.)			
NC14-43-830	1	(W/AUTO CRUISE CONT.)			
43-990		CYL., TANDEM MASTER	MAITRE CYLINDRE, SERVVO		
NC78-43-400B	1				
49-610		PARTS KIT, INN.-BRAKE	NECESSAIRE DE REPARATION		
NOY8-43-41Z	1				
49-625		CUP, SECONDARY	COUPELLE, SECONDAIRE		
NA23-43-625	2				
49-666		WASHER, STOP	RONDELLE D'ARRET		
B252-49-666	1				
49-674A		RING, 'O'-MASTER CYL.	JOINT TORIQUE		
NA23-43-515	2	SHINEI KOGYO (ILLUST. NO.1)	SHINEI KOGYO		
99541-00603	1	NOK (ILLUST. NO.2)	NOK		
49-686B		BUSH, ELBOW JOINT	BUSELURE		
F100-49-686	2				

4360A BRAKE PIPINGS (W/O ANTILOCK BRAKE)

4360A -1 BRAKE PIPINGS (W/O ANTILOCK BRAKE)



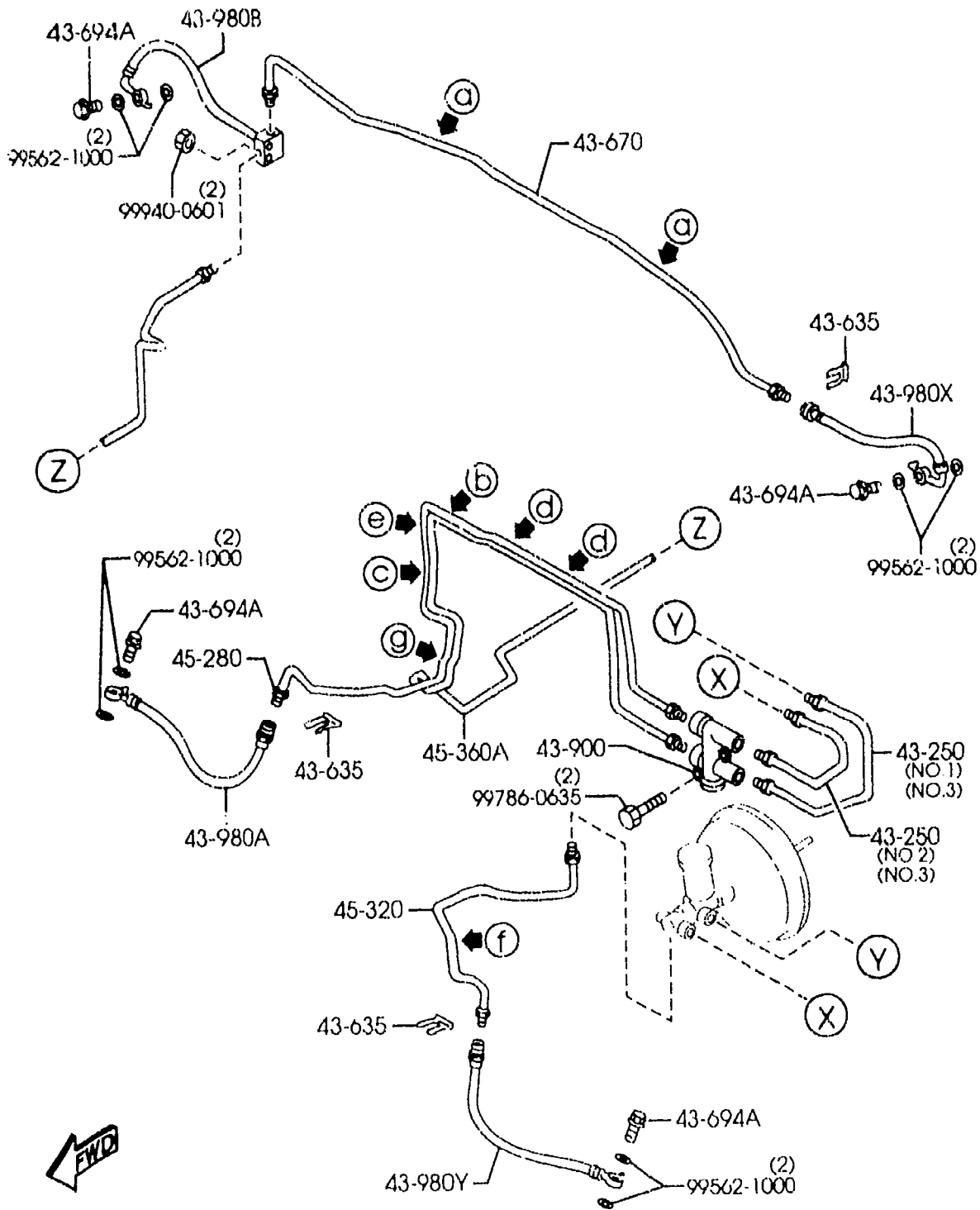
(a)	(b)	(c)	(d)	(e)	(f)	(g)
43-607	45-911C	45-915A (NO.1)	45-915A (NO.2)	45-915B	45-916	45-916B

PART NO.	QTY	MODEL/RESTRICTION	MODEL/RESTRICTION	MODEL/RESTRICTION	FROM-TO
43-250		PIPE NO.1, BRAKE-A.D.	TUYAU NO.1, FREIN-A.D.		
NC72-43-250A	1	(ILLUST. NO.1) (HARD SUSP) (SPORT SUSP)	(SUSP. FERME) (SUSP. SPORTIVE)		-0801
NC72-43-250A	2	(ILLUST. NO.3) (NOR. SUSP)	(SUSP. NRML)		
NC74-43-250A AN(NC74-43-250B)	1	(ILLUST. NO.2) (HARD SUSP) (SPORT SUSP)	(SUSP. FERME) (SUSP. SPORTIVE)		0801-
NC74-43-250B	1	(ILLUST. NO.2) (HARD SUSP) (SPORT SUSP)	(SUSP. FERME) (SUSP. SPORTIVE)		
43-607		CLIP, RR BRAKE PIPE	COLLIER, TUYAU FREIN		
G309-43-607	2				
43-635		CLIP, FLEXIBLE HOSE	ATTACHE, CONDUIT FLEXIBLE		
W023-43-635A	3				
43-670		PIPE, BRAKE-REAR	CONDUIT, FREIN ARRIERE		
HA01-43-670C	1				
43-694A		BOLT, CONNECTOR	BOULON		
B001-43-694A	4				
43-900		VALVE, DUAL PROPORTIONING	SOUPAPE		
NC10-43-900A	1				
43-980A		HOSE(R), FLEXIBLE-FRT	FLEXIBLE(D), FLEX. AVANT.		
NA75-43-810A	1	(NOR. SUSP)	(SUSP. NRML)		
N067-43-810	1	(HARD SUSP) (SPORT SUSP)	(SUSP. FERME) (SUSP. SPORTIVE)		
43-980B		HOSE(R), FLEXIBLE-RR	FLEXIBLE(D), FLEX. ARRIERE		
NA75-43-980A	1				
43-980X		HOSE(L), FLEXIBLE-RR	FLEXIBLE(G), FLEX. ARRIERE		
NA75-43-990A	1				
43-980Y		HOSE(L), FLEXIBLE-FRT	FLEXIBLE(G), FLEX. AVANT.		
NA75-43-820A	1	(NOR. SUSP)	(SUSP. NRML)		
N067-43-820	1	(HARD SUSP) (SPORT SUSP)	(SUSP. FERME) (SUSP. SPORTIVE)		

0801 NB35**206344

4360A BRAKE PIPINGS
(W/O ANTILOCK BRAKE)

4360A -2 * BRAKE PIPINGS
(W/O ANTILOCK BRAKE)



(a)	(b)	(c)	(d)	(e)	(f)	(g)
43-607	45-911C	45-915A (NO.1)	45-915A (NO.2)	45-915B	45-916	45-916B

PART NO.	QTY	MODEL/RESTRICTION	MODEL/RESTRICTION	MODEL/RESTRICTION	FROM-TO
45-280 NC72-45-280	1	PIPE(R),BRAKE-FRONT	CONDUIT (D), FREIN A VANT		
45-320 NC72-45-320	1	PIPE(L),BRAKE-FRONT	CONDUIT (G), FREIN A VANT		
		(NOR. SUSP)	(SUSP.NRML)		
		(HARD SUSP) (SPORT SUSP)	(SUSP.FERM) (SUSP.SPORTIVE)		
45-360A NC72-45-360A	1	PIPE,BRAKE-REAR	CONDUIT, FREIN ARRIERE		
45-911C NA01-45-911	1	CLIP,PIPE	ATTACHE,CONDUIT		
45-915A HG31-45-913	1	HOLDER,PIPE	PORTE,TUYAU		
		(ILLUST. NO.1)			
		(ILLUST. NO.2)			
45-915B NA01-45-915A	1	HOLDER,PIPE	PORTE,TUYAU		
45-916 BC1D-45-916	1	HOLDFR,PIPE	SUPPORT,PIPE		
45-916B HG31-45-916	1	HOLDER,PIPE	PORTE,TUYAU		